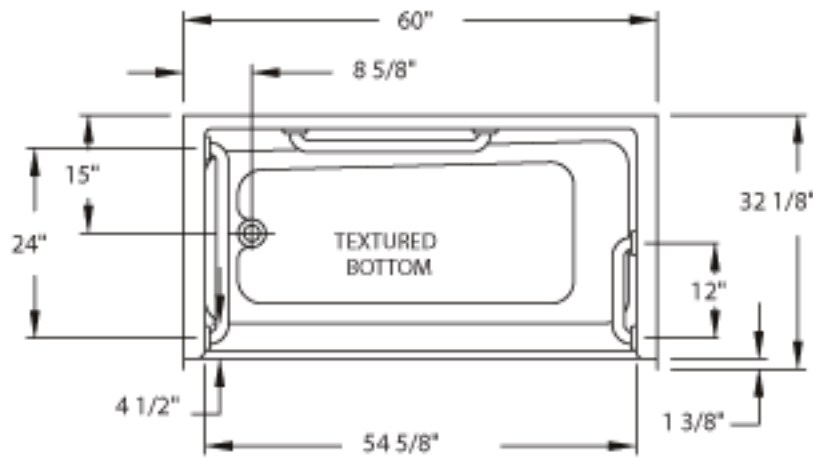
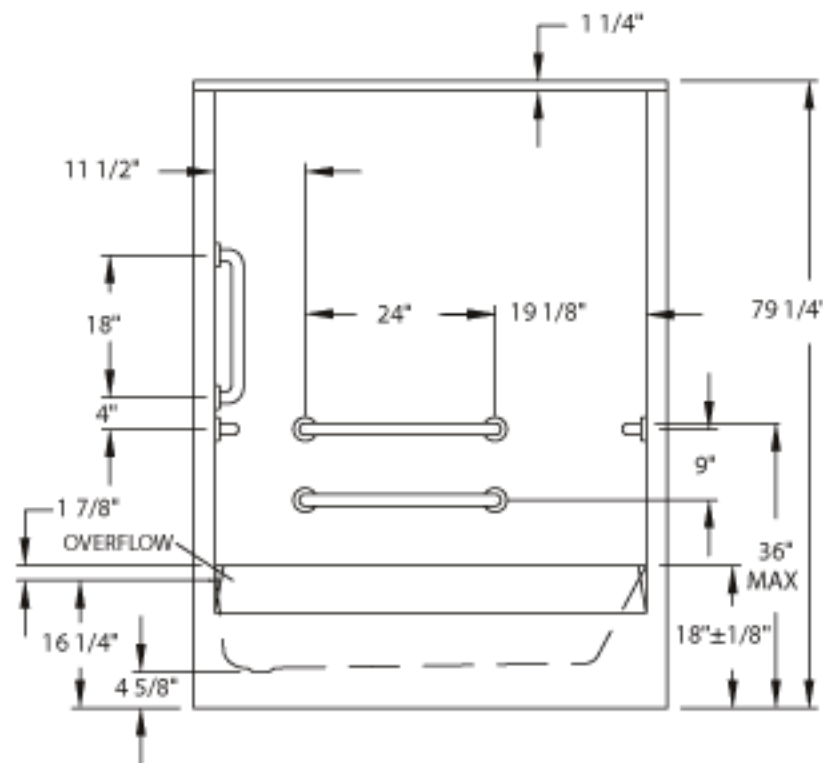


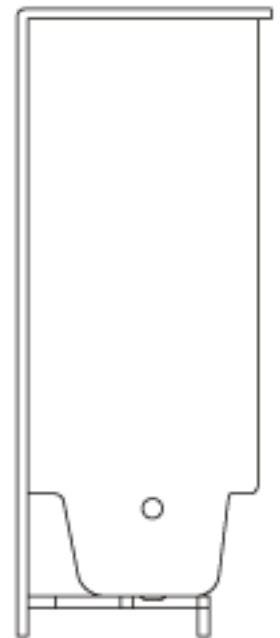
INFORMATION IN THIS DRAWING IS SUBJECT TO CHANGE WITHOUT NOTICE. NO PART OF THIS DRAWING MAY BE REPRODUCED OR TRANSMITTED IN ANY FORM OR BY ANY MEANS, ELECTRONIC OR MECHANICAL, FOR ANY PURPOSE WITHOUT THE WRITTEN PERMISSION OF AQUA GLASS CORPORATION.



TOP VIEW



FRONT VIEW



SIDE VIEW

TOLERANCE: ±1/4	GAL. TO OVERFLOW:	GENERAL NOTES BATHING WELL DIM. TOP 52 1/2" X 21 5/8" BOTTOM 45 5/8" X 18 3/8"
REV: H	OPERATING CAPACITY:	
ECO NO.: 3132	DRAWN BY: C GOOCH	
ECO DATE: 6/11/10	FIN. INTERIOR:	

AQUA GLASS®
320 INDUSTRIAL PARK RD.
ADAMSVILLE, TN 38310

PRODUCT OR PART NO.:
836033C-R/L
PRODUCT NAME
**DESIGNER
GELCOAT
SPECIAL CARE**