



## Hose & Supply Boxes 8180 Series

Stainless Steel Recessed Supply and Waste Hose Box



8185

Fixture May Show Some Available Options

Please visit [www.acorneng.com](http://www.acorneng.com) for most current specifications.

### Stainless Steel Recessed Supply and Waste Hose Box

**Stainless Steel Recessed Supply and Waste Hose Boxes** are designed for attractive service in homes and institutions for washing machine supply and waste. In hospitals, they are used with heart-lung, laser, and similar machines. In these applications, the water is used for heating or cooling and then discharged into the drain. Recessed design prevents accidents which are common to surface-mounted boxes or protruding hose valves.

**Hose Box** is fabricated from 18 gage, type 304 stainless steel and all seams are continuous welded. Interior is polished to a satin finish. Four stainless steel clips are furnished for anchoring to the wall construction. Wall flange is 16 gage stainless steel and polished to a satin finish. Flange is furnished with four corner tappings and screws for anchoring to box.

**Valve and Stop Body** is cast bronze with exposed parts chrome-plated, optionally available in cast stainless steel with a rough finish and meets lead free requirements where the wetted surface of this product contacted by water contains less than 0.25% lead. Valve and Stop feature tamper-resistant lockshield bonnets and replaceable cartridges containing all wearing parts including the seat. The body casting is gasketed where it joins the box and is securely anchored with stainless steel tamper-resistant screws. Supply inlet is 3/4" NPT female. Outlet is 3/4" male hose thread.

**Waste Fitting** is cast bronze with rough chrome finish and is securely bolted to the box. It will slip 2" SPS and is furnished with Permaseal for waterproofing. The waste piping must include P-trap and be vented in accordance with local code.

**Screwdriver Stop** in supply permits servicing the control valve without shutting down the water supply. Vacuum breaker models prevent contamination of the potable water supply. Vacuum breakers are atmospheric type and conform to the requirements of ASSE Standard 1011. Check local code authority for vacuum breaker requirements.

#### GUIDE SPECIFICATION

Provide and install Acorn Recessed Supply and Waste Hose Box model (specify model number). Box shall be fabricated from 18 gage, type 304 stainless steel with satin finish. Valve shall be cartridge-operated type with vandal-resistant lockshield and screwdriver operated stop.

# Hose & Supply Boxes 8180 Stainless Steel Recessed Supply and Waste Hose Box



**BASE MODEL NUMBER (Must Specify)**

**PRODUCT OPTIONS**

**STAINLESS STEEL RECESSED HOSE BOX SINGLE TEMP**

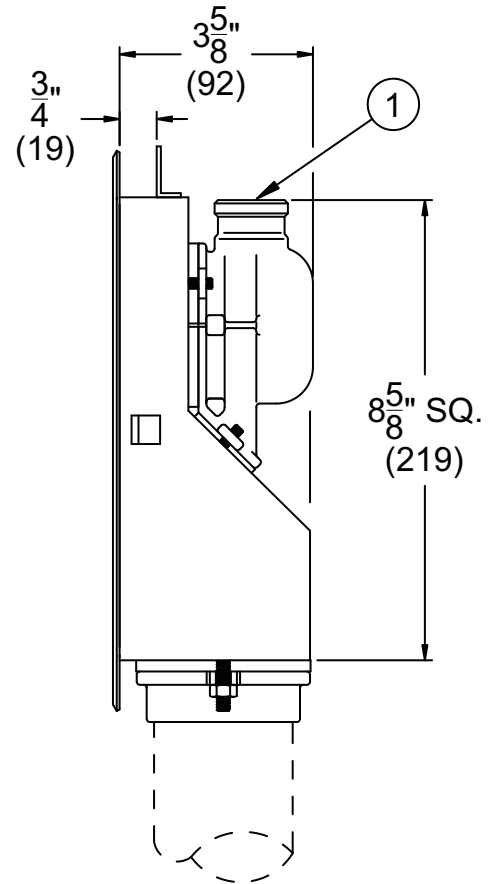
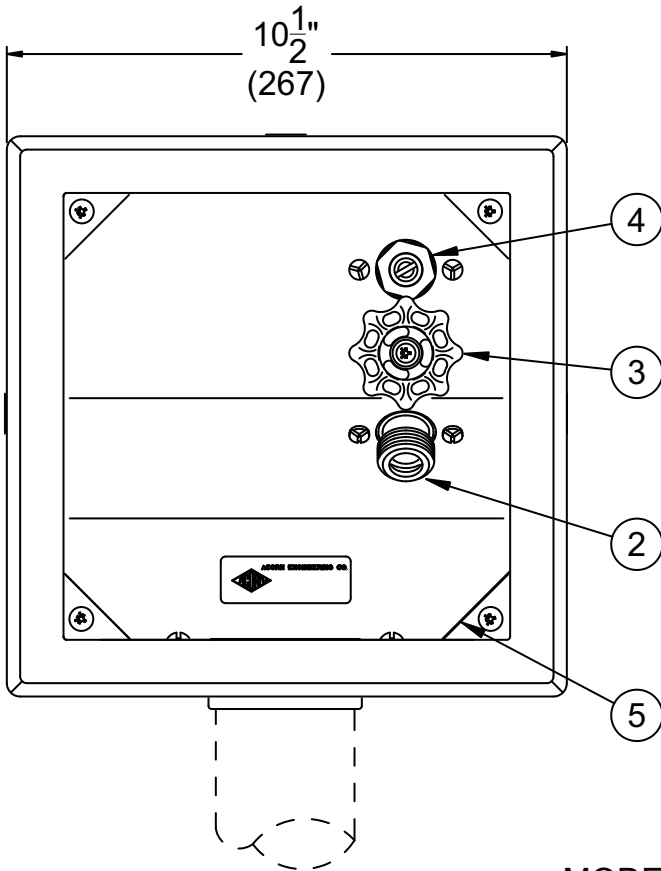
-SSLF    Stainless Steel Lead Free

- 8180    Single Temperature Less Vacuum Breaker
- 8181    Single Temperature With Vacuum Breaker

**STAINLESS STEEL RECESSED HOSE BOX HOT AND COLD**

- 8185    Hot & Cold Less Vacuum Breaker
- 8186    Hot & Cold With Vacuum Breaker

Please visit [www.acorneng.com](http://www.acorneng.com) for most current specifications.



MODEL# 8180

**NOTES:**

1. Supply Connection.
2. Hose Connection.
3. Wheel Handle (Removable).

4. Screwdriver Stop.
5. Anchor Clips.

<p><b>Important:</b> Installation instructions and current rough-in are furnished with each fixture. Do not rough in without certified dimensions. Dimensions are subject to manufacturer's tolerance of plus or minus 1/4" and change without notice. Acorn assumes no responsibility for use of void or superseded data. © Copyright 2006 Acorn Engineering Company</p>	
<p style="text-align: center;">Selection Summary</p> <p>Model No. &amp; Option _____</p> <p>Quantity _____</p>	<p style="text-align: center;">Approved for Manufacturing</p> <p>Company _____ Title _____</p> <p>Signature _____ Date _____</p>