

Model S0420

Wall Mounted Eye/Face Wash, Plastic Bowl



SPECIFICATIONS:

Model S0420 is a wall mounted eye/face wash with a plastic bowl, ABS plastic eye/face wash spray heads, an inline strainer and a stay-open 1/2" ball valve with a push handle.

STANDARD EQUIPMENT:

Spray Head Assembly: ABS yellow plastic eye/face wash heads with integral flip dust covers, internal flow controls and filters to remove debris from the water. An anti-microbial agent is molded into the ABS material, providing integrated protection.

Valve: 1/2" NPT chrome plated brass stay-open ball valve with a stainless steel push handle and a 50 mesh inline strainer.

Water Supply: 1/2" NPT female threaded, chrome plated brass inlet.

Waste: Chrome plated brass, 1-1/4" OD tailpiece.

Bowl: Yellow, ABS plastic 11-3/4" diameter bowl.

Mounting: 11 gage galvanized steel wall bracket with a yellow powder coated finish.

Universal Sign: ANSI compliant, vertical identification sign.

Weekly Test Tag: A water proof test card to record the date and inspector's name for weekly functional testing of the unit.

Model: S0420



OPTIONAL ACCESSORIES:

Additional costs may be incurred

- BF Barrier free, handicap accessible
- FLW2 Flow switch, single pole
- FPV Freeze protection valve
- LWB Less wall bracket
- MS1 MAP (magnetically actuated proximity) switch, for one (1) actuator
- PT1 P-trap, chrome plated brass with 1-1/4" OD waste outlet
- SDC Stainless steel dust covers
- SPV Scald protection valve
- SV2 Stainless steel ball valve
- TMV8 Thermostatic mixing valve is ASSE Listed per the ASSE 1071 standard. The tepid output water complies with ANSI Z358.1 standard.
- "1" Auxiliary hand-held drench hose with a self-closing valve (Use model S0421)



Member of
U.S. Green
Building Council

Acorn Safety assumes no responsibility for use of void or suspended data. © Copyright 2010 Acorn Safety, City of Industry, CA, A Division of Acorn Engineering Company. Please visit www.acornsafety.com for most current specifications.

Submittal # **S0420**
[EW] Rev. B 9/1/10

Product carries the following certifications:



Test rating conditions are compliant to ANSI Z358.1-2009



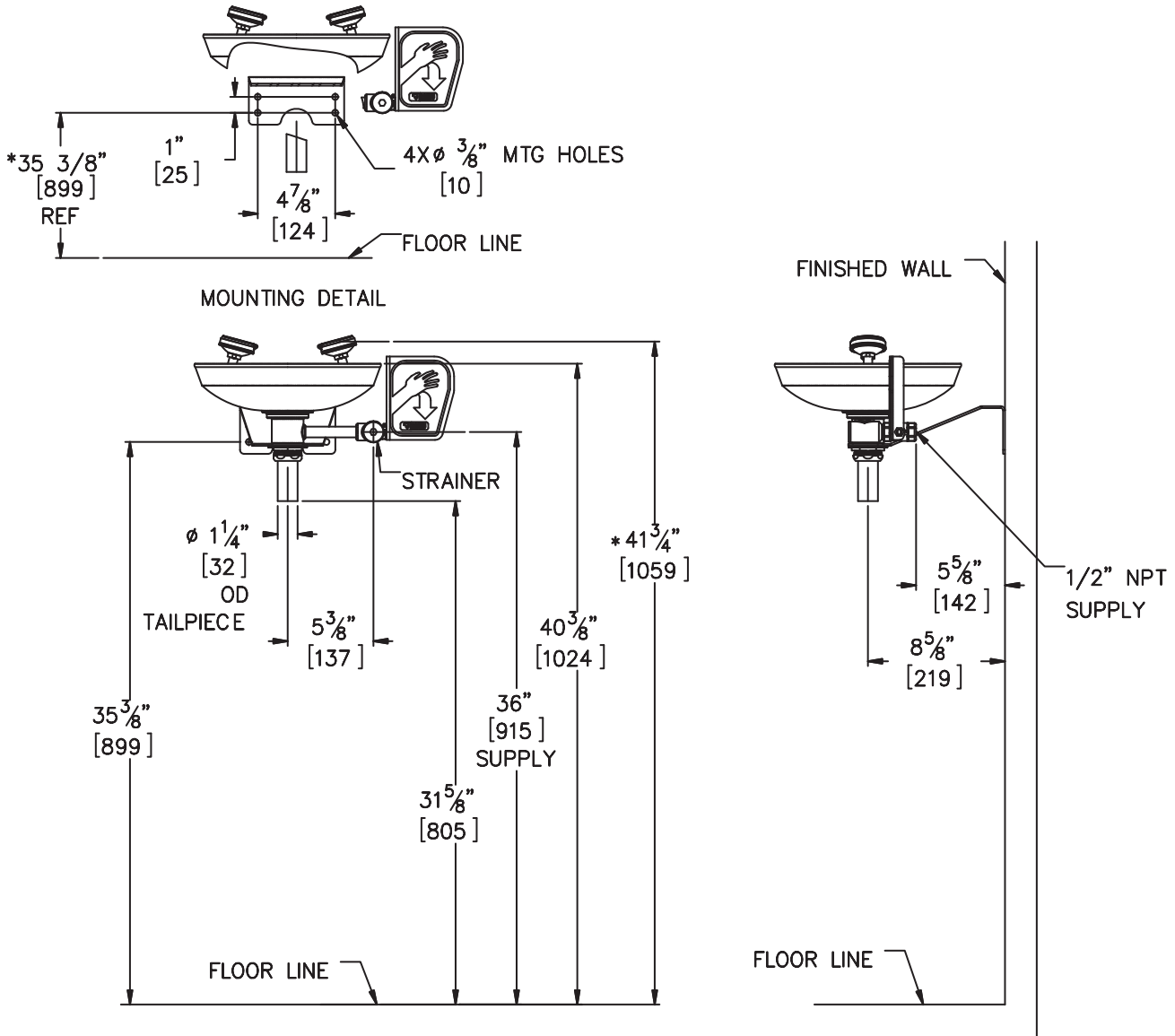
Member of
Acorn Engineering's
Family of Companies

ACORN SAFETY
15125 Proctor Avenue
City of Industry, CA
91746 U.S.A.
Phone 800-591-9372
626-855-4804
Fax 626-937-4213
www.acornsafety.com

TECHNICAL DIMENSIONS

All dimensions are nominal and subject to manufacturer's change without notice. Acorn Safety assumes no responsibility for use of void or suspended data. Dimensions may change with the addition of optional accessories. © 2008 Acorn Safety, a Division of Acorn Engineering Company. Please visit www.acornsafety.com for most current specifications.

Model S0420 : Wall Mounted Eye/Face Wash, Plastic Bowl



GENERAL NOTES:

1. ALL DIMENSIONS ARE IN INCHES [MM].
- *2. DIMENSIONS SHOWN ARE FOR NOMINAL ADULT HEIGHT. ANSI Z358.1 REQUIRES NOZZLES TO BE BETWEEN 33" [838] AND 45" [1143] ABOVE THE FLOOR.
3. P-TRAP NOT PROVIDED.

Rough-in # **S0420** Rev. A 11/20/08

Acorn Safety warrants that its products are free from defects in material or workmanship under normal use and service for a period of one year from date of shipment. Acorn's liability under this warranty shall be discharged solely by replacement or repair of defective material, provided Acorn is notified in writing within one year from date of shipment, F.O.B. Industry, California.

SELECTION SUMMARY & APPROVAL FOR MANUFACTURING

Model Number & Options _____ Quantity _____

Company _____

Contact _____ Title _____

Signature (Approval for Manufacturing) _____ Date _____

800-591-9372
or 626-855-4804
www.acornsafety.com