

# Model S0000-TMV8

Thermostatic Mixing Valve  
for Eyewash or Eye/Face Wash, 8 gpm



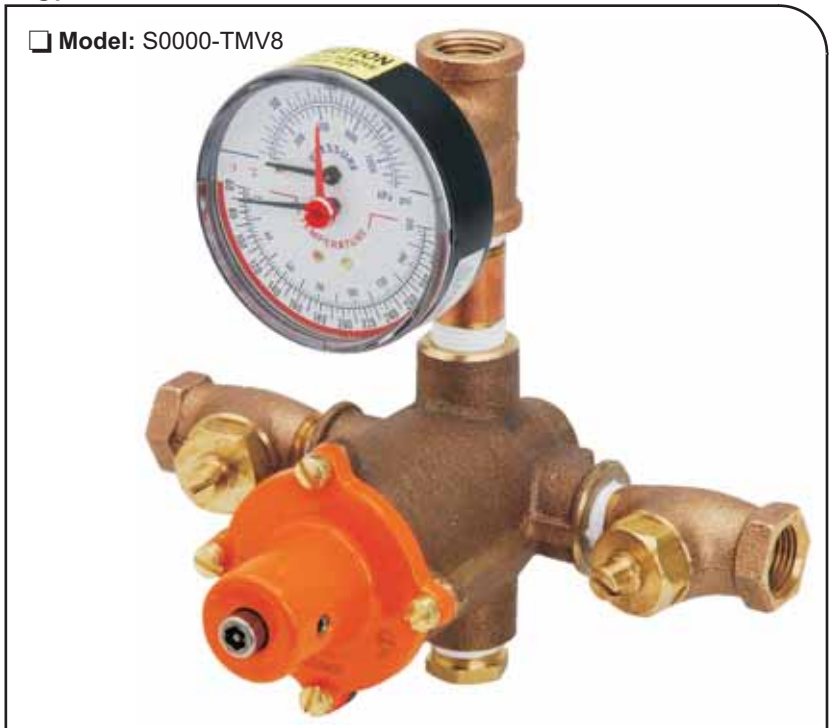
## SPECIFICATIONS:

Model S0000-TMV8 is a thermostatic mixing valve that blends hot and cold water to deliver tepid water to emergency fixtures, quickly compensating for temperature variations due to changes in inlet temperature or pressure. The unit's exclusive "dual internal by-pass" insures cold water flow in the event of a valve failure or loss of hot water. The advanced thermal actuator senses and adjusts the outlet water temperature to variations in the temperature and/or pressure. The dirt and lime resistant piston cylinder design ensures minimal maintenance. Checkstops included with each valve, prevent crossover and allow easy shutdown of the unit for servicing. The valve also features a tamper-resistant temperature adjustment control, and a rough bronze Temperature/Pressure gauge on outlet.

## STANDARD EQUIPMENT:

- Advance thermal actuator provides precise temperature control.
- Exclusive dual internal by-pass ensures cold water flow if hot water is lost or actuator fails.
- Flow shuts down upon loss of cold water.
- Large, easy to read dial Temperature / Pressure gauge.
- Valve complies with ANSI Z358.1-2009
- ASSE 1071 Listed
- 1/2" NPT inlets and outlet

Model: S0000-TMV8



## SIZING:

Capacity Tables below present the mixing valve's discharge capacity in gpm (in lpm) for various pressure differentials (the difference between the lowest inlet pressure and the discharge pressure).

### FLOW CAPACITY 50-50 MIXED RATIO

Minimum Flow Rate	Pressure Drop Across Valves						
	5psi 34kPa	10psi 69kPa	15psi 103kPa	20psi 138kPa	30psi 207kPa	45psi 310kPa	60psi 414kPa
1.0 gpm 3.8 lpm	3.6 gpm 13.6 lpm	5.0 gpm 18.9 lpm	6.2 gpm 23.5 lpm	7.1 gpm 26.9 lpm	8.7 gpm 32.9 lpm	10.7 gpm 40.5 lpm	12.3 gpm 46.6 lpm

## OPERATING SPECIFICATIONS:

- Maximum Pressure:** 125 psi (861.25 kPa)
- Maximum Hot Water Temperature:** 180°F (82°C)
- Approach Temperature:** 15°F (8°C)
- Temperature Adjustment Range:** 60°F (15°C) to 95°F (35°C)
- Factory Set Temperature:** 85° (29°C)
- By-pass Flow Rate at 30 psid:** 6.5 gpm (25 lpm)
- Maximum flow with cold water shutoff:** 0.5 gpm (1.9 lpm)



Member of  
U.S. Green  
Building Council



Recyclable  
Product

Acorn Safety assumes no responsibility for use of void or suspended data. © Copyright Acorn Safety, City of Industry, CA, A Division of Acorn Engineering Company. Please visit [www.acornsafety.com](http://www.acornsafety.com) for most current specifications.

Submital # **S0000-TMV8**  
[MV] Rev B 03/28/11

Product complies to the following standards:



Test rating conditions are compliant to ANSI Z358.1-2009



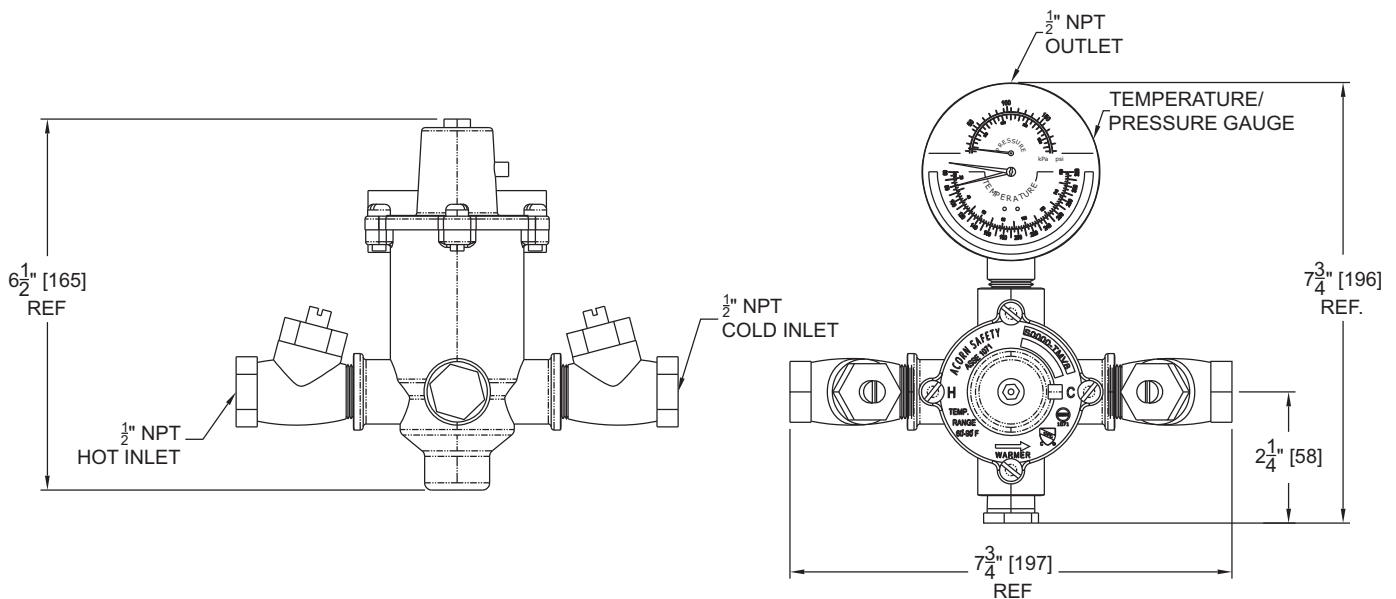
Member of  
Acorn Engineering's  
Family of Companies

ACORN SAFETY  
15125 Proctor Avenue  
City of Industry, CA  
91746 U.S.A.  
Phone 800-591-9372  
626-855-4804  
Fax 626-937-4213  
[www.acornsafety.com](http://www.acornsafety.com)

# TECHNICAL DIMENSIONS

All dimensions are nominal and subject to manufacturer's change without notice. Acorn Safety assumes no responsibility for use of void or suspended data. Dimensions may change with the addition of optional accessories. © Acorn Safety, a Division of Acorn Engineering Company. Please visit [www.acornsafety.com](http://www.acornsafety.com) for most current specifications.

**Model S0000-TMV8** : Thermostatic Mixing Valve for Eyewash or Eye/Face Wash, 8 gpm



GENERAL NOTES:  
1. ALL DIMENSIONS ARE IN (INCHES [mm]).

Rough-in # **S0000-TMV8** 03/22/11

Acorn Safety warrants that its products are free from defects in material or workmanship under normal use and service for a period of one year from date of shipment. Acorn's liability under this warranty shall be discharged solely by replacement or repair of defective material, provided Acorn is notified in writing within one year from date of shipment, F.O.B. Industry, California.

SELECTION SUMMARY  
& APPROVAL FOR  
MANUFACTURING

Model Number & Options \_\_\_\_\_ Quantity \_\_\_\_\_

Company \_\_\_\_\_

Contact \_\_\_\_\_ Title \_\_\_\_\_

Signature (Approval for Manufacturing) \_\_\_\_\_ Date \_\_\_\_\_



**800-591-9372**  
or 626-855-4804  
[www.acornsafety.com](http://www.acornsafety.com)