

FloWise® FLUSH-FREE WATERLESS URINAL

- Vitreous china no water wall hung urinal with integral housing and drain insert
- Includes Mounting Hardware and Wall Bracket
- Drain Flange Coupler
- Odor Barrier Liquid
- Insert Key
- Drain Insert
- Installation and Maintenance Instructions

6150.100 Large
Nominal Dimensions:
502 x 711 x 394mm
(19-3/4" x 28" x 15-1/2")

6154.100 Medium
Nominal Dimensions:
406 x 629 x 394mm
(16" x 24-3/4" x 15-1/2")

6155.100 Small
Nominal Dimensions:
342 x 495 x 330mm
(13-1/4" x 19-1/2" x 13")

6156.100 Replacement Kit

**Compliance Certifications -
Meets or Exceeds the Following Specifications:**

- ASME A112.19.19 for Vitreous China Fixtures

To Be Specified:
 Color: White



6150.100 



6154.100 



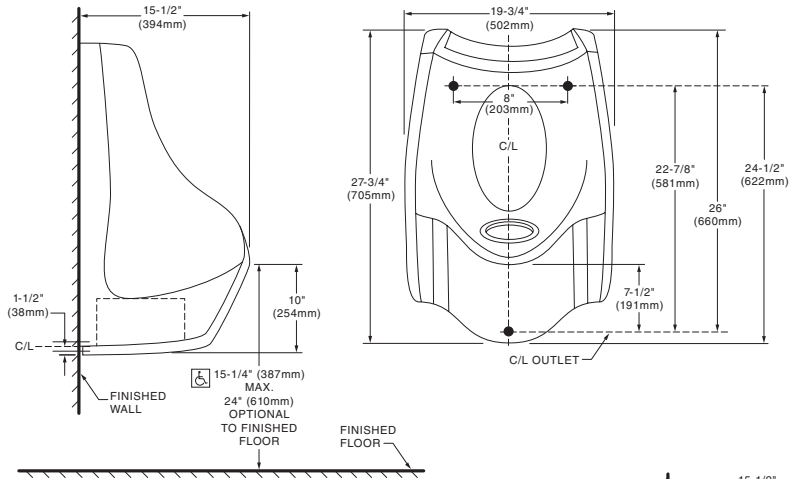
6155.100



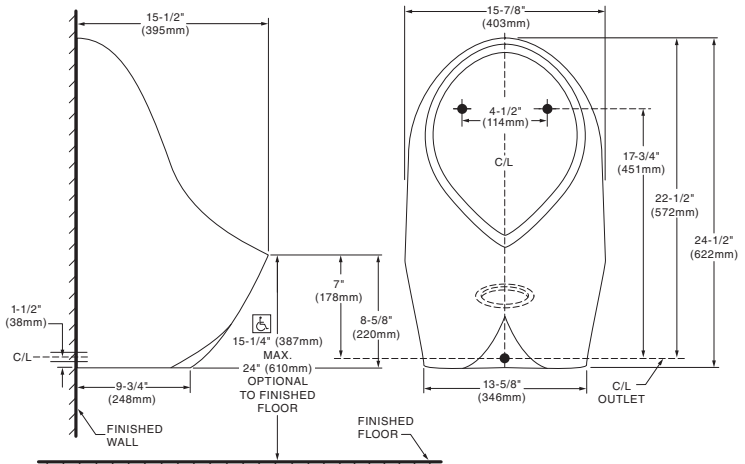
**MEETS THE AMERICANS WITH DISABILITIES ACT GUIDELINES
AND ANSI A117.1 ACCESSIBLE AND USABLE BUILDINGS AND
FACILITIES - CHECK LOCAL CODES.**

- When installed so top of rim is 387mm (15-1/4") from finished floor.

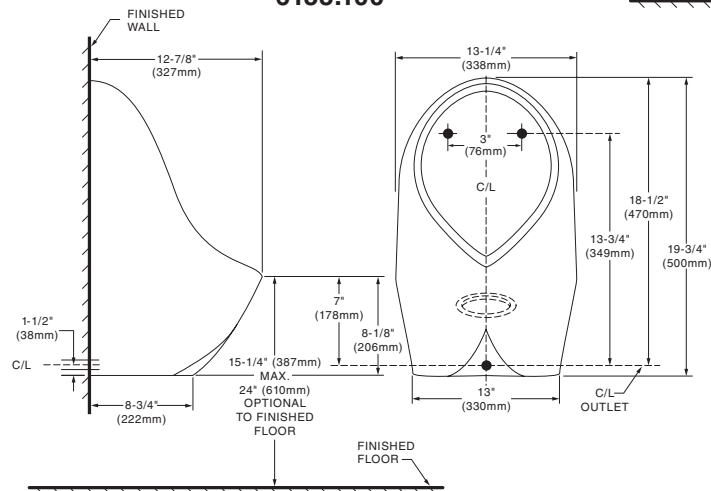
6150.100



6154.100



6155.100



NOTES:
PROVIDE SUITABLE REINFORCEMENT FOR ALL WALL SUPPORTS.

IMPORTANT: Dimensions of fixtures are nominal and may vary within the range of tolerances established by ANSI Standard A112.19.2. These measurements are subject to change or cancellation. No responsibility is assumed for use of superseded or voided pages.