

ACRYLUX 60" x 30" TILE BATH WALL SET

6030Y1.BWT Tile Bath Wall Set

Product Features:

- High-gloss acrylic-capped ABS with fiberglass reinforcement
- Mounts directly to studs
- Caulk-less installation
 - Integral rubber gasket between back and side walls for a watertight seal
- Pin-and-slot design for easy alignment of side and back panels
- Full width accessory shelves
- Simulated grout lines for the attractive look of a textured tile wall

Individual wall panels also available:

- 0030Y1.BWT-R 30" Bath Wall Panel, Right
- 0030Y1.BWT-L 30" Bath Wall Panel, Left
- 6000Y1.BWT-B 60" Bath Wall Panel, Back

Nominal Dimensions:

Side Panels:

60" tall x 30" wide
 (1524 x 762mm)

Back Panel:

60" tall x 60" wide
 (1524 x 1524 mm)

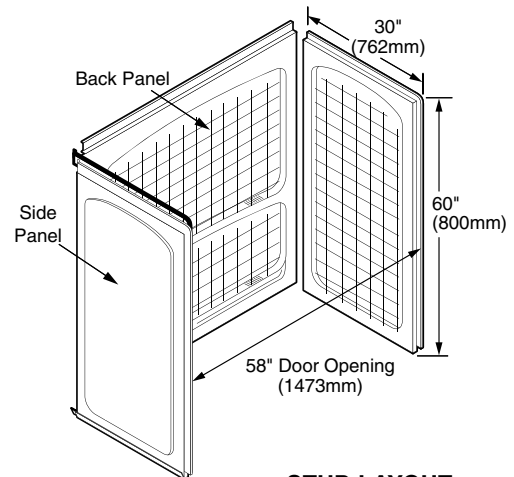
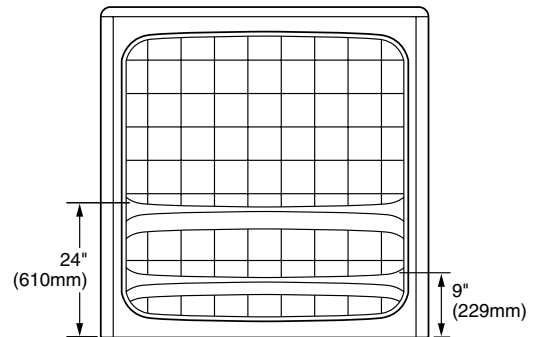
For use with:

- 6030Y1 Series Bathtubs and Whirlpools
- 6030Y2A Series AFR Bathtubs and Whirlpools

Compliance Certifications -

Meets or Exceeds the Following Specifications:

- ANSI Z124.1 for Plastic Bathtubs
- ASTM E162 for Flammability
- NFPA 258 for Smoke Density



STUD LAYOUT

