

1800B2 Series Service Regulators

Data Sheet

A **Compact, Lightweight** regulator designed for residential natural gas applications and for fast, easy installation with interchangeable orifices and springs that provide a wide range of outlet pressures and flow rates.

Valve body configurations in 90°, 180° and offset are available with 3/4", 1" and 1-1/4" NPT or BSP-TR connection sizes.

The 1813B2, 1833B2, 1843B2, 1853B2 and 1853B2 w/ Jeavons regulators features a full capacity internal relief valve with large passages to assure the fast release of gas. The standard relief spring setting is 8.0" W.C. above the normal 7" W.C. outlet pressure setpoint.

All models conform to ANSI Code B109.4-1998 and CGA Service-type Regulator Specification CAN/CGA-6.18-M95.

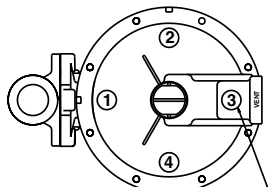
Regulator Descriptions

Model Number	Description
1813B2	Basic regulator with full capacity internal relief with 3/4" or 1" NPT vent.
1823B2 *	Basic regulator, non-relieving with under-pressure shut-off and 3/4" or 1" NPT vent.
1833B2 *	Basic regulator with full capacity internal relief and overpressure shut-off and 3/4" or 1" NPT vent.
1843B2	Basic regulator with full capacity internal relief and overpressure shut-off and 3/4" or 1" NPT vent.
1853B2 *	Basic regulator with full capacity internal relief and overpressure, underpressure shut-off and 3/4" or 1" NPT vent.
1883B2	Basic regulator, non-relieving with over-pressure shut-off and 3/4" or 1" NPT vent.
1893B2 *	Basic regulator, non-relieving with over-pressure, underpressure shut-off and 3/4" or 1" NPT vent.
1853B2 w/ Jeavons **	Basic regulator with full capacity internal relief and overpressure, underpressure shut-off and 3/4" or 1" NPT vent.
1893B2 w/ Jeavons **	Basic regulator, non-relieving with overpressure, underpressure shut-off and 3/4" or 1" NPT vent.

* For UPSO operation, see Brochure TDB-8620.

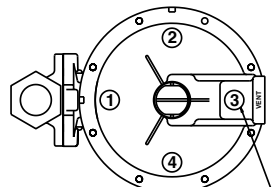
** For Jeavons (USSA) operation, see Brochure SB-8556.

1800B2 Assembly Positions For 180° Models



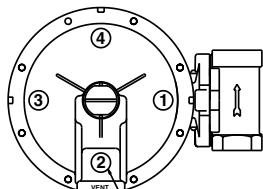
Standard Vent Position

Valve Body Position "A"



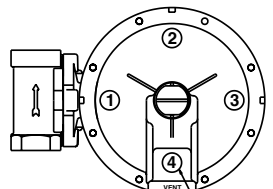
Standard Vent Position

Valve Body Position "B"



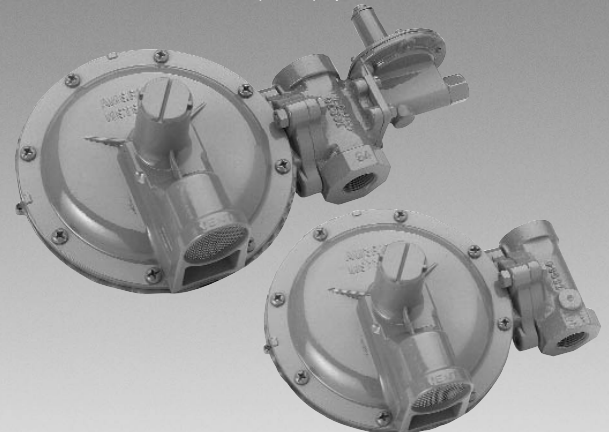
Standard Vent Position

Valve Body Position "C"



Standard Vent Position

Valve Body Position "D"



**AMERICAN
METER COMPANY**

1800B2 Series Service Regulators

Series 1800B2 Regulator Capacity Performance

Capacity 3/4" Outlet 1800B2 Regulator Set Point 7.0" W.C. @ 50 SCFH

SCFH 0.60 specific gravity gas @ 60° F & 14.7 PSIA. Pressure spring 70017P044. Outlet pressure variance not to exceed +2" -1" W.C. from set point, horizontal position.

Inlet (PSIG)	Orifice Size						
	1/8 x 3/16	3/16	1/4	5/16	3/8	1/2	9/16
5	250	400	500	600	700	800	1000
10	350	600	850	1000	1200	1300	1400
15	425	900	1100	1500	1500	1500	1600
20	500	1100	1400	1600	1800	1800	1900
30	650	1400	1800	2100	2100	2100	
40	800	1800	2200	2400	2500		
60	1100	2200	2500	2500			

For optimum performance, maximum inlet pressure should not exceed maximum capacity rating for any given orifice size. The outlet pressure may vary as much as 0.5 W.C. if the diaphragm is in the vertical position.

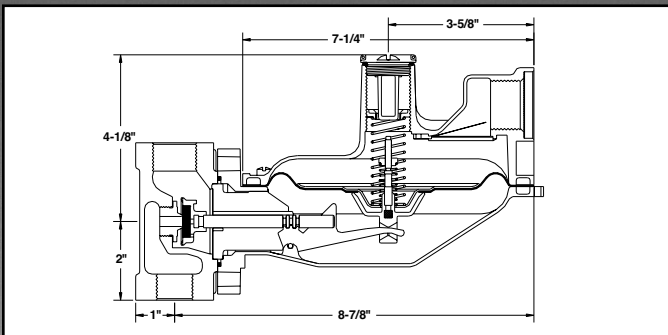
Capacity 1" Outlet 1800B2 Regulator Set Point 7.0" W.C. @ 50 SCFH

SCFH 0.60 specific gravity gas @ 60° F & 14.7 PSIA. Pressure spring 70017P044. Outlet pressure variance not to exceed +2" -1" W.C. from set point, horizontal position.

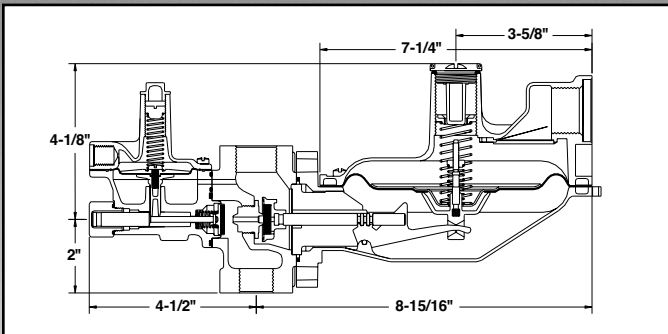
Inlet (PSIG)	Orifice Size						
	1/8 x 3/16	3/16	1/4	5/16	3/8	1/2	9/16
5	275	425	550	600	700	1000	1000
10	350	650	900	1000	1400	1500	1800
15	425	900	1200	1500	1800	2100	2400
20	500	1100	1600	1800	2300	2500	2500
30	650	1400	2000	2500	2500	2500	
40	800	1800	2500	2500	2500	2500	
60	1100	2400	2500	2500	2500		

For optimum performance, maximum inlet pressure should not exceed maximum capacity rating for any given orifice size. The outlet pressure may vary as much as 0.5 W.C. if the diaphragm is in the vertical position.

1813B2-180° Dimensions



1843B2 Dimensions



Pressure Springs

Outlet Pressure	Color Code	Part Number
		1813B2
3.5" to 6" W.C.	Blue	70017P043
5.5" to 8.5" W.C.	Yellow	70017P044
6" to 15" W.C.	Purple	70017P042
12" to 28" W.C.	White	70017P060
24" to 48" W.C.	Red	70017P082
42" W.C. to 2 PSIG	Red-Red	70017P049

Order Information:

Model Number: _____
 Kind and specific gravity of gas: _____
 Inlet pressure, PSI: _____
 Outlet pressure, inches W.C. (or PSIG): _____
 Flow, scfh: _____
 Orifice Size: _____
 Size of inlet and outlet: _____

Contact American Meter with any questions or orders at the address and phone number below.

Shipping Weight –

17.5 lbs/carton of four regulators

Reference Materials

Sales Bulletin SB-8510
 Operating Instructions Manual IM-8710
 Repair Parts RPL-8811

AMC Quality System

QMI is Accredited by:



ISO 9001 Certified Certificate #006697



Dutch Council for Accreditation



Measurement Engineers Since 1836

Yesterday...Today...Tomorrow

300 Welsh Road, Building One
 Horsham, PA 19044-2234
 Phone: 215/830-1800
 Fax 215/830-1890
 www.americanmeter.com



275 Industrial Road
 Cambridge, Ontario
 Canada N3H 4R7
 Phone: 519/650-1900
 Fax 519/650-1717

www.americanmeter.com

