

AFWALL™ FloWise® ADA RETROFIT with EVERCLEAN®

- Wall-mounted flushometer valve toilet
- Vitreous china
- Meets definition for HET (High Efficiency Toilet)
- High Efficiency (4.8 Lpf/1.28 gpf)
- Will also function at 1.1gpf and 1.6gpf with a properly set dual flush valve
- EverClean® surface inhibits the growth of stain and odor-causing bacteria, mold, and mildew on the surface
- Elongated bowl
- Powerful direct-fed siphon jet action
- Fully-glazed 2-1/8" trapway
- 10" x 12" water surface area
- Condensation channel
- 1-1/2" inlet spud
- 100% factory flush tested

- 3355.128** Elongated bowl only, top spud
- 3355.001** Same as above, Universal Bowl
- 3356.128** Elongated bowl only, top spud with slotted rim for bedpan holding (White only)
- 3356.001** Same as above, Universal Bowl
- 3357.128** Elongated bowl only, back spud (White only)
- 3357.001** Same as above, Universal Bowl
- 3358.128** Elongated bowl only, back spud with slotted rim for bedpan holding (White only)

Afwall ADA 1.28 or Universal bowl replaces standard wall-hung 3.5 or 1.6 models and roughs-in at 410mm (16-1/8") rim height **to meet ADA with no need to modify the existing carrier or through wall supply** (providing centerline of current outlet is 133mm [5-1/4"] above finished floor).

Component Parts:

- 047007-0070A** Inlet spud (furnished with bowl)
- 736046-100** Flushometer valve rough-in adapter kit (furnished with bowl)

Nominal Dimensions:

660 x 356 x 419mm (26" x 14" x 16-1/2")

For Top spud bowls, American Standard kit #736046-100 Flushometer Valve Conversion Kit containing a 25mm (1") chrome-plated street ell, a vacuum breaker, and a 330mm (13") tail piece included to meet minimum 152mm (6") code between bowl and vacuum breaker.

Recommended working pressure—between 25 psi at valve when flushing and 80 psi static

Fixture only, less seat, carrier, bolt caps, and flushometer valve

Compliance Certifications -

Meets or Exceeds the Following Specifications:

- ASME A112.19.2-2008/CSA B45.1-08 for Vitreous China Fixtures



SEE REVERSE FOR ROUGHING-IN DIMENSIONS

To Be Specified:

- Color: White Bone Linen Black
- Seat:
 - American Standard #5901.100 Heavy duty open front less cover
 - American Standard #5905.100 Extra heavy duty open front less cover
- Flushometer Valve:
 - American Standard Selectronic™ #6065.121.002 DC Power (Top Spud)
 - American Standard Selectronic™ #6065.222.007 DC Power (Concealed Back Spud)
 - American Standard Selectronic™ #6067.222.007 AC Power (Concealed Back Spud)
 - American Standard Selectronic™ #6068.222.007 Multi AC Power (Concealed Back Spud)



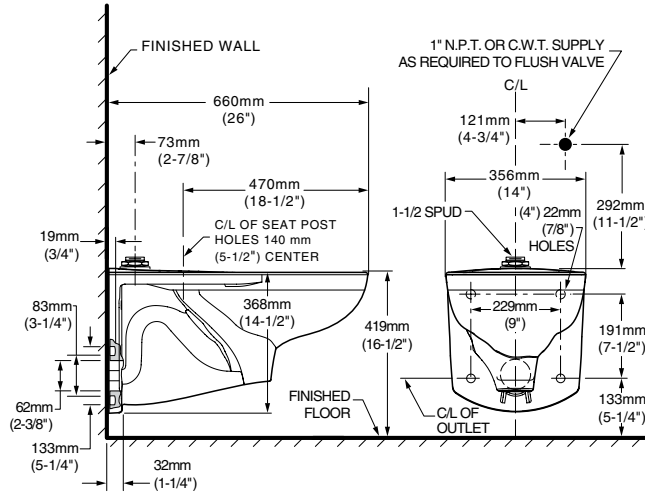
MEETS THE AMERICANS WITH DISABILITIES ACT GUIDELINES AND ANSI A117.1 REQUIREMENTS FOR ACCESSIBLE AND USABLE BUILDING FACILITIES - CHECK LOCAL CODES.

- When installed so top of seat is 432 to 483mm (17" to 19") from the finished floor.

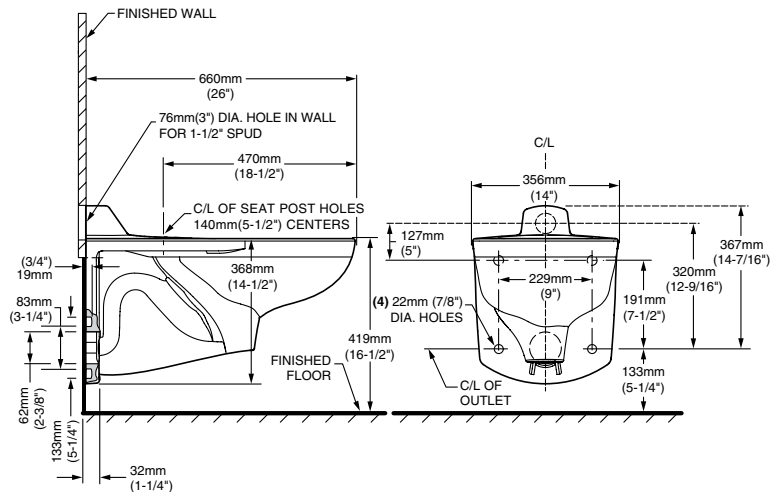
EVERCLEAN®
Surface



3355.128/3356.128
3355.001/3356.001



3357.128/3358.128
3357.001



NOTES:

● Toilet designed to meet ADA accessibility standards when top of seat height set at 432 to 483mm (17" to 19") from finished floor.

PRODUCTS 3355 AND 3357 SHOWN, 3356 AND 3358.128 SAME AS EXCEPT WITH SLOTTED RIM FOR BED PAN HOLDING.

* REQUIRES AMERICAN STANDARD KIT 736046-100 TO UPGRADE EXISTING INSTALLATION OF FLUSHOMETER VALVE AND COMPONENTS.

WASTE OUTLET SEAL RING MUST BE NEOPRENE OR GRAPHITE-FELT (WAX RING NOT RECOMMENDED).

SUGGESTED 1/16" CLEARANCE BETWEEN FACE OF WALL AND BACK OF BOWL TO COMPLY WITH AREA CODE GOVERNING THE HEIGHT OF VACUUM BREAKER ON THE FLUSHOMETER VALVE, THE PLUMBER MUST VERIFY DIMENSIONS SHOWN FOR SUPPLY ROUGHING.

FLUSHOMETER VALVE NOT INCLUDED WITH FIXTURE AND MUST BE ORDERED SEPARATELY.

CARRIER FITTING AS REQUIRED TO BE FURNISHED BY OTHERS.

PROVIDE SUITABLE REINFORCEMENT FOR ALL WALL SUPPORTS.

IMPORTANT: Dimensions of fixtures are nominal and may vary within the range of tolerances established by ANSI Standard A112.19.2. These measurements are subject to change or cancellation. No responsibility is assumed for use of superseded or voided pages.