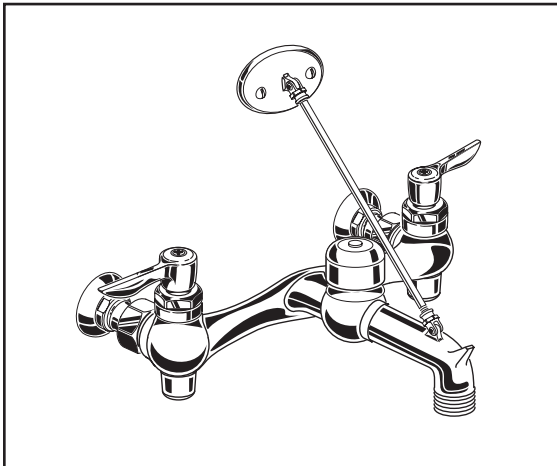


**EXPOSED YOKE WALL-MOUNT  
UTILITY FAUCET  
WITH TOP BRACE**



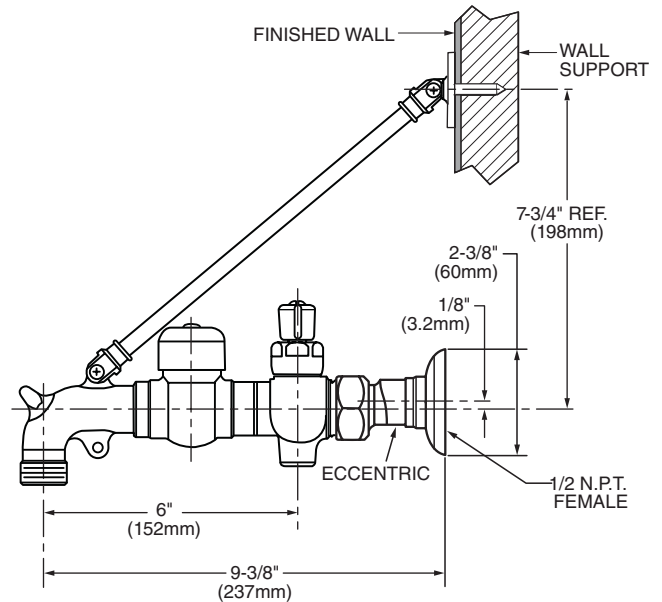
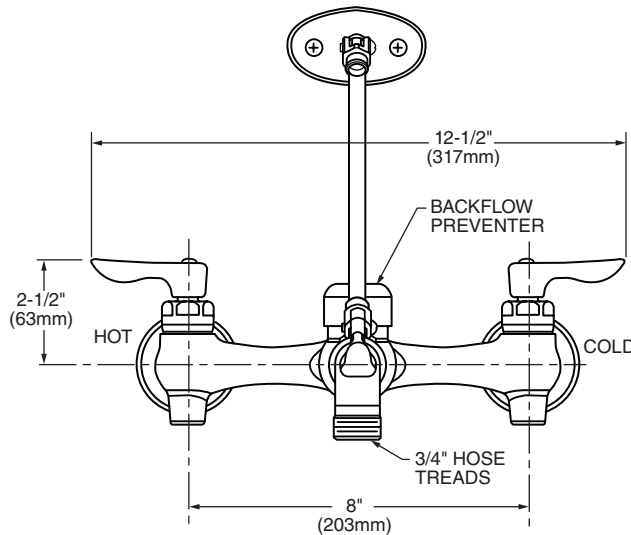
**MODEL NUMBER:**

- 8344.012 Exposed Yoke Wall-Mount Utility Faucet**  
 Top brace. 6" cast brass spout with vacuum breaker. Integral supply stops. Vandal-resistant metal lever handles. Bucket hook. 3/4" threaded hose end. 1/2" NPT female inlets.

**CODES AND STANDARDS:**

These products meet or exceed the following codes and standards:

- ASME A112.18.1**
- CSA B 125**
- ASSE 1001**
- ANSI A117.1**



**GENERAL DESCRIPTION:**

Cast brass body. Metal lever handles with hot and cold indicators and vandal-resistant screws. 1/4 turn ceramic disc valve cartridges. Vacuum breaker prevents back flow. Integral supply stops. Spout, top braced to wall, with bucket hook and threaded hose end. 1/2" female inlets adjustable from 7-3/4" to 8-1/4".

**PRODUCT FEATURES:**

- Cast Brass Construction:** Durable - Excellent in high use applications.
- Ceramic Disc Valve Cartridges:** Assure a lifetime of drip-free performance.
- Vacuum Breaker:** Prevents back flow.
- Integral Supply Stops:** Permits easy and convenient access.
- Top Brace:** Provides additional support.
- Choice of Finishes:** Available in Polished Chrome (002) or Rough Chrome (004).

 **MEETS THE AMERICANS WITH DISABILITIES ACT GUIDELINES AND ANSI A117.1 REQUIREMENTS FOR ACCESSIBLE AND USABLE BUILDING FACILITIES-CHECK LOCAL CODES**

**SUGGESTED SPECIFICATION**

Exposed yoke wall-mount utility faucet shall feature a cast brass body with integral supply stops. Cast brass spout with bucket hook, top brace, and vandal-resistant metal lever handles. Shall feature vacuum breaker to prevent back flow. Shall also feature 1/4 turn washerless ceramic disc valve cartridges. Fitting shall be American Standard Model # 8344.012.\_\_\_\_.