

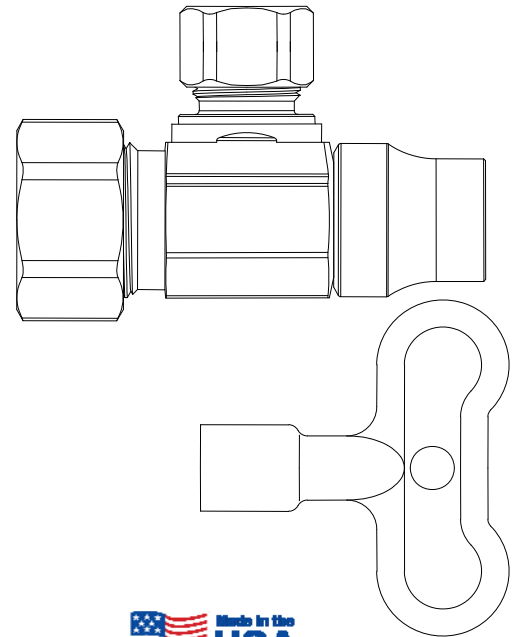
Job Name		Engineer / Architect	
Job Location		Wholesaler	
Submittal Date		Contractor	

KTSCR19/ KTSCR39 1/4 Turn Angle Ball Stop w/ Loose Key – Compression x Compression

Use: For use in potable water distribution systems.

Design Features:

- **Precision-machined brass ball** is specially engineered and mated with PTFE seats to provide smooth operation without freeze ups even after long periods of non-use
- **TWO high-performance o-rings** withstand high temperatures and corrosion from harsh water environments
- **Machined one-piece brass body** provides strength, durability and long-lasting performance
- **Blow-out proof brass stem** is assembled from the inside out with two o-rings to ensure safe, reliable performance
- **Plated stem** provides corrosion resistance and prevents o-ring damage after long periods of non-use
- **100% leak tested**
- **Compliant KT Stops** available for California and Vermont “no-lead” requirements.



Operating Specifications:

Temperature: 40°- 180° F
Pressure: 125 psi maximum

Standard

MATERIAL SPECIFICATIONS	
Valve Body	C36000 brass
Stem	DZR brass, plated
Seats	PTFE
Ball	Precision machined brass
Stem O-rings	Viton* & Nitrile
Lock Shield	C36000 brass, plated
Loose Key	Zinc die cast
Compression Sleeve	C36000 brass
Compression Nut	C36000 brass, chrome plated

Compliant

MATERIAL SPECIFICATIONS	
Valve Body	Compliant brass
Stem	Compliant brass, plated
Seats	PTFE
Ball	Compliant brass, precision machined
Stem O-ring	Viton* & Nitrile
Lock Shield	C36000 brass, plated
Loose Key	Zinc die cast
Compression Sleeve	C36000 brass
Compression Nut	C36000 brass, chrome plated

*Viton is a registered trademark of DuPont Dow Elastomers, L.L.C.

This specification and all information contained herein is the confidential and exclusive property of BrassCraft Manufacturing, and shall not be disclosed to others without the written consent of BrassCraft. This specification must be returned to BrassCraft if requested.



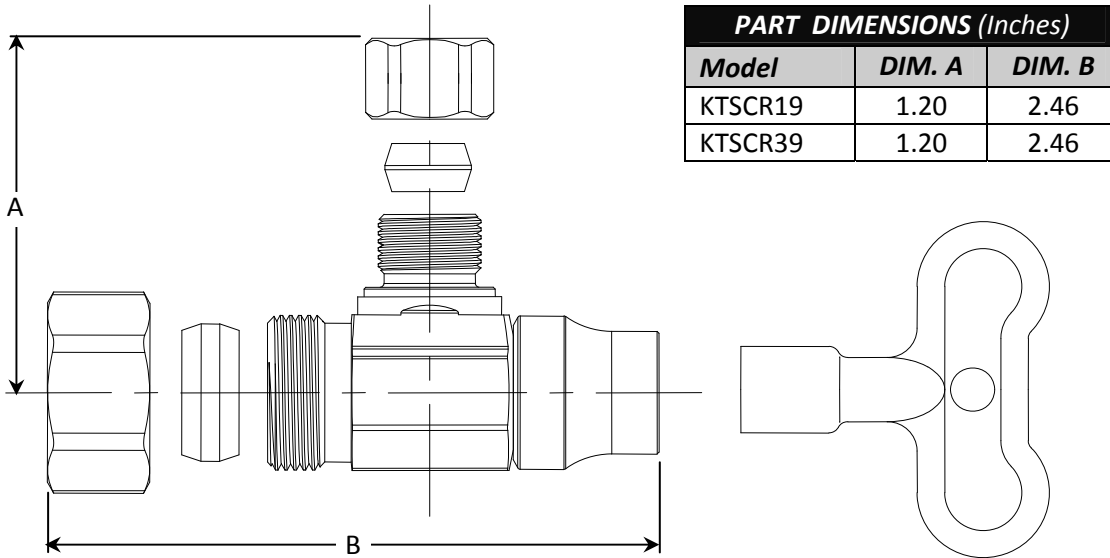
KTSCR19/ KTSCR39 1/4 Turn Angle Ball Stop w/ Loose Key – Compression x Compression

Standard Part Listing:

- KTSCR19 C 1/2" Nom. Compression x 3/8" OD Compression, chrome plated
- KTSCR39 C 1/2" Nom. Compression x 1/2" OD Compression, chrome plated

Compliant Part Listing:

- KTSCR19X C 1/2" Nom. Compression x 3/8" OD Compression, chrome plated



PART DIMENSIONS (Inches)		
Model	DIM. A	DIM. B
KTSCR19	1.20	2.46
KTSCR39	1.20	2.46

Listings & Certifications:

- IAPMO listed to ASME A112.18.1-05 / CSA B125.1-05 (File # 0645)
- CSA listed to ASME A112.18.1-05 / CSA B125.1-05 (File # 204593)
- UL listed to ANSI/NSF 61 Sec. 9 (File # MH25826)
- CSA approved to AB1953 (Project # 2174785)



CLASSIFIED
Drinking Water
System Component
ANSI/NSF 61
59FL
WATER QUALITY



This specification and all information contained herein is the confidential and exclusive property of BrassCraft Manufacturing, and shall not be disclosed to others without the written consent of BrassCraft. This specification must be returned to BrassCraft if requested.

BrassCraft®