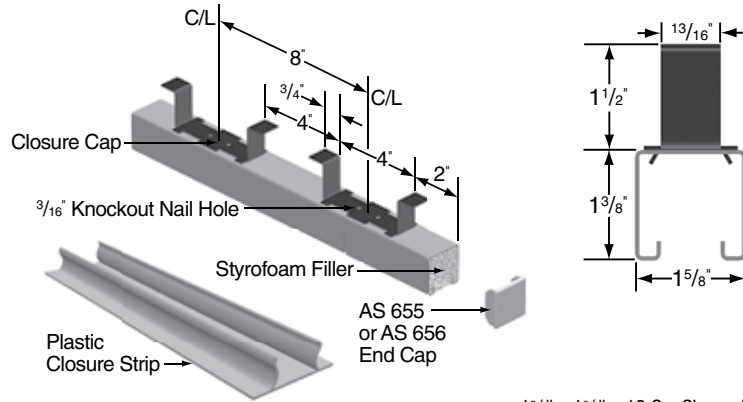


AS 349

PL  PG Other \_\_\_\_\_

**CONTINUOUS CONCRETE INSERT**

With Closure Strip and End Cap Installed (CS/EC) or with Foam and End Cap Installed (F/EC).



Part No.	End Cap	Std Pkg	Wt/100 pcs
AS 349 CS/EC 10	A	400	180
AS 349 CS/EC 20	A	800	180
AS 349 F/EC 10	A	400	188
AS 349 FS/EC 20	A	800	188

Load Rating 2000 lbs. Per 12" Section, Based Upon Concrete Compressive Strength of 2500–3000 PSI. Custom lengths available upon request.

1 5/8" x 1 3/8" x 12 Ga. Channel.

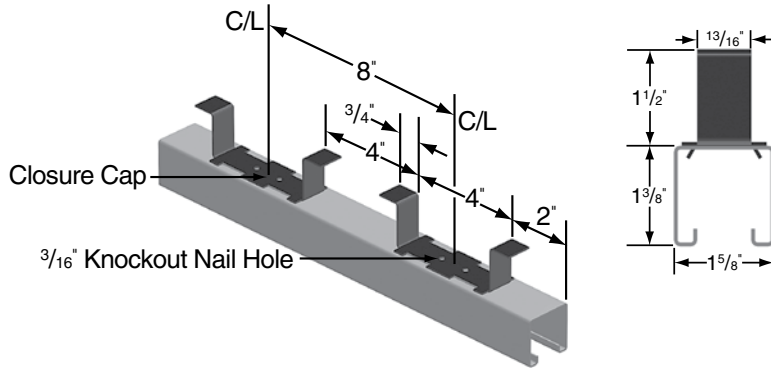
Std Pkg & Wt/100 pcs: See chart above.

AS 349

PL  PG Other \_\_\_\_\_

**CONTINUOUS CONCRETE INSERT**

Without Closure Strip and End Cap.



Part No.	Std Pkg	Wt/100 pcs
AS 349 W/O 10	400	178
AS 349 W/O 20	800	178

Load Rating 2000 lbs. Per 12" Section, Based Upon Concrete Compressive Strength of 2500–3000 PSI. Custom lengths available upon request.

1 5/8" x 1 3/8" x 12 Ga. Channel.

Std Pkg & Wt/100 pcs: See chart above.

**LEGEND:**

GR: Powder Coated Supr-Green EG: Electro-Galvanized AL: Aluminum HG: Hot Dipped Galvanized PL: Plain SS: Stainless Steel ZTC: Zinc Trivalent Chromium

**PROJECT INFORMATION**

**APPROVAL STAMP**

Project:	<input type="checkbox"/> Approved
Address:	<input type="checkbox"/> Approved as noted
Contractor:	<input type="checkbox"/> Not approved
Engineer:	Remarks:
Submittal Date:	
Notes 1:	
Notes 2:	