

Fig. 69

Adjustable Swivel Ring, Tapped Per NFPA Standards

Size Range: 1/2" through 8"

Material: Carbon steel

Finish: Galvanized

Service: Recommended for suspension of non-insulated **stationary** pipe line.

Maximum Temperature: 650° F

Approvals: Complies with Federal Specification A-A-1192A (Type 10)

WW-H-171-E (Type 10), ANSI/MSS SP-69 and MSS SP-58 (Type 10).

UL Listed and FM Approved (Sizes 3/4" - 8").

Features:

- Threads are countersunk so that they cannot become burred or damaged.
- Knurled swivel nut provides vertical adjustment after piping is in place.
- Captured swivel nut in the 1/2" through 6" sizes. The capture is permanent in the bottom portion of the band, allowing the hanger to be opened during installation if desired, but not allowing the nut to fall completely out.

Ordering: Specify size, figure number and name.

Note: The acceptability of galvanized coatings at temperatures above 450°F is at the discretion of the end user.

Metric nut available upon request. Non-captured nut also available upon request.

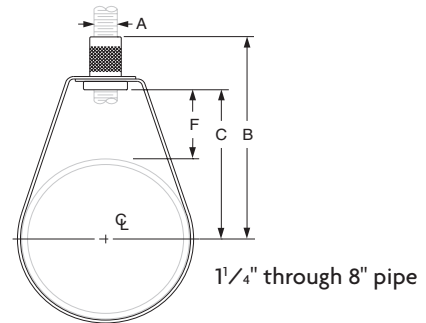
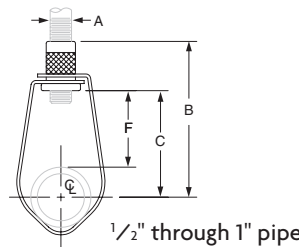


FIG. 69: LOADS (LBS) • WEIGHT (LBS) • DIMENSIONS (IN)

Pipe Size	Max Load	Weight	Rod Size A	B	C	F
1/2	300	0.10	3/8	2 7/8	2	1 9/16
3/4		0.10		2 3/4	1 7/8	1 5/16
1		0.10		2 9/16	1 11/16	1
1 1/4		0.10		2 5/8	1 3/4	7/8
1 1/2		0.10		2 3/4	1 7/8	
2		0.11		3 1/4	2 3/8	1 1/8
2 1/2	525	0.20	1/2	4	2 3/4	1 5/16
3		0.20		3 13/16	2 15/16	1 3/16
4	650	0.30	1/2	4 1/16	3 13/16	1 9/16
5	1,000	0.54		5 5/16	4 3/8	
6		0.65		6 1/16	5 5/16	2 1/4
8		1.00		8	7	2 1/16

Note: Reflects changes in rod diameter from previously published data per recent revisions in MSS-SP-58 & 69

PROJECT INFORMATION		APPROVAL STAMP
Project:		<input type="checkbox"/> Approved
Address:		<input type="checkbox"/> Approved as noted
Contractor:		<input type="checkbox"/> Not approved
Engineer:		Remarks:
Submittal Date:		
Notes 1:		
Notes 2:		