

## Fig. 224

## Alloy Steel Pipe Clamp

**Size Range:** 4" through 16"

**Material:** Chrome molybdenum steel except U-bolt which is stainless steel.

**Service:** Recommended for suspension of high temperature pipe requiring up to 4" of insulation.

**Maximum Temperature:** 1,050° F

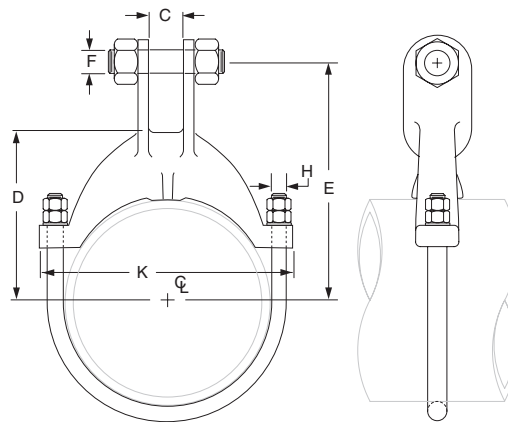
**Approvals:** Complies with Federal Specification A-A-1192A (Type 2) WW-H-171-E (Type 2), ANSI/MSS SP-69 and MSS SP-58 (Type 2).

**Installation:** Normally used with welded eye rod Fig. 278, see page 79, or weldless eye nut Fig. 290, see page 83.

**Features:**

- Designed for the support of loads at temperatures up to 1,050° F.
- Designed to satisfy most critical engineering specifications.
- Yoke has rugged cross sectional area, eliminating high stress conditions.
- When used on pipe with 4" of insulation the top bolt is outside of the insulation.

**Ordering:** Specify pipe size, figure number and name.



**FIG. 224: LOADS (LBS) • WEIGHT (LBS) • DIMENSIONS (IN)**

Pipe Size	Max Load ■				Weight	C	D	Rod Take Out E	F	H	K
	750° F	950° F	1,000° F	1,050° F							
4	3,780	3,300	2,770	1,890	4.0	1 <sup>1</sup> / <sub>16</sub>	3 <sup>7</sup> / <sub>8</sub>	6 <sup>3</sup> / <sub>4</sub>	7 <sup>7</sup> / <sub>8</sub>	1/2	6 <sup>1</sup> / <sub>2</sub>
6	6,060	5,290	4,440	3,030	7.5	1 <sup>7</sup> / <sub>16</sub>	5 <sup>7</sup> / <sub>16</sub>	8 <sup>5</sup> / <sub>16</sub>	1	5/8	9 <sup>1</sup> / <sub>8</sub>
8					9.0		6 <sup>11</sup> / <sub>16</sub>	9 <sup>9</sup> / <sub>16</sub>			11 <sup>1</sup> / <sub>8</sub>
10	9,060	7,910	6,640	4,420	15.8	1 <sup>15</sup> / <sub>16</sub>	8 <sup>3</sup> / <sub>8</sub>	10 <sup>7</sup> / <sub>8</sub>	1 <sup>1</sup> / <sub>8</sub>	3/4	13 <sup>5</sup> / <sub>8</sub>
12	12,570	10,980	9,015	6,010	24.3		10 <sup>1</sup> / <sub>8</sub>	12 <sup>7</sup> / <sub>8</sub>	1 <sup>1</sup> / <sub>2</sub>	7/8	16 <sup>1</sup> / <sub>8</sub>
14					26.3		11 <sup>1</sup> / <sub>8</sub>	13 <sup>7</sup> / <sub>8</sub>			17 <sup>7</sup> / <sub>8</sub>
16					31.0	12 <sup>1</sup> / <sub>4</sub>	15	19 <sup>5</sup> / <sub>8</sub>			

■ Based on the allowable stresses shown in the ASME Code for Pressure Piping. Over tightening of nuts may overstress U-bolts reducing the load rating. Installation tag attached to clamp gives proper nut tightening.

PROJECT INFORMATION		APPROVAL STAMP	
Project:		<input type="checkbox"/> Approved	
Address:		<input type="checkbox"/> Approved as noted	
Contractor:		<input type="checkbox"/> Not approved	
Engineer:		Remarks:	
Submittal Date:			
Notes 1:			
Notes 2:			