

Fig. 192

Adjustable Pipe Saddle Support

Size Range: 2" through 12"

Material: Carbon steel

Finish: Plain or Galvanized

Service: Stanchion type support for **stationary** pipe where vertical adjustment is required.

Approvals: Complies with Federal Specification A-A-1192A (Type 38), ANSI/MSS SP-69 and MSS SP-58 (Type 38).

Ordering: Specify pipe size to be supported, figure number, name and finish.

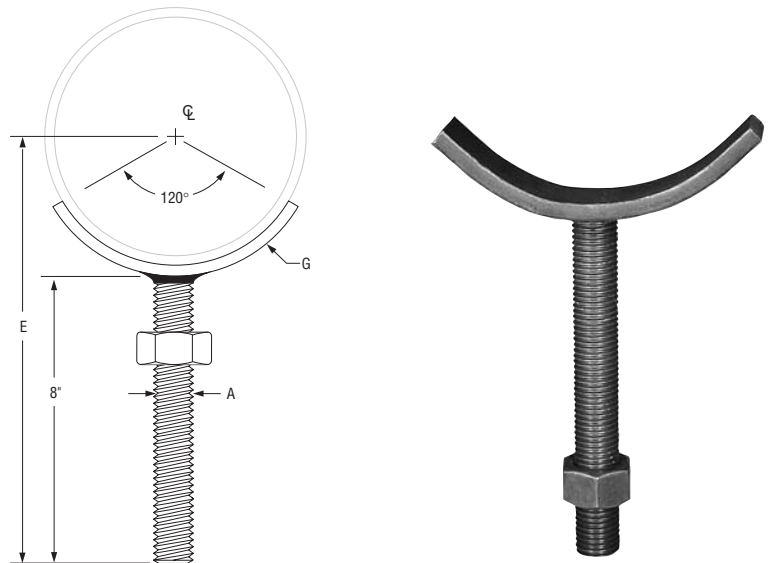


FIG. 192: WEIGHTS (LBS) • DIMENSIONS (IN)

| Pipe Size | Rod Size A | E | G | Weight |
|-----------|------------|----------------------------------|----------|--------|
| 2 | 5/8 | 9 ⁷ / ₁₆ | 1/4 x 1 | 1.0 |
| 2½ | | 9 ¹¹ / ₁₆ | | 1.4 |
| 3 | | 10 | | 1.6 |
| 3½ | | 10¼ | | 2.6 |
| 4 | 7/8 | 10½ | 1/4 x 1¼ | 3.0 |
| 5 | | 11 | | 3.2 |
| 6 | 1 | 11 ¹¹ / ₁₆ | 3/8 x 1½ | 4.9 |
| 8 | | 12 ¹¹ / ₁₆ | | 6.2 |
| 10 | 1¼ | 13 ⁷ / ₈ | ½ x 2 | 10.5 |
| 12 | | 14 ⁷ / ₈ | | 11.8 |

PROJECT INFORMATION

APPROVAL STAMP

| | |
|------------------------|--|
| Project: | <input type="checkbox"/> Approved |
| Address: | <input type="checkbox"/> Approved as noted |
| Contractor: | <input type="checkbox"/> Not approved |
| Engineer: | Remarks: |
| Submittal Date: | |
| Notes 1: | |
| Notes 2: | |