



# 6P SERIES

## Cast Iron Full Port

### Class 125 Flanged Ball Valve

<b>Job Name:</b>	<b>Contractor:</b>
<b>Job Location:</b>	<b>P.O. Number:</b>
<b>Engineer:</b>	<b>Representative:</b>
<b>Tag:</b>	<b>Wholesale Distributor:</b>

#### DESCRIPTION

The Apollo® International 6P-series Full Port Ball Valves offer unobstructed turbulence-free flow that gate and butterfly valves can't match. Compact design and low profile handle for easy installation in tight areas. Same face to face dimensions as class 125 and 150 gate valves per ANSI B.16.10.

#### FEATURES

- Stainless Steel Ball & Stem
- Cast Iron Body & Retainer
- Full Port Ball Configuration in all sizes
- Adjustable Packing Gland
- Blow-Out Proof Stem Design
- PTFE Seats and Stem Packing
- 8" and 10" models supplied with gear operator
- Large 4-Bolt Actuator Mounting Pad



**Lead Free**

#### PERFORMANCE RATING

- Maximum Pressure: 200 psi CWP, 125 psi SWP
- Maximum Temperature: 350°F
- Vacuum Service to 29 in. Hg

#### STANDARD MATERIALS LIST

Part Name	Material
Handle	Ductile Iron 2"-6"
Stem Packing	PTFE
Stem Bearing	PTFE
Ball	304 SS
Seat (2)	PTFE
Gland	Cast Iron, ASTM A 126 Class B
Stem	304 SS
Body Bolt	Steel ASTM A6
Retainer	Cast Iron, ASTM A 126 Class B
Body	Cast Iron, ASTM A 126 Class B

#### REPAIR AND HANDLE KITS

Size	Repair Kit	Handle Kit	2" Sq. Nut
2"	6P02801	78141301	H305405
2 1/2"	6P02901	78141401	H305505
3"	6P02001	78141501	H305505
4"	6P02A01	78141601	H305605
6"	6P02C01	78141701	H305705
8"	6P02E01	N/A	N/A
10"	6P02G01	N/A	N/A

#### COMPLIANCE

- MSS SP-72, "Ball Valves with Flanged or Butt Welding Ends"
- ASME B16.10, "Face to Face, End to End Dimensions of Valves"
- ASME B16.1, "Cast Iron Pipe Flanges and Flanged Fittings"
- Federal Specification WW-V-35, Type II, Style 3

#### VALVE OPERATING TORQUE

SIZE, IN	RATINGS, Cv	MAX. OPERATING TORQUE IN-LBS
2"	330	500
2 1/2"	420	800
3"	800	800
4"	1,300	1,200
6"	3,300	2,000
*8"	9,000	4,600
*10"	12,400	5,300

\* With manual gear operator

Conbraco Industries, Inc. 701 Matthews Mint Hill Rd. Matthews NC 28106 USA; [www.apollovalves.com](http://www.apollovalves.com); 704-841-6000

This specification is provided for reference only. Conbraco reserves the right to change any portion of this specification without notice and without incurring obligation to make such changes to Conbraco products previously or subsequently sold.



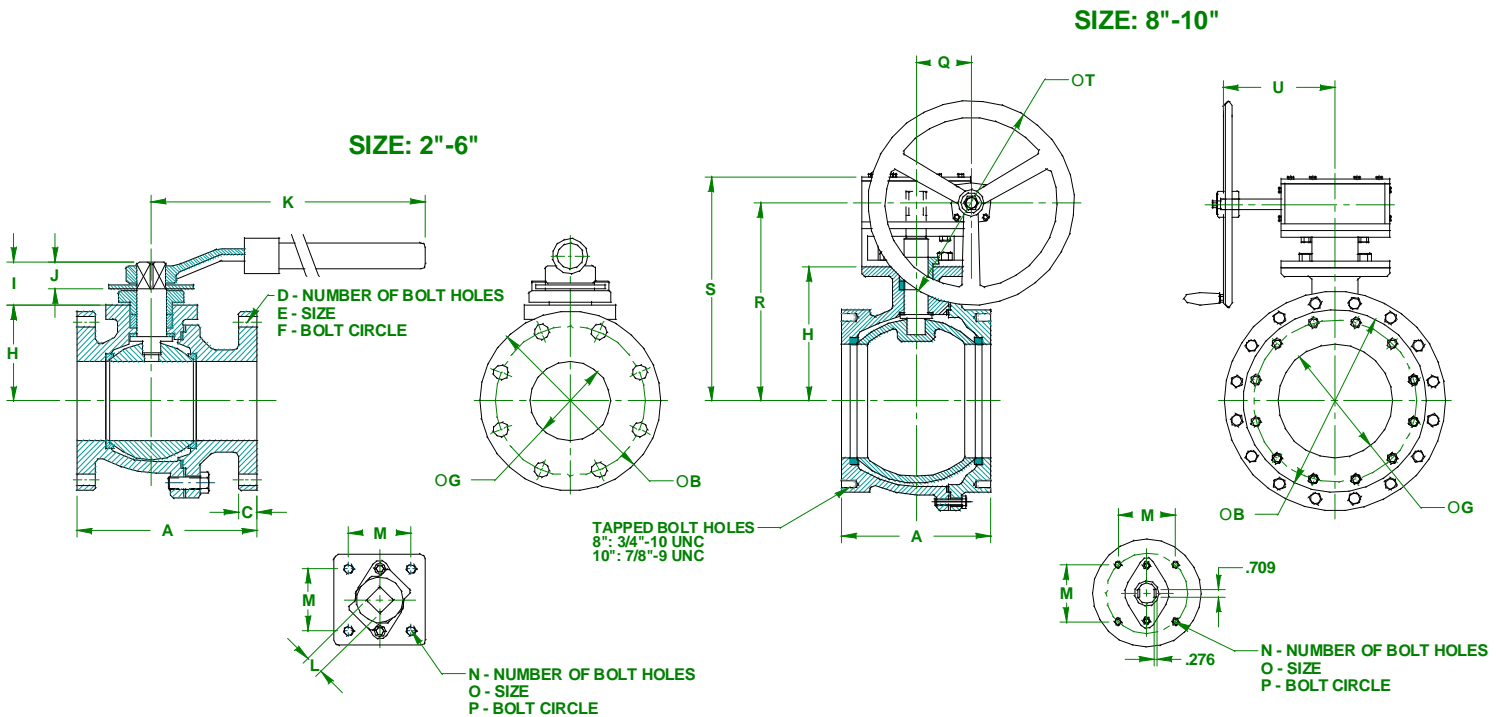
# 6P SERIES

## Cast Iron Full Port

### Class 125 Flanged Ball Valve

#### 6P Series Part Numbering Guide

Size (in)	Part Number	
	Lever Operated	Gear Operated
2	6P20801	6P208MG
2 1/2	6P20901	6P2090MG
3	6P20001	6P200MG
4	6P20A01	6P20AMG
6	6P20C01	6P20CMG
8	N/A	6P20E01
10	N/A	6P20G01



SIZE (IN.)	DIMENSIONS																				WT. (LBS.)	
	A	B	C	D	E	F	G	H	I	J	K	L	M	N	O	P	Q	R	S	T		U
2"	7.0	6.0	0.6	4	0.75	4.8	2.0	3.0	2.0	1.0	11.0	0.63	2.28	4	1/2-13 UNC	3.23	-	-	-	-	-	22
2-1/2"	7.5	7.0	0.7	4	0.75	5.5	2.5	3.7	2.0	1.0	16.5	0.78	2.92	4	1/2-13 UNC	4.13	-	-	-	-	-	34
3"	8.0	7.5	0.8	4	0.75	6.0	3.0	4.0	2.2	1.0	16.5	0.78	2.92	4	1/2-13 UNC	4.13	-	-	-	-	-	38
4"	9.0	9.0	0.9	8	0.75	7.5	4.0	4.8	2.2	1.0	18.1	0.94	3.12	4	1/2-13 UNC	4.41	-	-	-	-	-	58
6"	10.5	11.0	1.0	8	0.88	9.5	6.0	7.2	2.8	1.7	21.7	1.08	3.62	4	5/8-11 UNC	5.12	-	-	-	-	-	118
*8"	11.5	13.5	-	8	-	11.8	8.0	9.2	4.5	-	-	-	5.01	4	3/4-10 UNC	7.09	4.80	14.84	17.14	18.00	9.72	345
*10"	13.0	16.0	-	12	-	14.3	10.0	11.8	4.5	-	-	-	5.01	4	3/4-10 UNC	7.09	4.80	17.41	19.71	18.00	9.72	440

\* Standard with gear operator

Conbraco Industries, Inc. 701 Matthews Mint Hill Rd. Matthews NC 28106 USA; [www.apollovalves.com](http://www.apollovalves.com); 704-841-6000

This specification is provided for reference only. Conbraco reserves the right to change any portion of this specification without notice and without incurring obligation to make such changes to Conbraco products previously or subsequently sold.