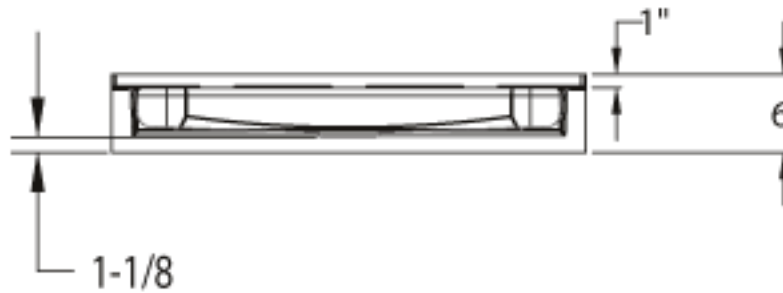
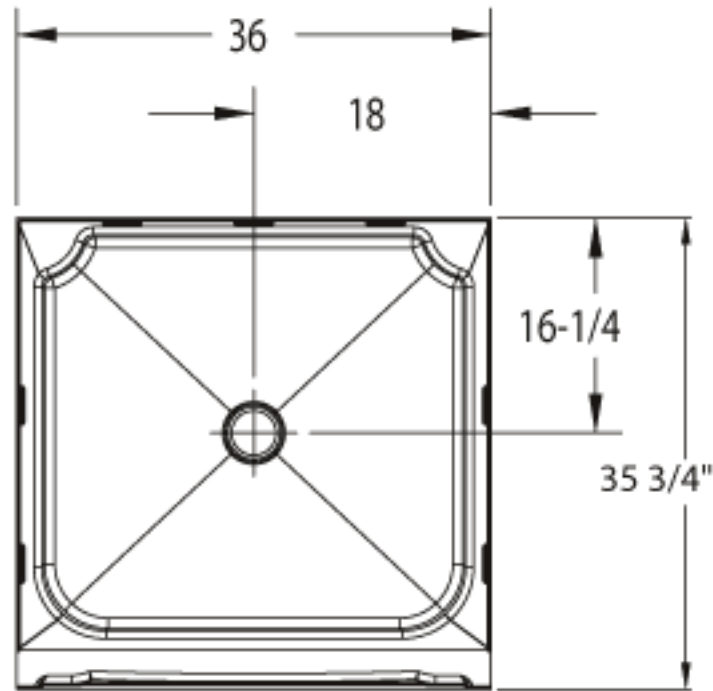


INFORMATION IN THIS DRAWING IS  
 SUBJECT TO CHANGE WITHOUT NOTICE.  
 NO PART OF THIS DRAWING MAY BE  
 REPRODUCED OR TRANSMITTED IN ANY  
 FORM OR BY ANY MEANS, ELECTRONIC  
 OR MECHANICAL, FOR ANY PURPOSE  
 WITHOUT THE WRITTEN PERMISSION OF  
 AQUA GLASS CORPORATION.



TOLERANCE: ±1/8	GAL. TO OVERFLOW: N/A	GENERAL NOTES
REV: B	OPERATING CAPACITY: N/A	
SCO NO.: 2867	DRAWN BY: NPD	
SCO DATE: 01-09-09	FIN. INTERIOR: XX in 2	

**AQUA GLASS®**

320 INDUSTRIAL PARK RD.  
 ADAMSVILLE, TN 38310

PRODUCT OR PART NO.:  
**753636BC**  
 PRODUCT NAME  
**PRO-ELEGANZA  
 SHOWER BASE**