



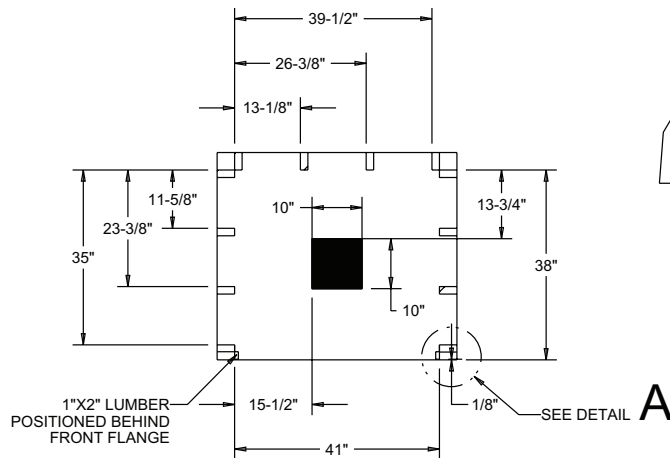
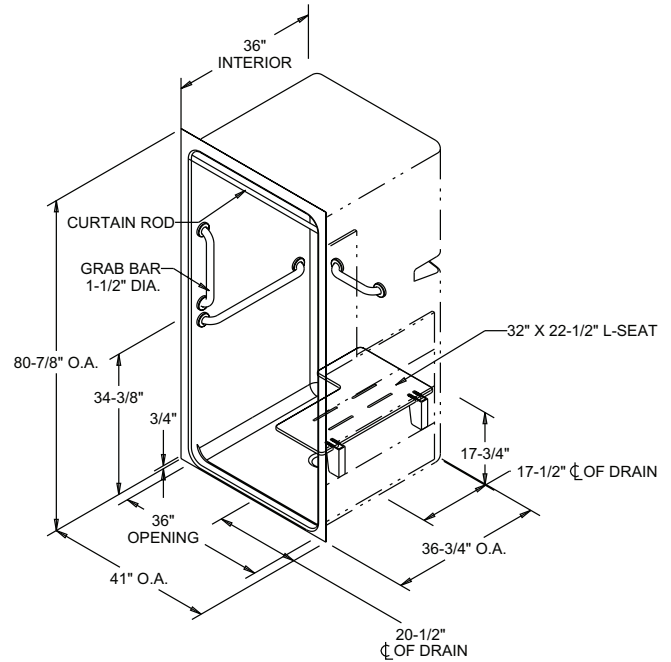
ICC/ANSI A117.1-2003
IAPMO/ANSI Z124.1.2-2005

634137DL

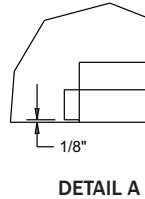
41" x 36 3/4" x 80 7/8"

3/4" Threshold

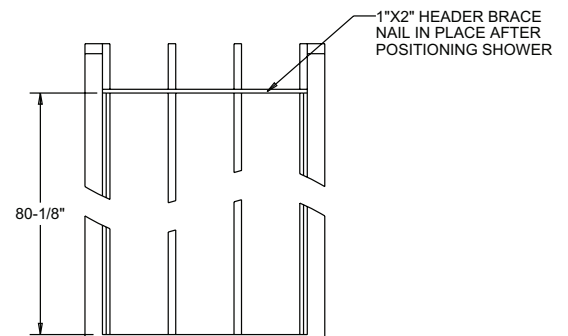
- ADA compliant
- Textured bottom
- 1 - 12" Horizontal bar on back wall
- 1 - 18" Vertical bar on side wall
- 1 - 27" Horizontal bar on side wall
- 2 shelves
- Fold down wood grain seat
- Chrome curtain rod
- Antimicrobial green curtain



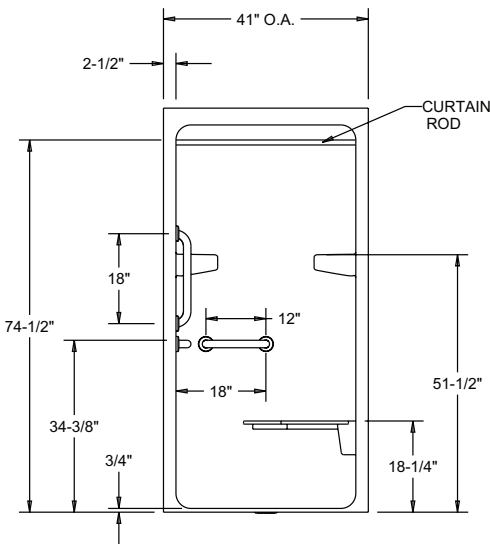
**DRAIN CUTAWAY & STUD PLACEMENT
TOP VIEW**



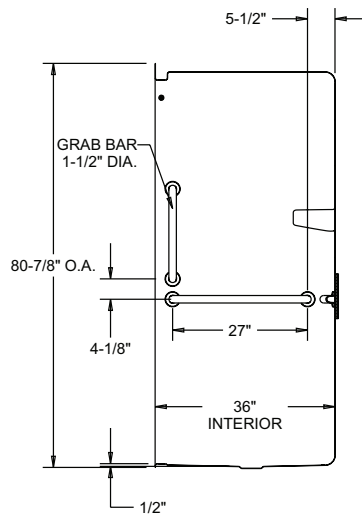
DETAIL A



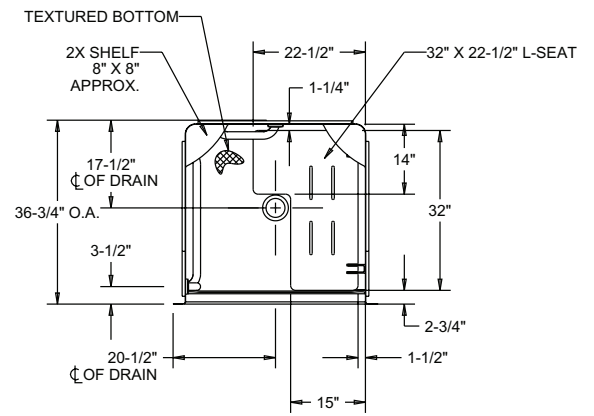
**DRAIN CUTAWAY & STUD PLACEMENT
FRONT VIEW**



FRONT VIEW



SIDE VIEW



TOP VIEW