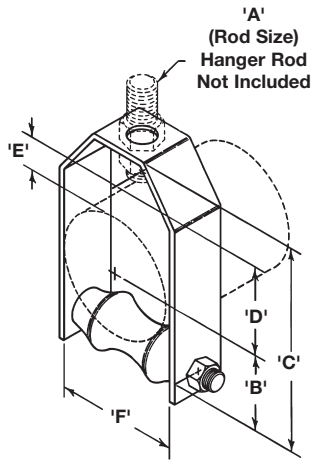


Pipe Rollers & Roller Supports



- 'A'
(Rod Size)
Hanger Rod
Not Included
- 'B'
Center of axle to
center of pipe.
- 'C'
Center of axle to
top of hanger steel.
- 'D'
Rod Take-Out
Center of pipe to
bottom of hanger rod.
- 'E'
Adjustment
Top of pipe to bottom
of hanger rod nut.

Material: Steel with Cast Iron Roller

Standard Finish: Plain, Electro-Plated or Dura-Green®

Service: Designed for suspending pipe where longitudinal movement and vertical adjustment is required. When used with insulated pipe, see B3160-B3165 Pipe Covering Protection Saddle charts for proper sizing on pages 118 thru 123.

Ordering: Specify part number and finish.

Approvals: Complies with Federal Specification WW-H-171E & A-A-1192A Type 44 and Manufacturers Standardization Society MSS SP-69 & SP-58 Type 43.

Note: If using D.I. pipe refer to page 237 for sizing. Non-metallic rollers with stainless steel yoke and hardware are available for most sizes (B3110NM-Pipe Size). Contact B-Line Engineering for more information.

Note: Not for continuous cycling applications.

Figure B3110 Adjustable Steel Yoke Pipe Roll

Part No.	Nominal Pipe Size		Rod Size 'A'	'B'		'C'		'D'		'E'	
B3110-2	2"	(50)	3/8"-16	19/16"	(39.7)	43/4"	(120.6)	23/8"	(60.3)	17/16"	(36.5)
B3110-2 1/2	2 1/2"	(65)	1/2"-13	17/8"	(47.6)	6"	(152.4)	33/16"	(81.0)	2"	(50.8)
B3110-3	3"	(80)	1/2"-13	23/16"	(55.6)	6 5/8"	(168.3)	3 1/2"	(88.9)	2"	(50.8)
B3110-3 1/2	3 1/2"	(90)	1/2"-13	2 1/2"	(63.5)	7 1/4"	(184.1)	3 3/4"	(95.2)	2"	(50.8)
B3110-4	4"	(100)	5/8"-11	2 3/4"	(69.8)	7 7/8"	(200.0)	4"	(101.6)	2"	(50.8)
B3110-5	5"	(125)	5/8"-11	3 3/8"	(85.7)	9 3/16"	(233.4)	4 9/16"	(115.9)	2"	(50.8)
B3110-6	6"	(150)	3/4"-10	3 15/16"	(100.0)	10 3/8"	(263.5)	5 1/16"	(128.6)	2"	(50.8)
B3110-8	8"	(200)	3/4"-10	5 1/16"	(128.6)	12 5/8"	(320.7)	6 1/16"	(154.0)	2"	(50.8)
B3110-10	10"	(250)	7/8"-9	6 1/4"	(158.7)	14 15/16"	(379.4)	7 3/16"	(182.6)	2 1/16"	(52.4)
B3110-12	12"	(300)	7/8"-9	7 3/8"	(187.3)	17 3/8"	(441.3)	8 3/8"	(212.7)	2 1/4"	(57.1)
B3110-14	14"	(350)	1"-8	8 1/4"	(209.5)	19"	(482.6)	8 3/4"	(222.2)	2 1/4"	(57.1)
B3110-16	16"	(400)	1"-8	9 1/4"	(234.9)	20 3/4"	(527.0)	9 3/4"	(247.6)	2"	(50.8)
B3110-18	18"	(450)	1"-8	10 3/8"	(263.5)	23 11/16"	(601.7)	11 7/16"	(290.5)	2 11/16"	(68.3)
B3110-20	20"	(500)	1 1/4"-7	11 1/2"	(292.1)	25 7/8"	(657.2)	12 1/4"	(311.1)	2 1/2"	(63.5)
B3110-24	24"	(600)	1 1/2"-6	13 13/16"	(350.8)	31 9/16"	(801.7)	15"	(381.0)	3 1/2"	(88.9)

Part No.	'F'	Maximum O.D. Covering		Design Load		Wt./C		
				Lbs.	kN	Lbs.	kg	
B3110-2	27/8"	(73.0)	2 5/8"	(66.7)	150	(.67)	123	(55.8)
B3110-2 1/2	3 1/4"	(82.5)	3"	(76.2)	225	(1.00)	178	(80.7)
B3110-3	3 7/8"	(98.4)	3 5/8"	(92.1)	310	(1.38)	206	(93.4)
B3110-3 1/2	4 3/8"	(111.1)	4 1/8"	(104.8)	390	(1.73)	267	(121.1)
B3110-4	4 7/8"	(123.8)	4 11/16"	(119.1)	475	(2.11)	344	(156.0)
B3110-5	5 15/16"	(150.8)	5 3/4"	(146.0)	685	(3.04)	600	(272.1)
B3110-6	7"	(177.8)	6 3/4"	(171.4)	780	(3.47)	800	(362.9)
B3110-8	9"	(228.6)	8 3/4"	(222.2)	780	(3.47)	1300	(589.7)
B3110-10	11 1/8"	(282.6)	10 3/4"	(273.0)	965	(4.29)	1600	(725.7)
B3110-12	13 3/8"	(339.7)	13"	(330.2)	1200	(5.34)	2600	(1179.3)
B3110-14	14 1/2"	(368.3)	14 1/4"	(361.9)	1200	(5.34)	3400	(1542.2)
B3110-16	16 3/8"	(415.9)	16 1/8"	(409.6)	1200	(5.34)	3900	(1769.0)
B3110-18	18 3/8"	(466.7)	18 1/8"	(460.4)	1400	(6.23)	4900	(2222.6)
B3110-20	20 3/8"	(517.5)	20 1/8"	(511.2)	1600	(7.11)	6686	(3032.7)
B3110-24	24 5/8"	(625.5)	24 3/8"	(619.1)	1800	(8.00)	11630	(5275.3)

All dimensions in charts and on drawings are in inches. Dimensions shown in parentheses are in millimeters unless otherwise specified.