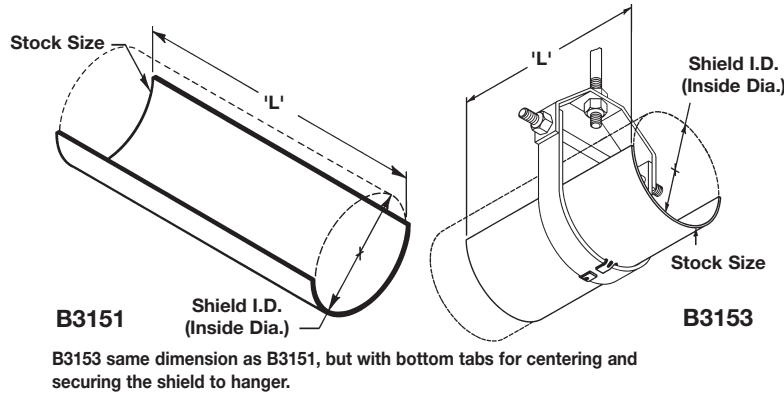


Pipe Supports, Guides, Shields & Saddles



Material: Steel (Stainless steel available)

Standard Finish: Pre-Galvanized

Service: Designed to protect pipe insulation when used with hangers.

Ordering: Specify part number and finish.

Approvals: Complies with Federal Specification WW-H-171E & A-A-1192A Type 41 and Manufacturers Standardization Society MSS SP-69 & SP-58 Type 40.

Note: See Selection Tables on page 124 for proper sizing.

Figure B3151 Insulation Protection Shield
Figure B3153 Insulation Protection Shield with "Loc" Tabs

Part No.	Part No.	Stock Size		'L'		Shield 'I.D.'		Wt./C		Required Pipe Hanger Size	
		Ga.	(mm)	"	(mm)	"	(mm)	Lbs.	kg	"	(mm)
B3151-1X	B3153-1X	18 Ga.	(1.2)	12"	(304.8)	1.90	(48.2)	50	(22.7)	1 1/2"	(40)
B3151-2X	B3153-2X	18 Ga.	(1.2)	12"	(304.8)	2.38	(60.4)	62	(28.1)	2"	(50)
B3151-3X	B3153-3X	18 Ga.	(1.2)	12"	(304.8)	2.88	(73.1)	75	(34.0)	2 1/2"	(65)
B3151-4X	B3153-4X	18 Ga.	(1.2)	12"	(304.8)	3.50	(88.9)	92	(41.7)	3"	(80)
B3151-5X	B3153-5X	18 Ga.	(1.2)	12"	(304.8)	4.00	(101.6)	104	(47.2)	3 1/2"	(90)
B3151-6X	B3153-6X	18 Ga.	(1.2)	12"	(304.8)	4.50	(114.3)	118	(53.5)	4"	(100)
B3151-7X	B3153-7X	18 Ga.	(1.2)	12"	(304.8)	5.00	(127.0)	129	(58.5)	5"	(125)
B3151-8X	B3153-8X	18 Ga.	(1.2)	12"	(304.8)	5.56	(141.2)	147	(66.7)	5"	(125)
B3151-9X	B3153-9X	16 Ga.	(1.5)	12"	(304.8)	6.64	(168.6)	219	(99.3)	6"	(150)
B3151-10X	B3153-10X	16 Ga.	(1.5)	12"	(304.8)	7.64	(194.0)	253	(114.7)	8"	(200)
B3151-11X	B3153-11X	16 Ga.	(1.5)	12"	(304.8)	8.64	(219.4)	286	(129.7)	8"	(200)
B3151-10Y	--	16 Ga.	(1.5)	18"	(457.2)	7.64	(194.0)	377	(171.0)	8"	(200)
B3151-11Y	--	16 Ga.	(1.5)	18"	(457.2)	8.64	(219.4)	424	(192.3)	8"	(200)
B3151-12Y	--	16 Ga.	(1.5)	18"	(457.2)	9.64	(244.8)	475	(215.4)	10"	(250)
B3151-13Y	--	16 Ga.	(1.5)	18"	(457.2)	10.76	(273.3)	529	(239.9)	10"	(250)
B3151-14Z	--	14 Ga.	(1.9)	24"	(609.6)	11.76	(298.7)	964	(437.3)	12"	(300)
B3151-15Z	--	14 Ga.	(1.9)	24"	(609.6)	12.76	(324.1)	1045	(474.0)	12"	(300)
B3151-16Z	--	14 Ga.	(1.9)	24"	(609.6)	14.00	(355.6)	1146	(519.8)	14"	(350)
B3151-17Z	--	14 Ga.	(1.9)	24"	(609.6)	15.00	(381.0)	1227	(556.5)	16"	(400)
B3151-18Z	--	14 Ga.	(1.9)	24"	(609.6)	16.00	(406.4)	1308	(593.3)	16"	(400)
B3151-19Z	--	14 Ga.	(1.9)	24"	(609.6)	17.00	(431.8)	1393	(631.8)	18"	(450)
B3151-20Z	--	12 Ga.	(2.6)	24"	(609.6)	18.00	(457.2)	2064	(936.2)	18"	(450)
B3151-21Z	--	12 Ga.	(2.6)	24"	(609.6)	19.00	(482.6)	2178	(987.9)	20"	(500)
B3151-22Z	--	12 Ga.	(2.6)	24"	(609.6)	20.00	(508.0)	2292	(1039.6)	20"	(500)
B3151-23Z	--	12 Ga.	(2.6)	24"	(609.6)	21.00	(533.4)	2406	(1091.3)	24"	(600)
B3151-24Z	--	12 Ga.	(2.6)	24"	(609.6)	22.00	(558.8)	2520	(1143.1)	24"	(600)
B3151-25Z	--	12 Ga.	(2.6)	24"	(609.6)	23.00	(584.2)	2634	(1194.8)	24"	(600)
B3151-26Z	--	12 Ga.	(2.6)	24"	(609.6)	24.00	(609.6)	2753	(1248.7)	24"	(600)
B3151-27Z	--	12 Ga.	(2.6)	24"	(609.6)	25.00	(635.0)	2862	(1298.2)	30"	(750)
B3151-28Z	--	12 Ga.	(2.6)	24"	(609.6)	26.00	(660.4)	2980	(1351.7)	30"	(750)
B3151-29Z	--	12 Ga.	(2.6)	24"	(609.6)	27.00	(685.8)	3094	(1403.4)	30"	(750)
B3151-30Z	--	12 Ga.	(2.6)	24"	(609.6)	28.00	(711.2)	3208	(1455.1)	30"	(750)

All dimensions in charts and on drawings are in inches. Dimensions shown in parentheses are in millimeters unless otherwise specified.