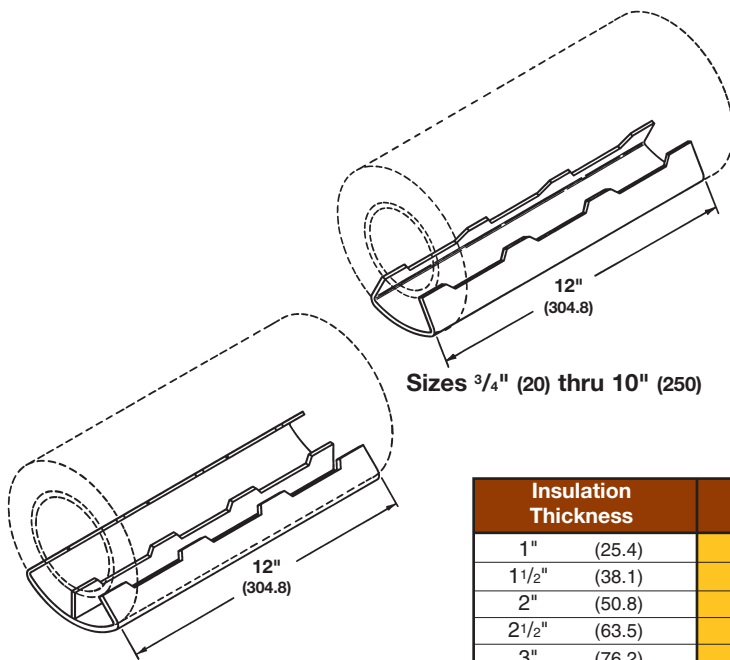


# Pipe Supports, Guides, Shields & Saddles



Sizes 12" (300) and larger

**Material:** Carbon Steel; Stainless Steel available

**Standard Finish:** Plain or Electro-Plated

**Service:** Designed to protect pipe insulation on high temperature pipe lines. Saddles are 12" (304.8) long. Center rib is furnished on all saddle sizes 12" (300) and above.

**Ordering:** Specify part number and finish. Select Part Number by insulation thickness and add nominal pipe size (Ex: B3161-1 1/4 PLN).

**Approvals:** Complies with Federal Specification WW-H-171E & A-A-1192A Type 40A and Type 40B and Manufacturers Standardization Society MSS SP-69 & SP-58 Type 39A and Type 39B.

Insulation Thickness	Part Number
1" (25.4)	B3160
1 1/2" (38.1)	B3161
2" (50.8)	B3162
2 1/2" (63.5)	B3163
3" (76.2)	B3164
4" (101.6)	B3165

## Pipe Covering Protection Saddle

Part No.	Nominal Pipe Size		Size For Roller Part Number			Design Load		Wt./C	
			B3114 B3120 B3122 B3122A	B3117SL B3118SL B3119SL B3124 B3126	B3110	Lbs.	kN	Lbs.	kg
B3160-3/4	3/4"	(20)	2	2-3 1/2	2 1/2	1200	(5.34)	122	(55.3)
B3161-3/4			3	2-3 1/2	3 1/2	1200	(5.34)	228	(103.4)
B3162-3/4			4	2-3 1/2	5	1200	(5.34)	297	(134.7)
B3160-1	1"	(25)	2 1/2	2-3 1/2	3	1200	(5.34)	156	(70.7)
B3161-1			3	2-3 1/2	4	1200	(5.34)	228	(103.4)
B3162-1			4	2-3 1/2	5	1200	(5.34)	297	(134.7)
B3160-1 1/4	1 1/4"	(32)	2 1/2	2-3 1/2	3	1200	(5.34)	156	(70.7)
B3161-1 1/4			3 1/2	2-3 1/2	5	1200	(5.34)	228	(103.4)
B3162-1 1/4			4	2-3 1/2	5	1200	(5.34)	297	(134.7)
B3163-1 1/4			5	4-6	6	1200	(5.34)	342	(155.1)
B3160-1 1/2	1 1/2"	(40)	3	2-3 1/2	3 1/2	1200	(5.34)	172	(78.0)
B3161-1 1/2			3 1/2	2-3 1/2	5	1200	(5.34)	239	(108.4)
B3162-1 1/2			5	4-6	6	1800	(8.00)	311	(141.0)
B3163-1 1/2			6	4-6	8	1800	(8.00)	417	(189.1)
B3160-2	2"	(50)	3 1/2	2-3 1/2	4	1200	(5.34)	172	(78.0)
B3161-2			4	2-3 1/2	5	1200	(5.34)	239	(108.4)
B3162-2			5	4-6	6	1800	(8.00)	311	(141.0)
B3163-2			6	4-6	8	1800	(8.00)	417	(189.1)
B3164-2			8	4-6	8	1800	(8.00)	441	(200.0)
B3160-2 1/2	2 1/2"	(65)	3 1/2	2-3 1/2	5	1200	(5.34)	210	(95.2)
B3161-2 1/2			5	4-6	6	1200	(5.34)	268	(121.5)
B3162-2 1/2			6	4-6	8	1800	(8.00)	358	(162.4)
B3163-2 1/2			8	4-6	8	1800	(8.00)	417	(189.1)
B3164-2 1/2			8	4-6	10	1800	(8.00)	459	(208.2)

All dimensions in charts and on drawings are in inches. Dimensions shown in parentheses are in millimeters unless otherwise specified.