

For Residential and Commercial Applications

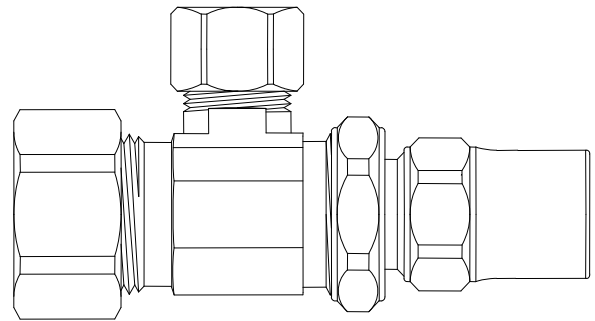
Job Name		Engineer / Architect	
Job Location		Wholesaler	
Submittal Date		Contractor	

STCR19/ STCR39 & SSTCR19 Multi-Turn Angle Stop w/ Loose Key & Stuffing Box – Compression x Compression

Use: For use in potable water distribution systems. Not intended for recirculating water systems that produce continuous use temperatures above 115° F. For those applications, use BrassCraft KT series ball stops

Design Features:

- **Machined one-piece brass body** provides strength, durability and long-lasting performance
- **Oval knurled handle** provides a secure grip and smooth on/off operation
- **Easy-to-remove handle** with screw attachment protects accidental stop operation during rough-ins
- **Compliant Stops** available for California and Vermont “no-lead” requirements.



Operating Specifications:

Temperature: 40°- 140° F

Pressure: 125 psi maximum



Standard

MATERIAL SPECIFICATIONS	
Valve Body	C36000 brass
Stem	C36000 brass
Bib & Packing Washers	Nitrile or EPDM rubber
Packing Nut	C36000 brass
Loose Key	Zinc die cast
Compression Sleeve	C36000 brass
Compression Nut	C36000 brass, chrome plated

Compliant

MATERIAL SPECIFICATIONS	
Valve Body	Compliant brass
Stem	Compliant brass
Bib & Packing Washers	Nitrile or EPDM rubber
Packing Nut	Compliant brass
Loose Key	Zinc die cast
Compression Sleeve	Compliant brass
Compression Nut	C36000 brass, chrome plated

Standard Part Listing:

- STCR19 C 1/2" Nom. Compression x 3/8" OD Compression with loose key & stuffing box, chrome plated
- STCR39 C 1/2" Nom. Compression x 1/2" OD Compression with loose key & stuffing box, chrome plated
- SSTCR19 C 1/2" Nom. Compression x 3/8" OD Compression with screwdriver slot & stuffing box, chrome plated

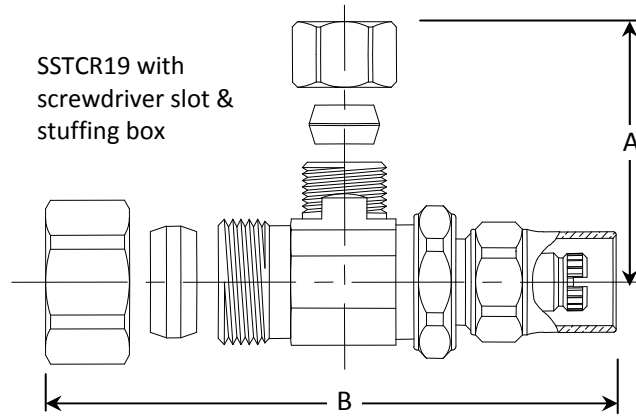
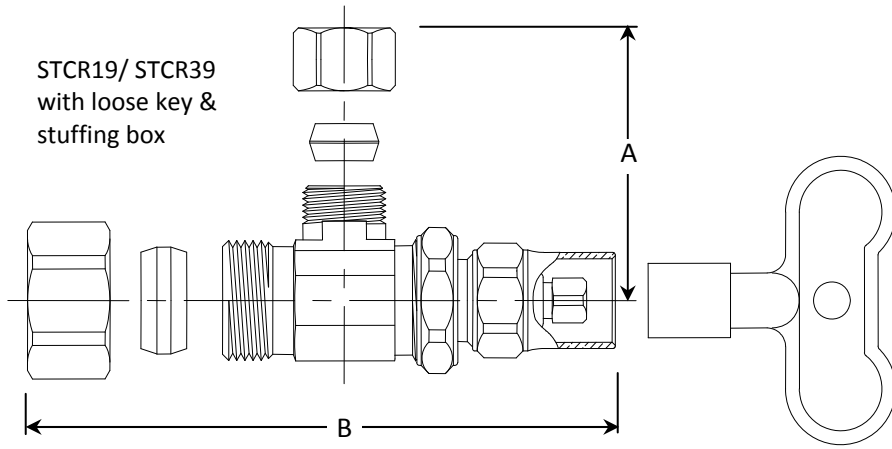
Compliant Part Listing:

- STCR19X C 1/2" Nom. Compression x 3/8" OD Compression with loose key & stuffing box, chrome plated

This specification and all information contained herein is the confidential and exclusive property of BrassCraft Manufacturing, and shall not be disclosed to others without the written consent of BrassCraft. This specification must be returned to BrassCraft if requested.



STCR19/ STCR39 & SSTCR19 Multi-Turn Angle Stop w/ Loose Key & Stuffing Box – Compression x Compression



PART DIMENSIONS (Inches)		
Model	Dim. A	Dim. B
STCR19	1.02	3.00
STCR39	1.11	3.00
SSTCR19	1.02	3.00

Listings & Certifications:

- IAPMO listed to ASME A112.18.1-05 / CSA B125.1-05 (File # 0645)
- CSA listed to ASME A112.18.1-05 / CSA B125.1-05 (File # 204593)
- UL listed to ANSI/NSF 61 Sec. 9 (File # MH25826)
- CSA approved to AB1953 (Project # 2174785)



CLASSIFIED
Drinking Water
System Component
ANSI/NSF 61
59FL



This specification and all information contained herein is the confidential and exclusive property of BrassCraft Manufacturing, and shall not be disclosed to others without the written consent of BrassCraft. This specification must be returned to BrassCraft if requested.

BrassCraft®