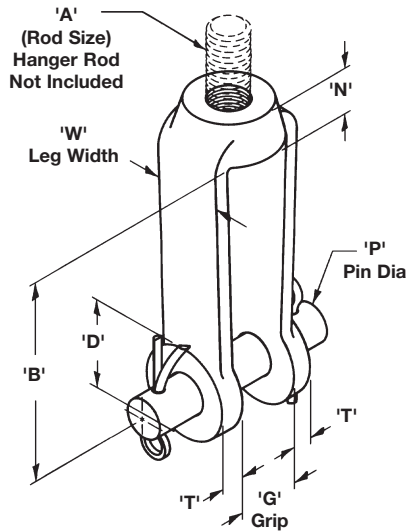


Threaded Accessories



'B'
Center of clevis pin
to underside of top

'D'
Boss Dia.

'N'
Thickness of
threaded top.

Material: Forged Steel

Standard Finish: Plain or Electro-Plated

Service: Designed as an adjustable hanger rod connection for high temperature pipe runs.

Ordering: Specify part number and finish. When ordering with hardware for sizes 3/8" thru 1 1/8", Hex Head Cap Screw and Hex Nut will be supplied. For 1 1/4" thru 2, Clevis Pin and Cotter Pins will be supplied.

Approvals: Complies with Federal Specification WW-H-171E & A-A-1192A Type 14 and Manufacturers Standardization Society MSS SP-69 & SP-58 Type 14.

Figure B3201 Forged Steel Clevis
(Available without hardware as B3201WO-size)

Part No.	Rod Size 'A'	'B'	'D'	Grip 'G'	'N'	Pin Dia. 'P'
B3201-3/8	3/8"-16	39/16" (90.5)	17/16" (36.5)	1/2" (12.7)	5/8" (15.9)	1/2" (12.7)
B3201-1/2	1/2"-13	39/16" (90.5)	17/16" (36.5)	1/2" (12.7)	5/8" (15.9)	5/8" (15.9)
B3201-5/8	5/8"-11	39/16" (90.5)	17/16" (36.5)	5/8" (15.9)	5/8" (15.9)	3/4" (19.0)
B3201-3/4	3/4"-10	4" (101.6)	2 1/2" (63.5)	3/4" (19.0)	1 1/8" (28.6)	7/8" (22.2)
B3201-7/8	7/8"-9	4" (101.6)	2 1/2" (63.5)	7/8" (22.2)	1 1/8" (28.6)	1" (25.4)
B3201-1	1"-8	5 1/16" (128.6)	3" (76.2)	1" (25.4)	1 1/4" (31.7)	1 1/8" (28.6)
B3201-1 1/8	1 1/8"-7	5 1/16" (128.6)	3" (76.2)	1 1/8" (28.6)	1 1/4" (31.7)	1 1/4" (31.7)
B3201-1 1/4	1 1/4"-7	5 1/16" (128.6)	3" (76.2)	1 1/4" (31.7)	1 1/4" (31.7)	1 3/8" (34.9)
B3201-1 1/2	1 1/2"-6	6" (152.4)	3 1/2" (88.9)	1 1/2" (38.1)	1 1/2" (38.1)	1 5/8" (41.3)
B3201-1 3/4	1 3/4"-5	5 15/16" (150.8)	4" (101.6)	1 1/2" (38.1)	1 3/4" (44.4)	1 7/8" (47.6)
B3201-2	2"-4 1/2	7" (177.8)	5" (127.0)	2 1/2" (63.5)	2 1/4" (57.1)	2 1/4" (57.1)

Part No.	'T'	'W'	Design Load				Wt./C			
			650°F (343°C)		750°F (399°C)		With Pin		Without Pin	
			Lbs.	kN	Lbs.	kN	Lbs.	kg	Lbs.	kg
B3201-3/8	5/16" (7.9)	1 1/16" (27.0)	730	(3.25)	572	(2.54)	102	(46.2)	85	(38.5)
B3201-1/2	5/16" (7.9)	1 1/16" (27.0)	1350	(6.00)	1057	(4.70)	112	(50.8)	82	(37.2)
B3201-5/8	5/16" (7.9)	1 1/16" (27.0)	2160	(9.61)	1692	(7.52)	134	(60.8)	78	(35.4)
B3201-3/4	3/8" (9.5)	1 1/4" (31.7)	3230	(14.37)	2530	(11.25)	250	(113.4)	163	(73.9)
B3201-7/8	3/8" (9.5)	1 1/4" (31.7)	4480	(19.93)	3508	(15.60)	305	(138.3)	161	(73.0)
B3201-1	1/2" (12.7)	1 1/2" (38.1)	5900	(26.24)	4620	(20.55)	656	(297.5)	449	(203.6)
B3201-1 1/8	1/2" (12.7)	1 1/2" (38.1)	7450	(33.14)	5830	(25.93)	718	(325.7)	433	(196.4)
B3201-1 1/4	1/2" (12.7)	1 1/2" (38.1)	9500	(42.25)	7440	(33.09)	603	(273.5)	382	(173.3)
B3201-1 1/2	1/2" (12.7)	1 3/4" (44.4)	13800	(61.38)	10807	(48.07)	952	(431.8)	600	(272.1)
B3201-1 3/4	1/2" (12.7)	2" (50.8)	18600	(82.73)	14566	(64.79)	1357	(615.5)	800	(362.9)
B3201-2	5/8" (15.9)	2 1/2" (63.5)	24600	(109.42)	19625	(87.29)	2403	(1090.0)	1600	(725.7)

All dimensions in charts and on drawings are in inches. Dimensions shown in parentheses are in millimeters unless otherwise specified.