

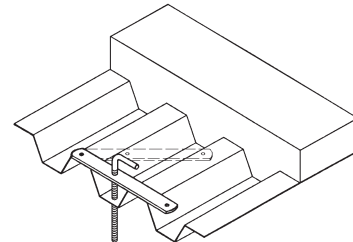
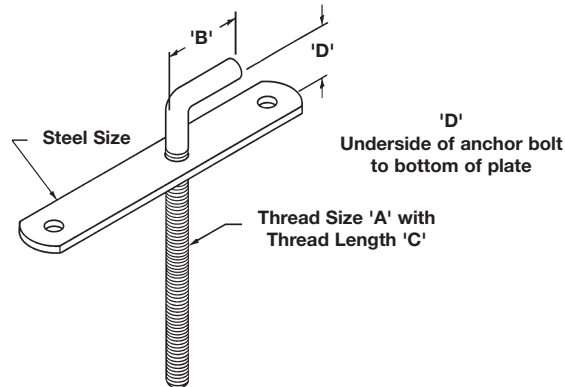
**Material:** Steel

**Standard Finish:** Plain or Electro-Plated

**Service:** Designed for installation in metal deck forms for attachment of hanger rod.

**Ordering:** Specify part number and finish.

**Note:** Design load is based off of rod sizes. Before installation ensure that concrete is sufficient to carry the load.



**Figure B3019 Adjustable Metal Deck Ceiling Bolt**

Part No.	Thread Size 'A'	'B'		Thread Length 'C'		'D'		Steel Size		Design Load		Wt./C	
										Lbs.	kN	Lbs.	kg
B3019-3/8	3/8"-16	2 1/2"	(63.5)	6 3/8"	(161.9)	1 1/4"	(31.7)	7 Ga. x 1 1/4" x 10"	(4.5 x 31.7 x 254.0)	730	(3.25)	80	(36.3)
B3019-1/2	1/2"-13	2 1/2"	(63.5)	6 1/2"	(165.1)	1 1/4"	(31.7)	7 Ga. x 1 1/4" x 10"	(4.5 x 31.7 x 254.0)	1350	(6.00)	99	(44.9)
B3019-5/8	5/8"-11	2 1/2"	(63.5)	6 3/4"	(171.4)	1 1/4"	(31.7)	7 Ga. x 1 1/4" x 10"	(4.5 x 31.7 x 254.0)	2160	(9.61)	129	(58.5)
B3019-3/4	3/4"-10	2 1/2"	(63.5)	6 3/16"	(157.2)	2 1/4"	(57.1)	1/4" x 3" x 10"	(6.3 x 76.2 x 254.0)	3230	(14.37)	238	(107.9)

For maximum load rating, install plate on top of deck ribs.

**Material:** Steel

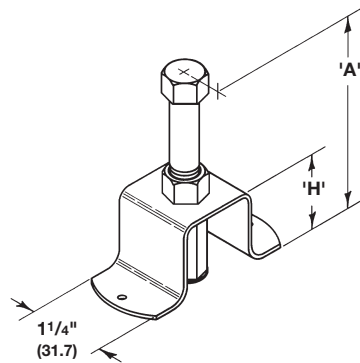
**Standard Finish:** Plain or Electro-Plated

**Service:** Designed to be embedded in concrete for attachment of 1/4"-20 to 1/2"-13 hanger rods.

**Ordering:** Specify part number, size and finish.

**How to Install:** Locate and nail to form. Pour concrete and strip forms when set. Remove color coded plug, install rod and lock with jam nut.

**Note:** Design load is based off of rod sizes. Before installation ensure that concrete is sufficient to carry the load.

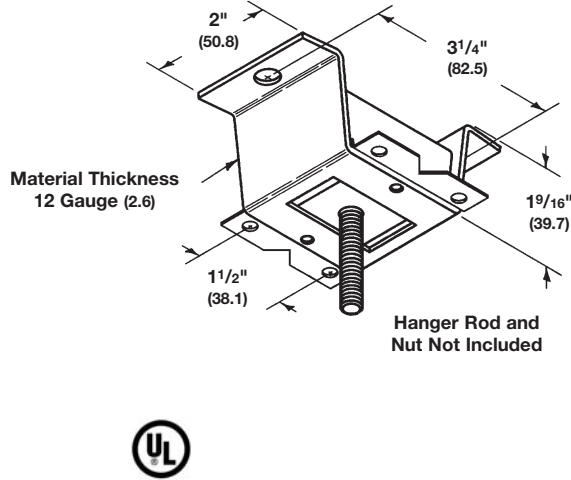


**Figure B2501 Light Duty Spot Insert**

Part No.	Rod Size	'A'		'H'		Design Load		Wt./C	
						Lbs.	kN	Lbs.	kg
B2501-1/4	1/4"-20	2 7/16"	(61.9)	7/8"	(22.2)	250	(1.11)	16	(7.2)
B2501-3/8	3/8"-16	3 1/16"	(77.8)	1 7/8"	(47.6)	730	(3.25)	22	(10.0)
B2501-1/2	1/2"-13	4 1/8"	(104.8)	1 7/8"	(47.6)	1350	(6.00)	26	(11.8)

All dimensions in charts and on drawings are in inches. Dimensions shown in parentheses are in millimeters unless otherwise specified.

# Pipe Supports, Guides, Shields & Saddles



**Material:** Steel

**Standard Finish:** Plain or Electro-Plated

**Service:** Designed to be embedded in concrete to attach 1/4"-20 to 7/8"-9 hanger rods.

**How to Install:** Attach concrete insert to forms and install reinforcing rods as required. After forms are dismantled, the knockout can be removed from the insert. The N2500 Insert Nut can be installed and the rod fastened to the nut. The rod should touch the inside top of the insert but should not be forced further to avoid damaging the insert.

**Ordering:** Specify part number and finish. (Order N2500 nuts separately).

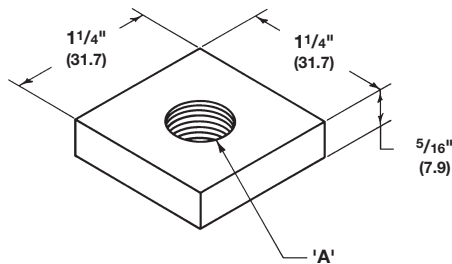
**Weight:** Wt./C 46 Lbs. (20.8 kg)

**Approvals:** Underwriters' Laboratories Listed for maximum pipe size 6" (150). Complies with Federal Specification WW-H-171E & A-A-1192A Type 19 and Manufacturers Standardization Society SP-69 & SP-58 Type 18.

**Design Load:** Loading based on a straight pull of 600 Lbs. (2.67 kN).

**Note:** Before installation ensure that concrete is sufficient to carry the load.

**Figure B2500 Light Duty Spot Insert**



**Material:** Steel

**Standard Finish:** Plain or Electro-Plated

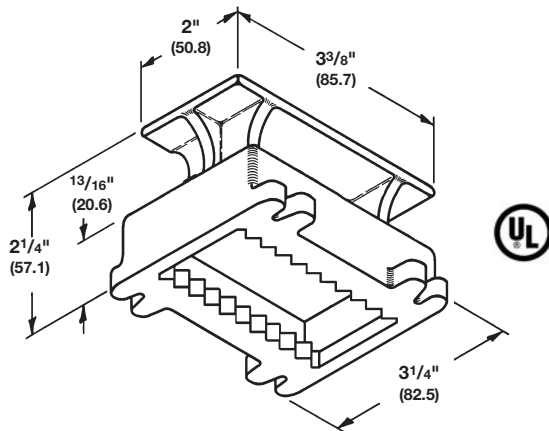
**Service:** Designed for use with B2500 Spot Insert.

**Ordering:** Specify part number and finish.

**Figure N2500 Steel Insert Nut**

Part No.	Tap Size 'A'	Wt./C	
		Lbs.	kg
N2500-1/4	1/4"-20	14	(6.3)
N2500-3/8	3/8"-16	13	(5.9)
N2500-1/2	1/2"-13	12	(5.4)
N2500-5/8	5/8"-11	11	(5.0)
N2500-3/4	3/4"-10	11	(5.0)
N2500-7/8	7/8"-9	10	(4.5)

All dimensions in charts and on drawings are in inches. Dimensions shown in parentheses are in millimeters unless otherwise specified.



**Horizontal Adjustment:**  
 For 3/8"-16, 1/2"-13, 5/8"-11 rods - Adjustment is 1 3/4" (44.4)  
 For 3/4"-10, 7/8"-9 rods - Adjustment is 1 3/16" (30.2)

**Material:** Malleable Iron

**Standard Finish:** Plain or Electro-Plated

**Service:** Designed to be embedded in concrete to attach 3/8"-16 to 7/8"-9 hanger rods.

**Note:** Design Loads based on B3014N Malleable Iron Insert Nut below.

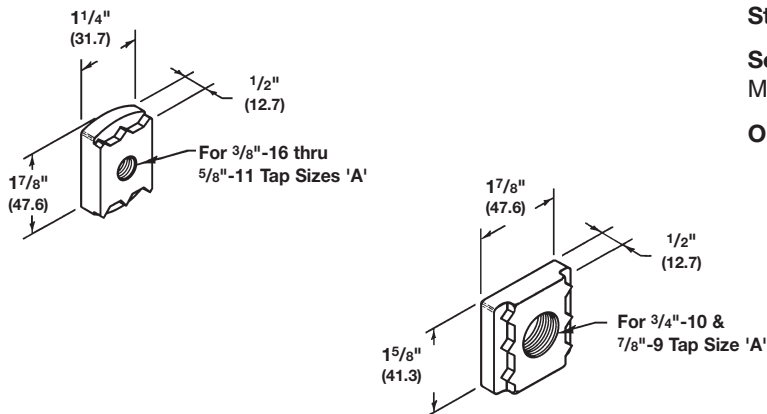
**How to Install:** Attach concrete insert to forms and install reinforcing rods as required. After forms are dismantled, the B3014N nut can be installed and the rod fastened to the nut. The rod should touch the inside top of the insert.

**Ordering:** Specify part number and finish. Order B3014N Insert Nut (sold separately) from below.

**Weight:** Wt./C 166 Lbs. (75.3 kg)

**Approvals:** Underwriters' Laboratories Listed when used with B3014N Insert Nut. Complies with Federal Specification WW-H-171E & A-A-1192A Type 18 and Manufacturers Standardization Society SP-69 & SP-58 Type 18.

**Figure B3014 Malleable Iron Insert**



**Material:** Malleable Iron

**Standard Finish:** Plain or Electro-Plated

**Service:** Designed for use with the B3014 Malleable Iron Insert.

**Ordering:** Specify part number and finish.

**Figure B3014N Malleable Iron Insert Nut**

Part No.	Tap Size 'A'	UL Max. Pipe Size	Design Load*		Wt./C	
			Lbs.	kN	Lbs.	kg
B3014N-3/8	3/8"-16	4"	730	(3.25)	22	(10.0)
B3014N-1/2	1/2"-13	8"	1350	(6.00)	22	(10.0)
B3014N-5/8	5/8"-11	10"	1400	(6.23)	20	(9.1)
B3014N-3/4	3/4"-10	10"	1400	(6.23)	29	(13.1)
B3014N-7/8	7/8"-9	10"	1400	(6.23)	29	(13.1)

• When used with B3014 Malleable Iron Insert.

All dimensions in charts and on drawings are in inches. Dimensions shown in parentheses are in millimeters unless otherwise specified.

# Pipe Supports, Guides, Shields & Saddles

**Material:** Steel (Stainless steel available on B2505 only)

**Standard Finish:** Plain or Pre-Galvanized

**Service:** Designed to be embedded in concrete to attach 1/4"-20 to 7/8"-9 hanger rods.

**Note:** For appropriate channel nut selection, see page 14.

**Ordering:** Specify part number and finish. When supporting 10" (254) pipe, order B2505 Insert with 5/8"-11 Channel Nuts.

**Approvals:** Underwriters' Laboratories Listed. Complies with Manufacturers Standardization Society SP-69 & SP-58 Type 18.

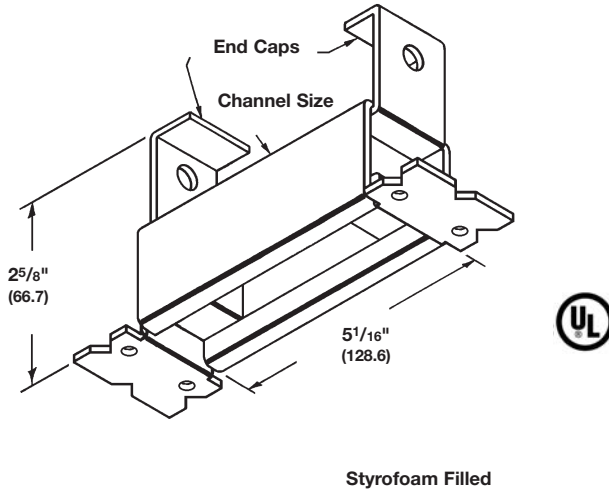


Figure B2505 thru B2508 Spot Insert

Part No.	Channel Size	End Cap Part No.	Design Load		Maximum Pipe Size		Wt./C	
			Lbs.	kN			Lbs.	kg
B2505	B22	B3322	1200	(5.34)	10"	(250)	96	(43.5)
B2506	B32	B3332	1000	(4.45)	8"	(200)	88	(39.9)
B2507	B42	B3342	1000	(4.45)	8"	(200)	77	(34.9)
B2508	B52	B3352	1000	(4.45)	8"	(200)	69	(31.3)

All dimensions in charts and on drawings are in inches. Dimensions shown in parentheses are in millimeters unless otherwise specified.

**Material:** Steel

**Standard Finish:** Electro-Plated

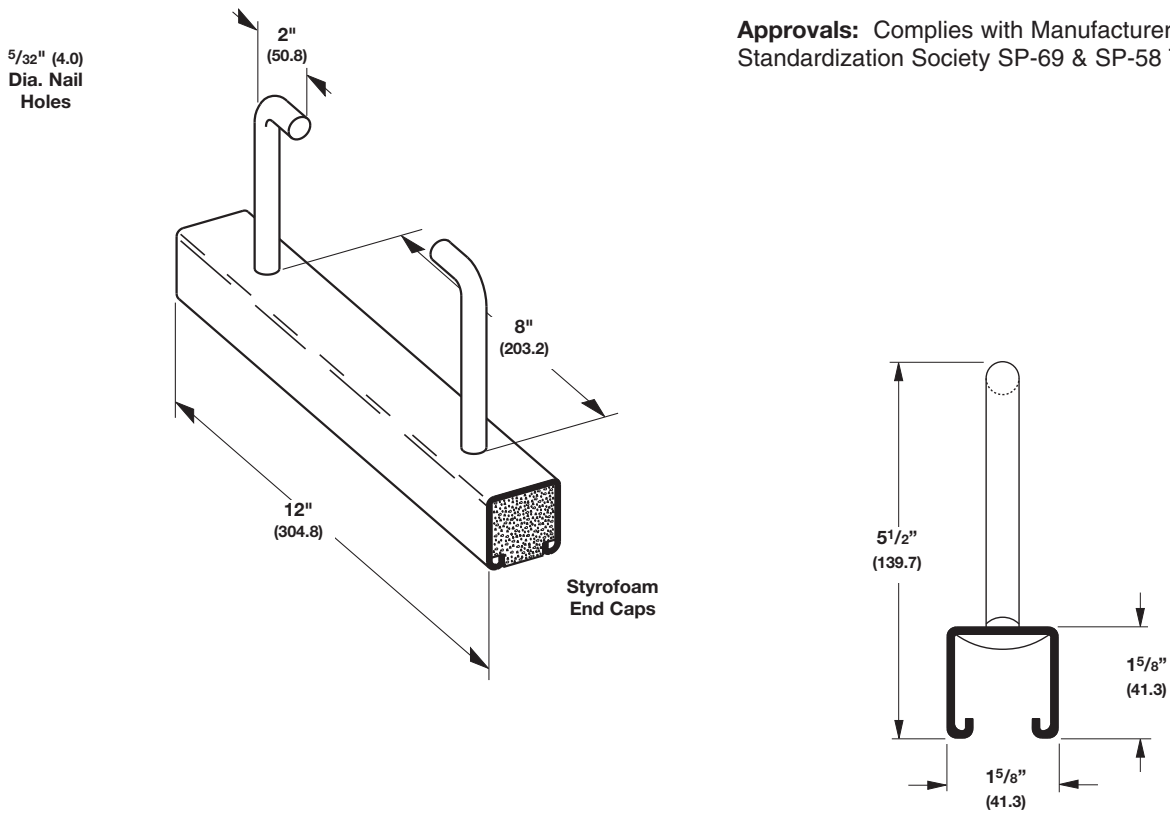
**Weight:** Wt./C 42 Lbs. (19.0 kg)

**Service:** Designed to be embedded in concrete where heavy loads are required in curtain wall applications. Styrofoam end caps prevent concrete seepage into the channel.

**Ordering:** Specify part number and finish. Channel nuts are sold separately, see page 14 for appropriate selection.

**Design Load:** 5000 Lbs. (22.2 kN).  
Loading based on two N225 channel nuts spaced 3" (76.2 mm) on center and a minimum of 2" (50.8 mm) from the end of the insert.

**Approvals:** Complies with Manufacturers Standardization Society SP-69 & SP-58 Type 18.



**Figure B2503 Heavy Duty Spot Insert**

All dimensions in charts and on drawings are in inches. Dimensions shown in parentheses are in millimeters unless otherwise specified.