

Pipe Supports, Guides, Shields & Saddles

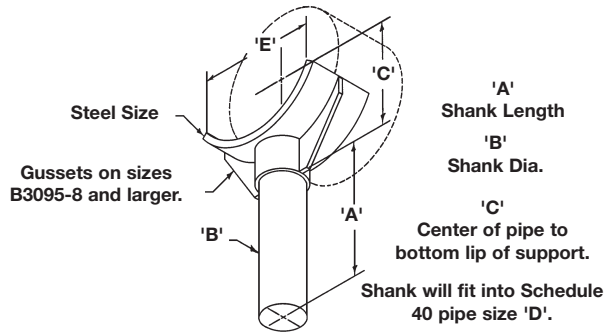


Figure B3095 Pipe Saddle Support (cont.)

Part No.	'B'		'C'		'D' (Base Stand Not Included)		'E'		Wt./C	
									Lbs.	kg
B3095-1	1/2"	(12.7)	1 ²⁹ / ₃₂ "	(48.4)	3/4"	(20)	1 1/8"	(31.7)	49	(22.2)
B3095-1 1/4	3/4"	(19.0)	2 ⁵ / ₆₄ "	(52.8)	3/4"	(20)	1 7/16"	(36.5)	81	(36.7)
B3095-1 1/2	3/4"	(19.0)	2 1/4"	(57.1)	3/4"	(20)	1 ²¹ / ₃₂ "	(42.0)	88	(39.9)
B3095-2	3/4"	(19.0)	2 7/16"	(61.9)	3/4"	(20)	2 1/16"	(52.4)	94	(42.6)
B3095-2 1/2	1 5/16"	(33.3)	2 9/16"	(66.1)	1 1/2"	(40)	2 1/2"	(63.5)	167	(75.7)
B3095-3	1 5/16"	(33.3)	2 7/8"	(73.0)	1 1/2"	(40)	3 1/32"	(77.0)	176	(79.8)
B3095-3 1/2	1 5/16"	(33.3)	3 1/8"	(79.4)	1 1/2"	(40)	3 7/16"	(87.3)	188	(85.3)
B3095-4	2 3/8"	(60.3)	3 1/2"	(88.9)	2 1/2"	(65)	4 1/4"	(107.9)	364	(165.1)
B3095-5	2 3/8"	(60.3)	4 1/32"	(102.4)	2 1/2"	(65)	4 ¹³ / ₁₆ "	(122.2)	381	(172.8)
B3095-6	2 3/8"	(60.3)	4 ¹¹ / ₁₆ "	(119.1)	2 1/2"	(65)	6 1/16"	(154.0)	534	(242.2)
B3095-8	2 3/8"	(60.3)	6 1/2"	(165.1)	2 1/2"	(65)	7 ¹⁵ / ₁₆ "	(201.6)	796	(361.0)
B3095-10	2 3/8"	(60.3)	7 9/16"	(192.1)	2 1/2"	(65)	9 ⁵ / ₈ "	(244.5)	914	(414.6)
B3095-12	2 3/8"	(60.3)	8 ³ / ₈ "	(212.7)	2 1/2"	(65)	11 ¹¹ / ₁₆ "	(296.9)	1068	(484.4)
B3095-14	2 7/8"	(73.0)	10 ³ / ₄ "	(273.0)	3"	(80)	12 1/8"	(308.0)	1654	(750.2)
B3095-16	2 7/8"	(73.0)	11 ³ / ₄ "	(298.4)	3"	(80)	13 7/8"	(352.4)	1817	(824.2)
B3095-18	3 1/2"	(88.9)	13 1/2"	(342.9)	4"	(100)	15 ¹⁹ / ₃₂ "	(396.1)	2798	(1269.2)
B3095-20	3 1/2"	(88.9)	14 1/2"	(368.3)	4"	(100)	17 ⁵ / ₁₆ "	(439.7)	3018	(1368.9)
B3095-24	3 1/2"	(88.9)	17 ³ / ₄ "	(450.8)	4"	(100)	20 ²⁵ / ₃₂ "	(527.8)	4146	(1880.6)
B3095-30	3 1/2"	(88.9)	20 7/8"	(530.2)	4"	(100)	26"	(660.4)	7624	(3458.2)
B3095-36	3 1/2"	(88.9)	23 7/8"	(606.4)	4"	(100)	31 ³ / ₁₆ "	(792.2)	8877	(4026.6)

Note:

4" (100) thru 12" (300) fits both steel and ductile iron pipe.

For other ductile iron pipe sizes specify B3095DI - size.

3" (80) Ductile Iron uses B3095-3 1/2

All dimensions in charts and on drawings are in inches. Dimensions shown in parentheses are in millimeters unless otherwise specified.