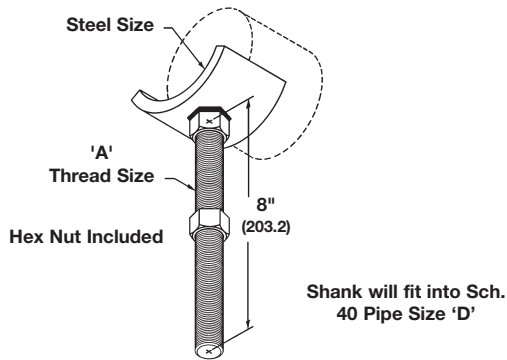


Pipe Supports, Guides, Shields & Saddles



Material: Steel

Standard Finish: Plain or Electro-Plated

Service: Designed for support of horizontal pipe from floor stanchions (B3088 or B3088S) where vertical adjustment is required.

Ordering: Specify part number and finish.

Approvals: Complies with Federal Specification WW-H-171E & A-A-1192A Type 39 and Manufacturers Standardization Society MSS SP-69 & SP-58 Type 38.

Figure B3096 Adjustable Pipe Saddle Support

Part No.	Nominal Pipe Size		Maximum O.D. of Pipe		Thread Size 'A'	'D' (Base Stand Not Included)		Steel Size		Wt./C	
		()		()			()		()	Lbs.	kg
B3096-2	2"	(50)	2 ³ / ₈ "	(60.3)	7/8"-9	1"	(25)	3/8" x 2"	(9.5 x 50.8)	212	(96.1)
B3096-3	3"	(80)	3 ¹ / ₂ "	(88.9)	7/8"-9	1"	(25)	3/8" x 2 ¹ / ₂ "	(9.5 x 63.5)	259	(117.5)
B3096-4	4"	(100)	4 ¹ / ₂ "	(114.3)	1"-8	1"	(25)	3/8" x 3"	(9.5 x 76.2)	370	(167.8)
B3096-5	5"	(125)	5 ⁹ / ₁₆ "	(141.3)	1"-8	1"	(25)	3/8" x 3"	(9.5 x 76.2)	404	(183.2)
B3096-6	6"	(150)	6 ⁵ / ₈ "	(168.3)	1 ¹ / ₄ "-7	1 ¹ / ₄ "	(32)	1/2" x 3 ¹ / ₂ "	(12.7 x 88.9)	714	(323.9)
B3096-8	8"	(200)	8 ⁵ / ₈ "	(219.1)	1 ¹ / ₄ "-7	1 ¹ / ₄ "	(32)	1/2" x 3 ¹ / ₂ "	(12.7 x 88.9)	819	(371.5)
B3096-10	10"	(250)	10 ³ / ₄ "	(273.0)	1 ¹ / ₂ "-6	1 ¹ / ₂ "	(40)	1/2" x 4"	(12.7 x 101.6)	1194	(541.6)
B3096-12	12"	(300)	12 ³ / ₄ "	(323.8)	1 ¹ / ₂ "-6	1 ¹ / ₂ "	(40)	1/2" x 4"	(12.7 x 101.6)	1315	(596.5)