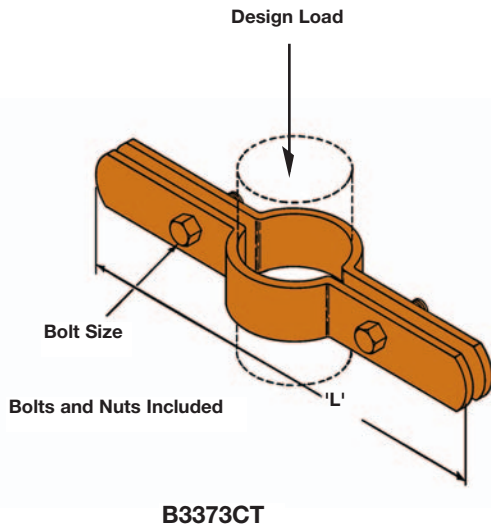


# Pipe Clamps



**Material:** Steel

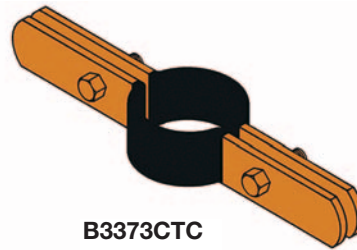
**Standard Finish:** Dura-Copper®

**Service:** Designed to support and stabilize vertical runs of copper tubing. (Available with plastic coating to provide additional separation between tubing and hanger).

Torque bolts to values given on page 60.

**Ordering:** Specify part number and finish.

**Approvals:** Complies with Federal Specification WW-H-171E & A-A-1192A Type 8 and Manufacturers Standardization Society MSS SP-69 & SP-58 Type 8.



**Figure B3373CT Riser Clamp**  
(Available with plastic coating as B3373CTC-size)

Part No.	Nominal Tubing Size		'L'		Bolt Size	Design Load		Wt./C	
	Inches	mm	Inches	mm		Lbs.	kN	Lbs.	kg
<b>B3373CT-1/2</b>	1/2"	(15)	8 <sup>3</sup> / <sub>4</sub> "	(222.2)	5/16"-18 x 1"	75	(.33)	72	(32.6)
<b>B3373CT-3/4</b>	3/4"	(20)	9 <sup>1</sup> / <sub>16</sub> "	(234.9)	5/16"-18 x 1"	75	(.33)	73	(33.2)
<b>B3373CT-1</b>	1"	(25)	9 <sup>5</sup> / <sub>16</sub> "	(236.5)	3/8"-16 x 1"	120	(.53)	74	(33.6)
<b>B3373CT-1 1/4</b>	1 1/4"	(32)	9 <sup>5</sup> / <sub>8</sub> "	(244.5)	3/8"-16 x 1"	150	(.67)	77	(34.8)
<b>B3373CT-1 1/2</b>	1 1/2"	(40)	9 <sup>3</sup> / <sub>4</sub> "	(247.6)	3/8"-16 x 1 1/4"	150	(.67)	111	(50.3)
<b>B3373CT-2</b>	2"	(50)	10 <sup>7</sup> / <sub>16</sub> "	(265.1)	3/8"-16 x 1 1/4"	150	(.67)	120	(54.5)
<b>B3373CT-2 1/2</b>	2 1/2"	(65)	10 <sup>15</sup> / <sub>16</sub> "	(277.8)	3/8"-16 x 1 1/4"	300	(1.33)	128	(58.1)
<b>B3373CT-3</b>	3"	(80)	11 <sup>7</sup> / <sub>16</sub> "	(290.5)	3/8"-16 x 1 1/4"	300	(1.33)	136	(61.5)
<b>B3373CT-3 1/2</b>	3 1/2"	(90)	11 <sup>15</sup> / <sub>16</sub> "	(303.2)	3/8"-16 x 1 1/4"	300	(1.33)	145	(65.7)
<b>B3373CT-4</b>	4"	(100)	12 <sup>1</sup> / <sub>2</sub> "	(317.5)	1/2"-13 x 1 3/4"	300	(1.33)	170	(77.3)
<b>B3373CT-5</b>	5"	(125)	13 <sup>5</sup> / <sub>8</sub> "	(346.1)	1/2"-13 x 2"	500	(2.22)	355	(161.0)
<b>B3373CT-6</b>	6"	(150)	14 <sup>5</sup> / <sub>8</sub> "	(371.5)	1/2"-13 x 2"	500	(2.22)	386	(175.1)

All dimensions in charts and on drawings are in inches. Dimensions shown in parentheses are in millimeters unless otherwise specified.