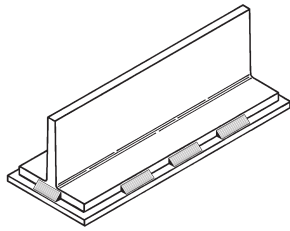


# Pipe Supports, Guides, Shields & Saddles

**Figure B3891 - B3897 Pipe Slide Assembly Series**



**Material:** Tee - Carbon Steel;  
Facing Plate - Stainless Steel Type 304;  
Base - Carbon Steel with teflon® slide pads.

**Finish:** Black paint.

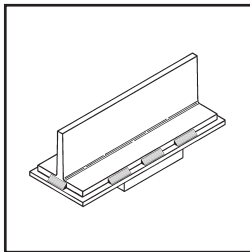
**Service:** Designed to support pipe where horizontal movement from expansion and contraction is present. Fits up to 3" insulation thickness.

**Approvals:** Complies with Federal Specification WW-H-171E & A-A-1192A and Manufacturers Standardization Society MSS SP-69 & SP-58 Type 35.

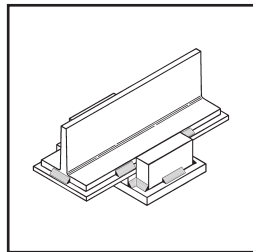
**Operating Temperature Rating:**  
400°F (204°C) maximum

**Loading:** Capable of supporting constant loads up to 2000 Psi at 70°F.

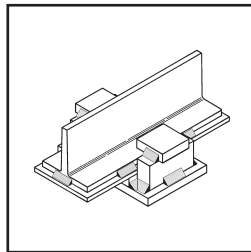
B3891 - 10 - CL		
Base Style	Travel	Options
1	04" (101) (except B3897)	Standard Slide = Blank
2	10" (254) (except B3897)	W/ End Plates = EP - Pipe Size
3	2 1/2" (63) (B3897 only)	W/ B3140 Clamps = CL - Pipe Size
4		
5		
6		
7		



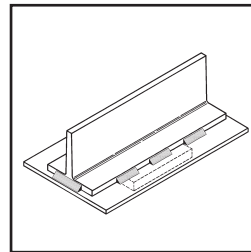
**B3891**



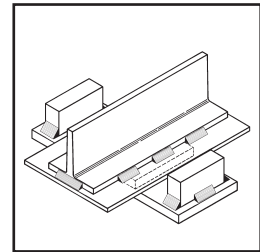
**B3892**



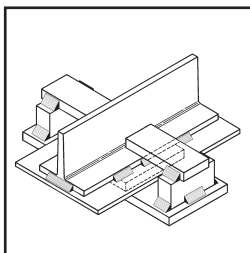
**B3893**



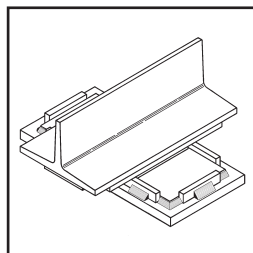
**B3894**



**B3895**



**B3896**



**B3897**

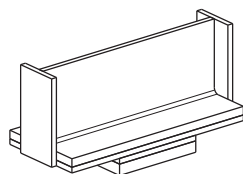
**Notes:**

B3891, B3892 and B3893 are designed for longitudinal movement only.

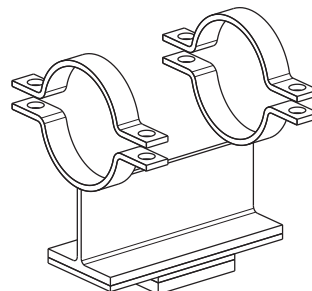
B3894, B3895 and B3896 are designed for longitudinal and limited transverse movement.

B3897 is designed for up to 5 inches (127mm) of horizontal movement in any direction, depending on the installed position.

**Options:**



**End Plates**



**B3140 Clamps**

All dimensions in charts and on drawings are in inches. Dimensions shown in parentheses are in millimeters unless otherwise specified.

# Pipe Supports, Guides, Shields & Saddles

Figure B3891 - B3897 Pipe Slide Assembly Series

Pipe Size	Travel		Part No.	Height 'H'		Length 'L'		Depth 'B'		Diameter 'D'	
	In.	mm		In.	mm	In.	mm	In.	mm	In.	mm
1" to 24" (25 to 600)	2 1/2"	(63.5)	B3897	5 5/16"	(134.9)	9 1/2"	(241.3)	5"	(127.0)	4"	(101.6)
	4"	(127.0)	B3891	4 5/8"	(117.5)	6"	(152.4)	2"	(50.8)	N/A	N/A
			B3892	5 1/8"	(130.2)	6"	(152.4)	4"	(101.6)	N/A	N/A
			B3893	5 1/8"	(130.2)	6"	(152.4)	4"	(101.6)	N/A	N/A
			B3894	4 5/8"	(117.5)	6"	(152.4)	2"	(50.8)	N/A	N/A
			B3895	5 1/8"	(130.2)	6"	(152.4)	4"	(101.6)	N/A	N/A
			B3896	5 1/8"	(130.2)	6"	(152.4)	4"	(101.6)	N/A	N/A
	10"	(254.0)	B3891	4 5/8"	(117.5)	12"	(304.8)	2"	(50.8)	N/A	N/A
			B3892	5 1/8"	(130.2)	12"	(304.8)	4"	(101.6)	N/A	N/A
			B3893	5 1/8"	(130.2)	12"	(304.8)	4"	(101.6)	N/A	N/A
			B3894	4 5/8"	(117.5)	12"	(304.8)	2"	(50.8)	N/A	N/A
			B3895	5 1/8"	(130.2)	12"	(304.8)	4"	(101.6)	N/A	N/A
			B3896	5 1/8"	(130.2)	12"	(304.8)	4"	(101.6)	N/A	N/A

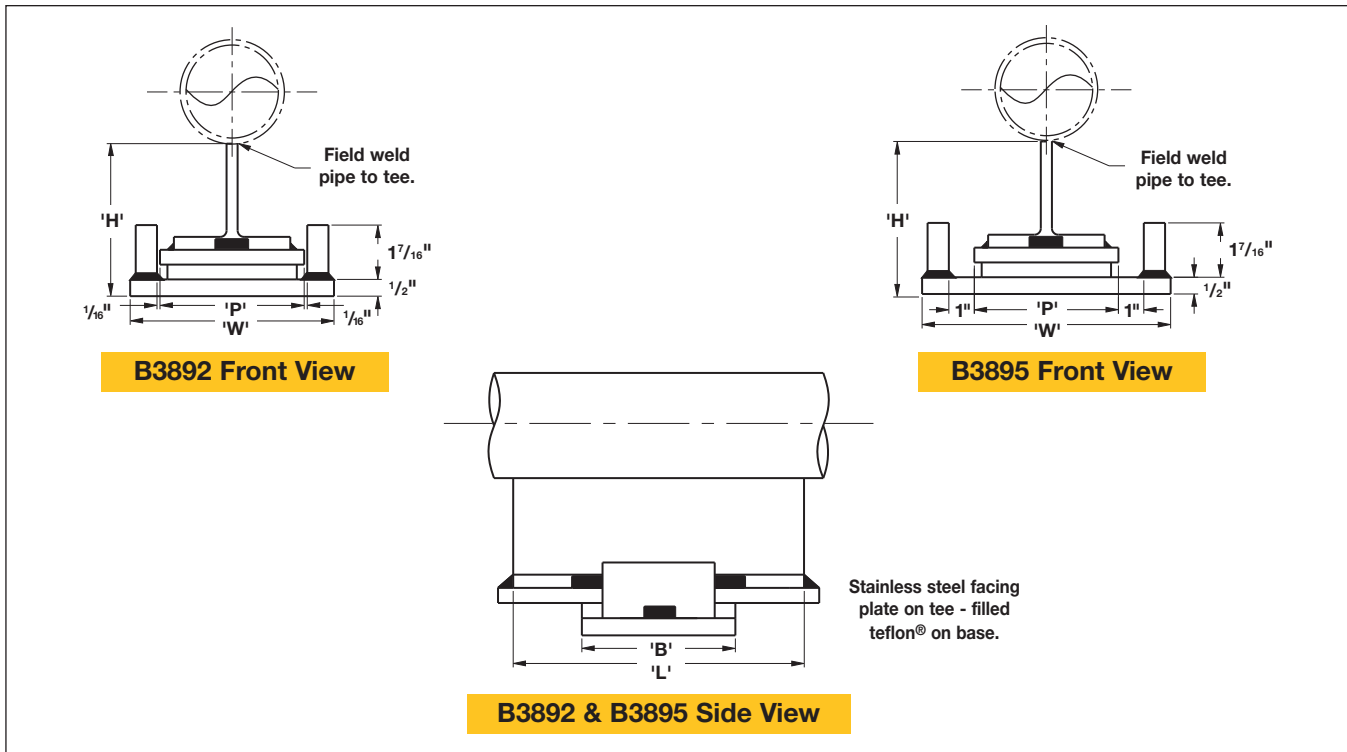
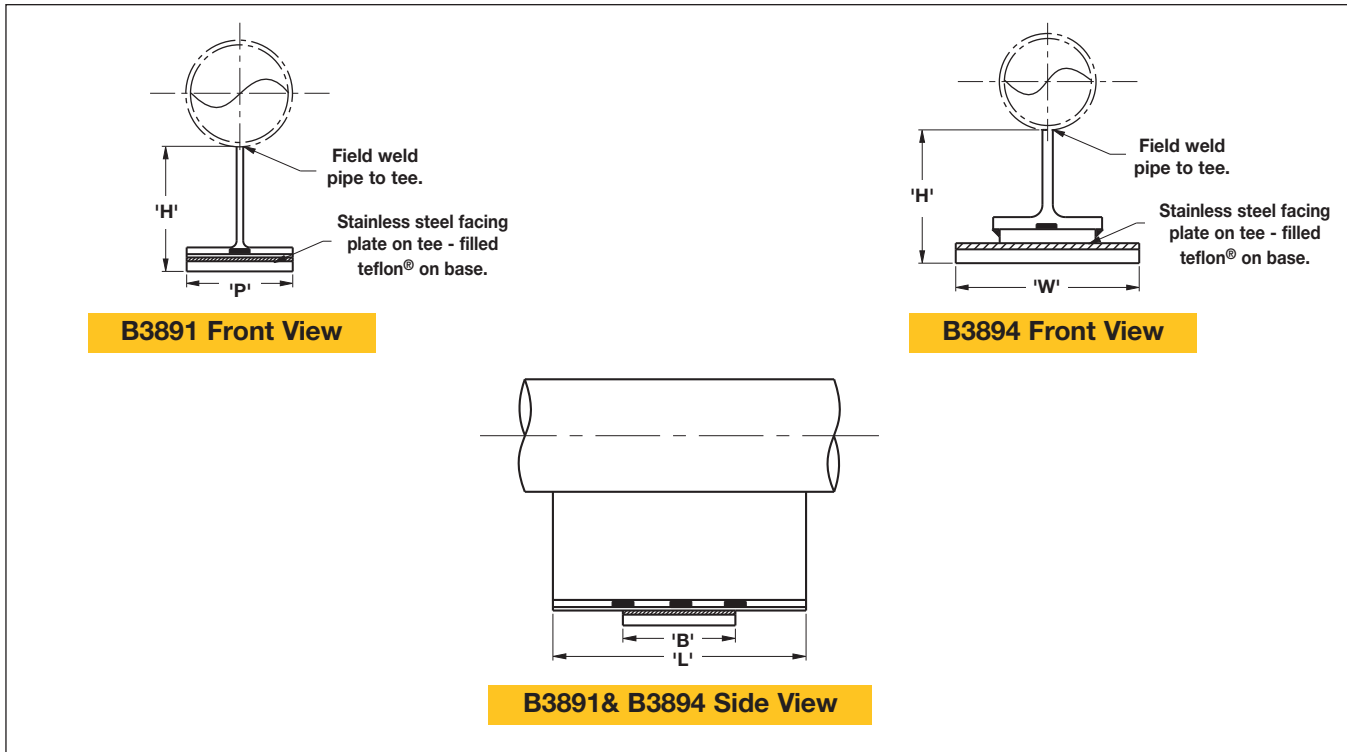
Pipe Size	Travel		Part No.	Width 'P'		Width 'W'		Max Recommended Load	
	In.	mm		In.	mm	In.	mm	Lbs.	kN
1" to 24" (25 to 600)	2 1/2"	(63.5)	B3897	N/A	N/A	9 1/2"	(241.3)	16000	(71.2)
	4"	(127.0)	B3891	4"	(101.6)	N/A	N/A	12000	(53.4)
			B3892	4"	(101.6)	7"	(177.8)	12000	(53.4)
			B3893	4"	(101.6)	7"	(177.8)	12000	(53.4)
			B3894	N/A	N/A	6"	(152.4)	12000	(53.4)
			B3895	6"	(152.4)	10"	(254.0)	24000	(106.8)
			B3896	6"	(152.4)	10"	(254.0)	24000	(106.8)
	10"	(254.0)	B3891	4"	(101.6)	N/A	N/A	12000	(53.4)
			B3892	4"	(101.6)	7"	(177.8)	12000	(53.4)
			B3893	4"	(101.6)	7"	(177.8)	12000	(53.4)
			B3894	N/A	N/A	6"	(152.4)	12000	(53.4)
			B3895	6"	(152.4)	10"	(254.0)	24000	(106.8)
			B3896	6"	(152.4)	10"	(254.0)	24000	(106.8)

\*Based on teflon® of 500 psi.

All dimensions in charts and on drawings are in inches. Dimensions shown in parentheses are in millimeters unless otherwise specified.

# Pipe Supports, Guides, Shields & Saddles

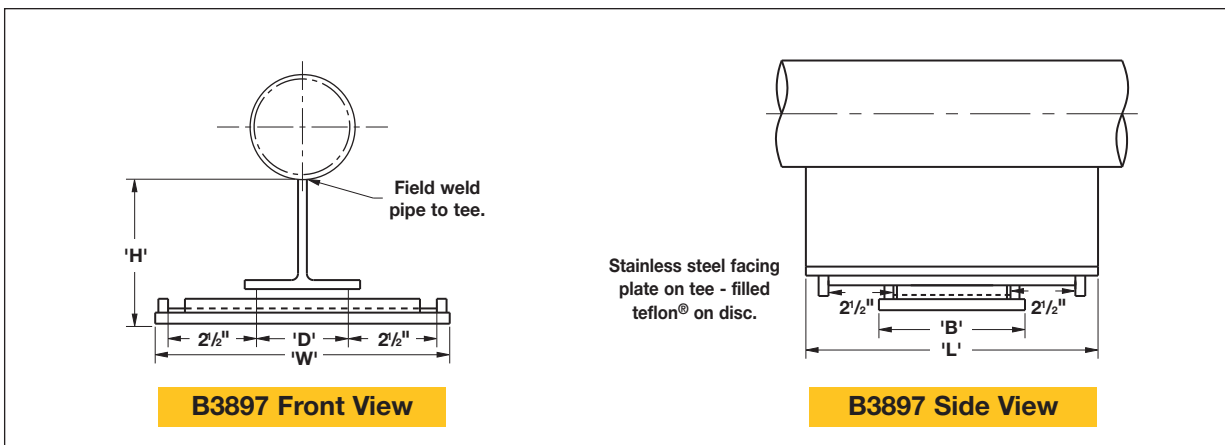
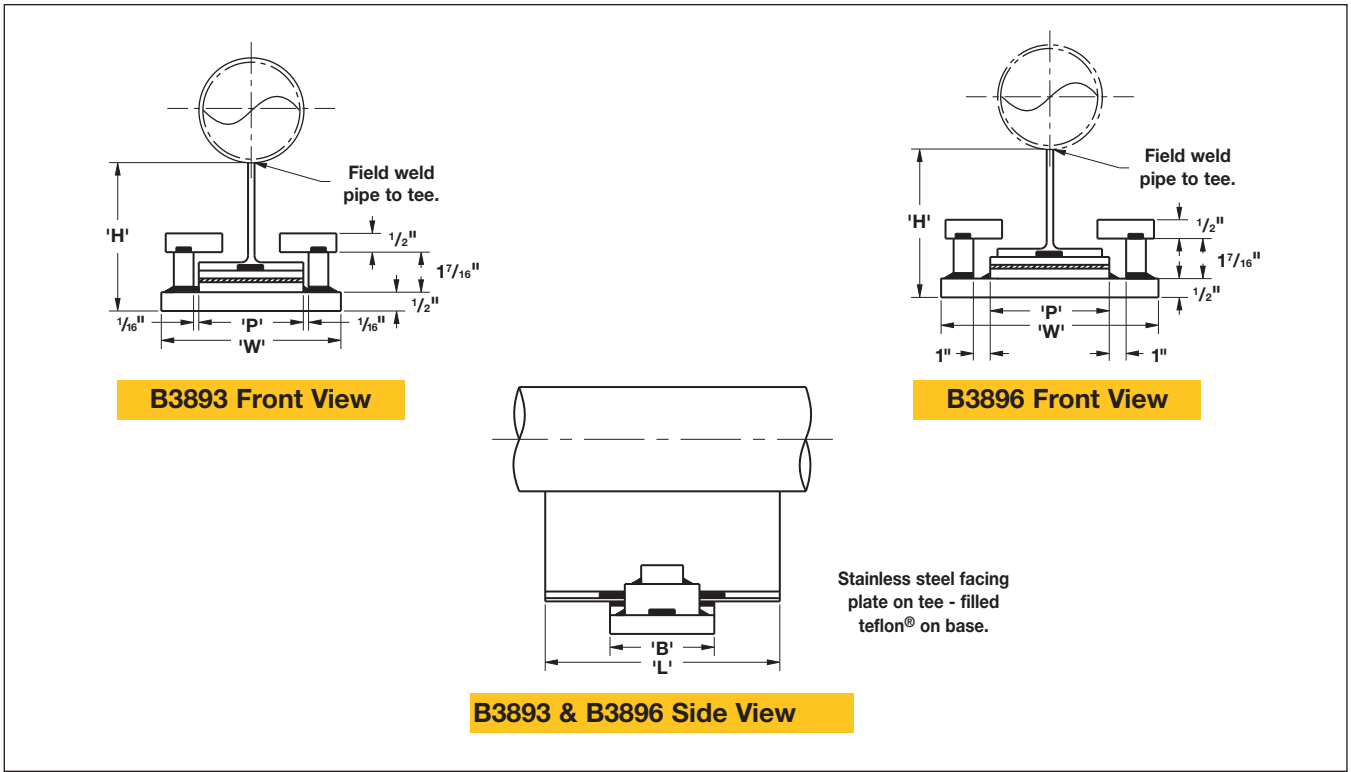
Figure B3891 - B3897 Pipe Slide Assembly Series



Note: All teflon® is 3/32" (2.4mm) thick.

All dimensions in charts and on drawings are in inches. Dimensions shown in parentheses are in millimeters unless otherwise specified.

Figure B3891 - B3897 Pipe Slide Assembly Series



Note: All teflon<sup>®</sup> is 3/32" (2.4mm) thick.

All dimensions in charts and on drawings are in inches. Dimensions shown in parentheses are in millimeters unless otherwise specified.