

*For Residential and Commercial Applications*

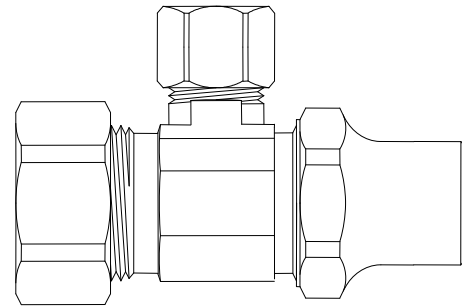
Job Name		Engineer / Architect	
Job Location		Wholesaler	
Submittal Date		Contractor	

## SCR1B/ SCR09/ SCR19/ SCR39/ SCR49 Multi-Turn Angle Stop w/ Loose Key – Compression x Compression

**Use:** For use in potable water distribution systems. Not intended for recirculating water systems that produce continuous use temperatures above 115° F. For those applications, use BrassCraft KT series ball stops

**Design Features:**

- **Machined one-piece brass body** provides strength, durability and long-lasting performance
- **Oval knurled handle** provides a secure grip and smooth on/off operation
- **Easy-to-remove handle** with screw attachment protects accidental stop operation during rough-ins
- **Compliant Stops** available for California and Vermont “low-lead” requirements.



**Operating Specifications:**

**Temperature:** 40° - 140° F  
**Pressure:** 125 psi maximum



**Standard**

MATERIAL SPECIFICATIONS	
<b>Valve Body</b>	C36000 brass
<b>Loose Key Stem</b>	C36000 brass
<b>Bib &amp; Packing Washers</b>	Nitrile or EPDM rubber
<b>Packing Nut</b>	C36000 brass
<b>Loose Key</b>	Zinc die cast
<b>Compression Sleeve</b>	C36000 brass
<b>Compression Nut</b>	C36000 brass, chrome plated

**Compliant**

MATERIAL SPECIFICATIONS	
<b>Valve Body</b>	Compliant brass
<b>Loose Key Stem</b>	Compliant brass
<b>Bib &amp; Packing Washers</b>	Nitrile or EPDM rubber
<b>Packing Nut</b>	Compliant brass
<b>Loose Key</b>	Zinc die cast
<b>Compression Sleeve</b>	Compliant brass
<b>Compression Nut</b>	C36000 brass, chrome plated

**Standard Part Listing:**

- SCR1B C 3/8" Nom. Compression x 3/8" OD Compression, chrome plated
- SCR09 C 1/2" Nom. Compression x 1/4" OD Compression with loose key, chrome plated
- SCR09 R 1/2" Nom. Compression x 1/4" OD Compression with loose key, rough brass
- SCR19 C 1/2" Nom. Compression x 3/8" OD Compression with loose key, chrome plated
- SCR19 C1 1/2" Nom. Compression x 3/8" OD Compression with loose key, chrome plated, window box
- SCR19 R 1/2" Nom. Compression x 3/8" OD Compression with loose key, rough brass
- SCR19PX C 1/2" Nom. Compression x 3/8" OD Compression with loose key, PEX insert, chrome plated

*This specification and all information contained herein is the confidential and exclusive property of BrassCraft Manufacturing, and shall not be disclosed to others without the written consent of BrassCraft. This specification must be returned to BrassCraft if requested.*



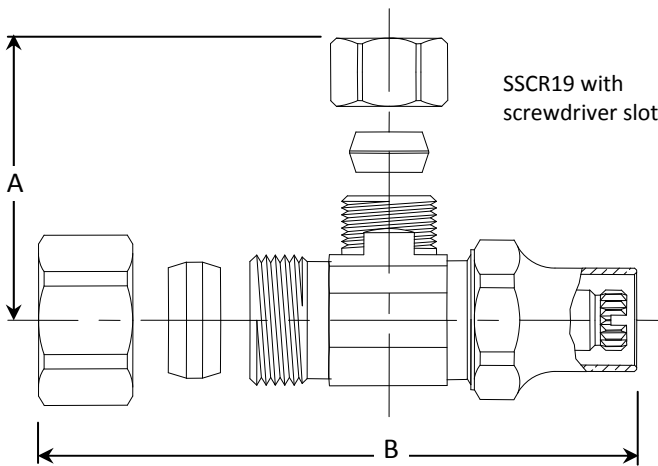
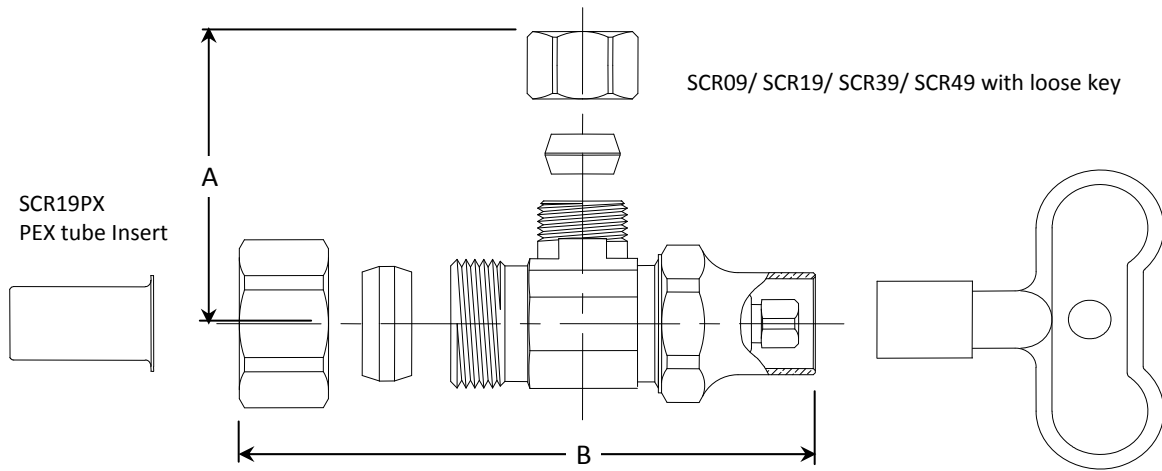
# SCR1B/ SCR09/ SCR19/ SCR39/ SCR49 Multi-Turn Angle Stop w/ Loose Key – Compression x Compression

### Standard Part Listing (con't):

- SCR39 C      1/2" Nom. Compression x 1/2" OD Compression with loose key, chrome plated
- SCR39 C1     1/2" Nom. Compression x 1/2" OD Compression with loose key, chrome plated, window box
- SCR49 C      1/2" Nom. Compression x 5/8" OD Compression with loose key, chrome plated
- SSCR19 C    1/2" Nom. Compression x 3/8" OD Compression with screwdriver slot, chrome plated

### Compliant Part Listing:

- SCR19X C     1/2" Nom. Compression x 3/8" OD Compression with loose key, chrome plated
- SCR39X C     1/2" Nom. Compression x 1/2" OD Compression with loose key, chrome plated
- SSCR19X C   1/2" Nom. Compression x 3/8" OD Compression with screwdriver slot, chrome plated



PART DIMENSIONS (Inches)		
Model	Dim. A	Dim. B
SCR1B	1.02	2.56
SCR09	1.02	2.56
SCR19	1.02	2.56
SCR19PX	1.02	2.56
SCR39	1.11	2.65
SCR49	1.24	2.71
SSCR19	1.02	2.56

### Listings & Certifications:

- IAPMO listed to ASME A112.18.1-05 / CSA B125.1-05 (File # 0645)
- CSA listed to ASME A112.18.1-05 / CSA B125.1-05 (File # 204593)
- UL listed to ANSI/NSF 61 Sec. 9 (File # MH25826)
- Compliant product CSA approved to California Health & Safety Code 116875 and Vermont Bill S.152 (Project # 2174785)



*This specification and all information contained herein is the confidential and exclusive property of BrassCraft Manufacturing, and shall not be disclosed to others without the written consent of BrassCraft. This specification must be returned to BrassCraft if requested.*

**BrassCraft®**