

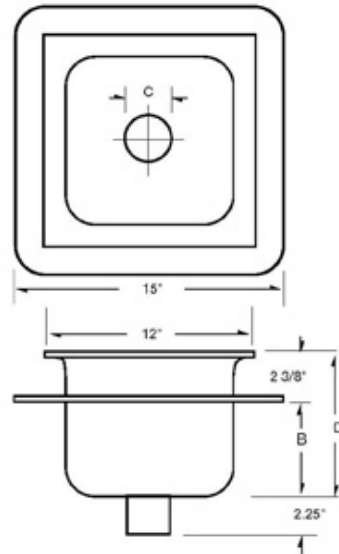


Cat. No.	Size	"C" No-Hub O.D.	B	D	Approx Ship. Wt.	"C" Caulk I.D.
906-1-2'	12"x12"x6"	2 5/8	4 1/8	6 1/2	30 lbs.	2 1/4
906-1-3'	12"x12"x6"	3 5/8	4 1/8	6 1/2	30 lbs.	3 1/4
906-1-4'	12"x12"x6"	4 5/8	4 1/8	6 1/2	30 lbs.	4 1/4
908-1-2'	12"x12"x8"	2 5/8	6 1/8	8 1/2	35 lbs.	2 1/4
908-1-3'	12"x12"x8"	3 5/8	6 1/8	8 1/2	35 lbs.	3 1/4
908-1-4'	12"x12"x8"	4 5/8	6 1/8	8 1/2	35 lbs.	4 1/4
910-1-2'	12"x12"x10"	2 5/8	8 1/8	10 1/2	40 lbs.	2 1/4
910-1-3'	12"x12"x10"	3 5/8	8 1/8	10 1/2	40 lbs.	3 1/4
910-1-4'	12"x12"x10"	4 5/8	8 1/8	10 1/2	40 lbs.	4 1/4

**FLOOR SINKS—
WITH SEEPAGE FLANGE**

Available in Caulk and No Hub (NH)
Furnished with cast aluminum
dome strainer.

Model: 906-1-2



Special Drilling Upon Request
**ACID RESISTANT ENAMEL
 ON CAST IRON**

Cat. No.	Size	"C" No-Hub O.D.	B	D	Approx Ship. Wt.	"C" Caulk I.D.
906-1-2"	12"x12"x6"	2 5/8	4 1/8	6 1/2	30 lbs.	2 1/4
906-1-3"	12"x12"x6"	3 5/8	4 1/8	6 1/2	30 lbs.	3 1/4
906-1-4"	12"x12"x6"	4 5/8	4 1/8	6 1/2	30 lbs.	4 1/4
908-1-2"	12"x12"x8"	2 5/8	6 1/8	8 1/2	35 lbs.	2 1/4
908-1-3"	12"x12"x8"	3 5/8	6 1/8	8 1/2	35 lbs.	3 1/4
908-1-4"	12"x12"x8"	4 5/8	6 1/8	8 1/2	35 lbs.	4 1/4
910-1-2"	12"x12"x10"	2 5/8	8 1/8	10 1/2	40 lbs.	2 1/4
910-1-3"	12"x12"x10"	3 5/8	8 1/8	10 1/2	40 lbs.	3 1/4
910-1-4"	12"x12"x10"	4 5/8	8 1/8	10 1/2	40 lbs.	4 1/4