

Babbitt *...Known the world over as the source for safe, reliable valve actuation.*

Home

Online Catalog

Babbitt Safety Products

CAD Files

Technical Data

Informacion Technica

E-mail

Technical Data



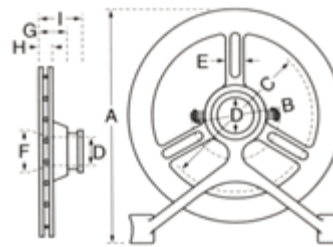
Babbitt
STEAM SPECIALTY CO.

Babbitt Steam Specialty Co.

P.O. Box 51208 • New Bedford, MA 02745
Toll Free: 800.727.4323 or Tel: 508.995.9534
Fax: 508.995.2701 • www.babbittsteam.com
E-mail: Sprocket@babbittsteam.com

Babbitt Chainwheels - Technical Data

SELECTION OF CHAIN OPERATORS						
VALVE HANDWHEEL OUTSIDE DIAMETER RANGE, OUTSIDE IN (CM)	CHAIN OPERATOR NUMBER	WHEEL RIM OUTSIDE DIAMETER IN (CM)	USES CHAIN TRADE SIZE	WGHT/100FT LBS (KG)		
2 to 4 (5,1-10,2)	0	4 (10,2)	2	10 (4,5)		
4 1/4 to 5 3/4 (10,8-14,6)	1	5 3/4 (14,6)	1/0	17 1/2 (7,9)		
6 to 7 1/2 (15,2-19,1)	1 1/2	7 1/2 (19,1)	1/0	17 1/2 (7,9)		
7 3/4 to 9 (19,7-22,9)	2	9 (22,9)	1/0	17 1/2 (7,9)		
9 1/4 to 12 1/2 (23,5-31,8)	2 1/2	12 (30,5)	4/0	30 (13,6)		
12 3/4 to 15 1/2 (32,4-39,4)	3	15 1/2 (39,4)	4/0	30 (13,6)		
15 3/4 to 19 (40,0-48,3)	3 1/2	18 1/2 (46,9)	4/0	30 (13,6)		
19 1/4 to 22 (48,9-55,9)	4	21 1/2 (54,6)	5/0	35 (15,9)		
22 1/4 to 26 (56,5-66,0)	4 1/2	25 3/4 (65,4)	5/0	35 (15,9)		
26 1/4 to 30 (66,7-76,2)	5	30 (76,2)	5/0	35 (15,9)		
30 to 36 (76,2-91,4)	5**	30 (76,2)	5/0	35 (15,9)		



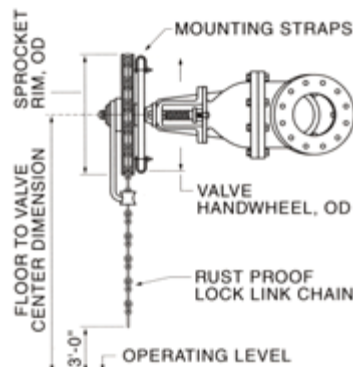
Babbitt Chainwheel

CHAINWHEEL DIMENSIONS											
WHEEL SIZE #	0	1	1 1/2	2	2 1/2	3	3 1/2	4	4 1/2	5	
A - Overall Height in (cm)*	4 5/8 (11,75)	6 3/8 (16,19)	7 3/4 (19,69)	10 1/2 (26,67)	12 1/2 (31,75)	15 1/2 (39,37)	18 1/2 (46,99)	21 1/2 (54,61)	25 3/4 (65,41)	30 1/4 (76,84)	
B - Inner Bolt Circle	1 1/2 (3,81)	2 1/2 (6,35)	3 1/2 (8,89)	4 1/2 (11,43)	5 1/2 (13,77)	8 1/2 (21,59)	11 1/2 (29,21)	11 1/2 (29,21)	14 1/2 (36,83)	18 3/4 (47,63)	
C - Outer Bolt Circle	1 7/8 (4,76)	3 1/2 (8,89)	5 (12,7)	6 5/8 (16,83)	9 1/4 (23,50)	12 3/8 (31,43)	15 1/2 (39,37)	17 3/4 (45,08)	21 1/4 (53,98)	25 1/4 (65,14)	
D - Hub Opening (DIAM)	1/2 (1,27)	7/8 (2,22)	1 (2,54)	2 1/8 (5,34)	2 1/8 (5,34)	2 1/8 (5,34)	3 (7,62)	3 (7,62)	3 (7,62)	3 (7,62)	
E - Slot Size (width)	1 5/16 (7,94)	3/8 (9,525)	3/8 (9,525)	3/8 (9,525)	7/16 (11,116)	7/16 (11,116)	7/16 (11,116)	5/8 (15,875)	5/8 (15,875)	5/8 (15,875)	
F - Rear Opening	3/4 (1,91)	1 1/2 (3,81)	1 7/8 (4,763)	3 1/8 (7,94)	3 1/2 (8,89)	3 1/2 (8,89)	4 7/8 (12,38)	4 7/8 (12,39)	4 7/8 (12,39)	4 3/4 (12,07)	
G - Hub Depth (SHOULDER TO REAR)	1 1/8 (2,86)	1 1/2 (3,81)	1 7/16 (3,65)	1 3/8 (3,49)	1 3/4 (4,45)	1 7/8 (4,76)	1 7/8 (4,76)	1 7/8 (4,76)	1 7/8 (4,76)	2 (5,08)	
H - Rim Thickness	7/8 (2,22)	1 1/8 (2,86)	1 1/8 (2,86)	1 1/8 (2,86)	1 1/4 (3,18)	1 1/4 (3,18)	1 1/4 (3,18)	1 1/2 (3,81)	1 1/2 (3,81)	1 1/2 (3,81)	
I - Overall Depth	1 3/4 (4,45)	2 1/4 (5,72)	2 3/8 (6,03)	2 3/8 (6,03)	2 5/8 (6,67)	2 5/8 (6,67)	3 1/8 (7,94)	3 1/8 (7,94)	3 1/8 (7,94)	3 1/8 (7,94)	

* All dimensions are in " IN (CM) "

** Special attachment clamps for 5 wheel will accommodate up to 36" valve handwheel.

HAMMER-BLOW SPECIFICATIONS		
SIZE #	WEIGHT COMBINED ASSEMBLY LBS (KG)	DIAMETER OF VALVE WHEELS ASSEMBLY WILL FIT IN (CM)
2'	14 (6,4)	7 3/4 to 9 (19,7-22,9)
2 1/2	21 (9,5)	9 1/4 to 12 1/2 (23,5-31,8)
3	31 (14,1)	12 3/4 to 15 1/2 (32,4-39,4)
3 1/2	43 (19,5)	15 3/4 to 19 (40,0-48,3)
4	58 (26,3)	19 1/4 to 22 (48,9-55,9)
4 1/2	70 (31,7)	22 1/4 to 26 (56,5-66,0)
5	118 (53,5)	26 1/4 to 30 (66,7-76,2)
5'	118 (53,5)	30 to 36 (76,2-91,4)



Mounted Chainwheel

TYPICAL SPECIFICATIONS:

Approved chainwheel operators shall be manufactured by Babbitt Steam Specialty Co. and shall include chainwheel and chain guide for ___ inch diameter valve handwheel. Chainwheel shall be made of (cast iron/ductile iron/aluminum/bronze). Rim shall contain as an integral part of the casting a groove into which the chain guide

attaches. Chain guides shall be made of (Malleable iron/aluminum/bronze). Chainwheels shall be adjustable and detachable, furnished complete with (steel/stainless steel) attachment sets for attachment of chainwheel to valve handwheel. Units shall be coated with (black enamel, galvanizing, "Teflon"*, epoxy or _____) to meet manufacturer's specifications.

Operators shall also be furnished with _____ feet of lock-link (hot dipped galvanized/spark-resistant brass/stainless steel) chain. Ductile iron units (shall be/shall not be) Babbitt "Hammer-blow" configuration. Chainwheel operators (shall be/shall not be) Safety Wheel configuration.

*Registered trademark for fluoropolymer resins, films and fibers made by Du Pont.

We invite you to visit our [Online Catalog](#) for detailed information regarding **Babbitt's** line of versatile [Chainwheels](#), [Chains for Chainwheels](#) and [Accessories for Chainwheels](#).

[Home](#) | [Online Catalog](#) | [Babbitt Safety Products](#) | [CAD Files](#) | [Technical Data](#) | [Informacion Technica](#) | [Top of Page](#)



Babbitt[®]
STEAM SPECIALTY CO.

P.O. Box 51208 • New Bedford, MA 02745
Toll Free: 800.727.4323 or Tel: 508.995.9534
Fax: 508.995.2701 • www.babbittsteam.com
E-mail: Sprocket@babbittsteam.com