

MANUAL FAUCETS

2200-4E2805CP

Marathon™ Lavatory Sink Faucet

Product Type

Marathon™ Lavatory Sink Faucet

Features & Specifications

- 4 3/4" C-C Integral Cast Brass Spout
- Vandal Proof 0.5 GPM (1.9 L/min) Econo-Flo Pressure Compensating Spray Outlet
- 2 3/4" Metal Lever Handle with Color Coded Temperature Indicator on Cap
- Ceramic Disc Operating Cartridge with Temperature Limit Stop
- 3/8" O.D. Copper Supply Tube Inlets
- 4" C-C Deck Cover Plate

Performance Specification

- Rating Operating Pressure: 20-125 PSI
- Rated Operating Temperature: 40-140°F

Warranty

- Lifetime Limited Faucet Warranty
- 5-Year Limited Cartridge Warranty
- 1-Year Limited Finish Warranty

Codes & Standards

- ASME A112.18.1M
- CSA B125.1
- Certified to NSF/ANSI 61, Section 9 by CSA
- ADA ANSI/ICC A117.1

Job Name _____

Item Number _____

Section/Tag _____

Model Specified _____

Architect _____

Engineer _____

Contractor _____

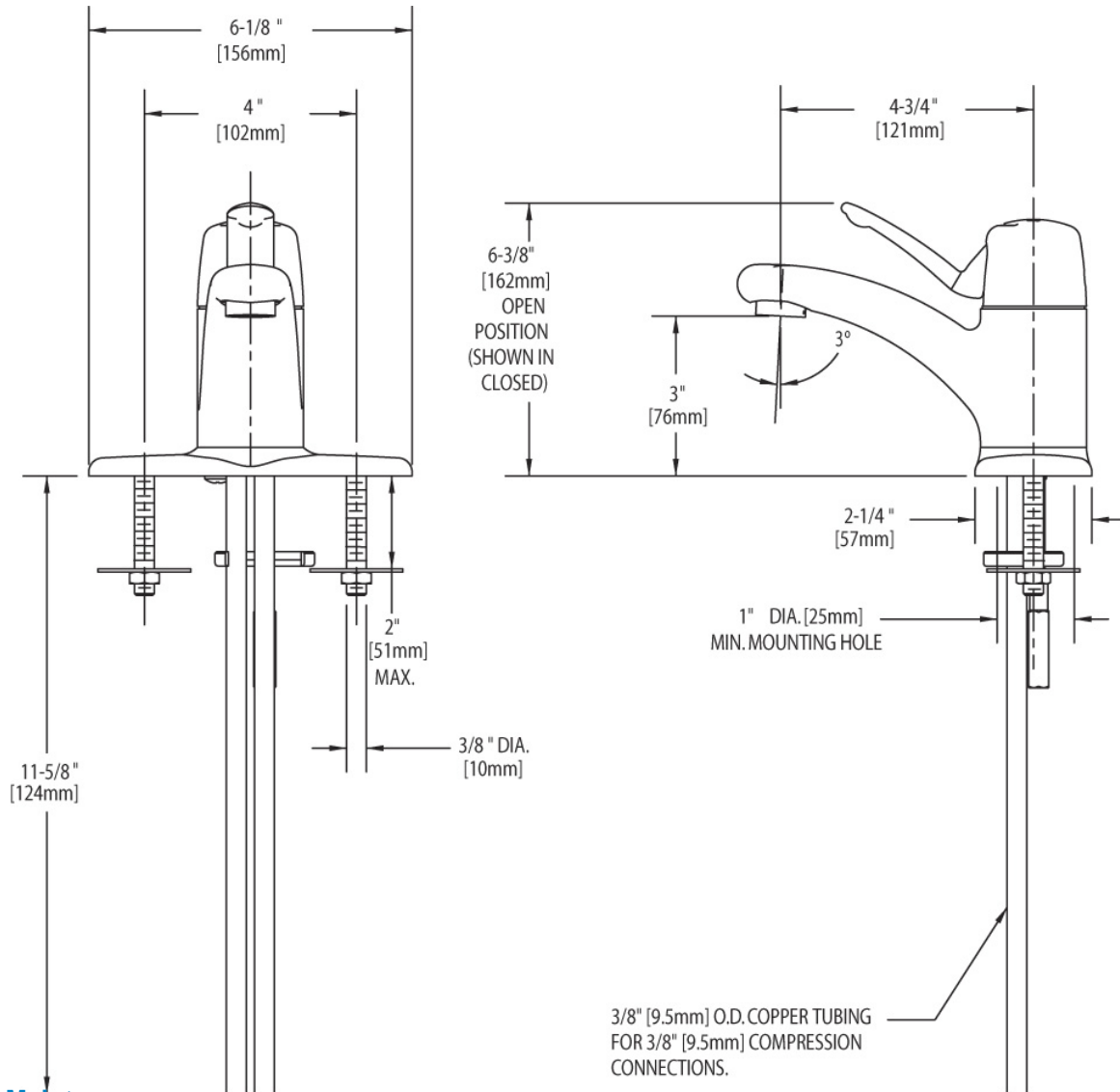
Submitted as Shown Submitted with Variations

Date _____



Architect/Engineer Specification

Chicago Faucets No. 2200-4E2805CP, polished chrome plated solid cast brass body construction with integral 4-3/4" C-C spout and 6 1/8" x 2-1/4" cover plate. 0.5 GPM (1.9 L/min) pressure compensating vandal-resistant spray outlet. Metal lever handle with temperature limit stop and volume control. Ceramic mixing cartridge. 3/8" copper tube supply inlets. All mounting hardware is included for standard lavatory installations. This product meets ADA ANSI/ICC A117.1 requirements and is tested and certified to industry standards: ASME A112.18.1M, CSA B125.1, and Certified to NSF/ANSI 61, Section 9 by CSA.



Operation and Maintenance

Installation should be in accordance with local plumbing codes. Flush all pipes thoroughly before installation. After installation, remove spout outlet or flow control and flush faucet thoroughly to clear any debris. Care should be taken when cleaning the product. Do not use abrasive cleaners, chemicals or solvents as they can result in surface damage. Use mild soap and warm water for cleaning and protecting the life of Chicago Faucet products. For specific operation and maintenance refer to the installation instructions and repair parts documents that are located at www.chicagofaucets.com.

Chicago Faucets, member of the Geberit Group, is the leading brand of commercial faucets and fittings in the United States, offering a complete range of products for schools, laboratories, hospitals, office buildings, food service, airports and sport facilities. Call 1.800.TECTRUE or 1.847.803.5000 Option 1 for installation or other technical assistance.

