

# MANUAL FAUCETS

## 952-CP



### Inside Sill Fitting

#### Product Type

Inside Sill Fitting

#### Features & Specifications

- 2 3/8" C-C Atmospheric Vacuum Breaker Spout
- 3/4" Male Hose Thread Outlet
- 2 1/4" Metal Tee Handle
- Slow Compression Operating Cartridge
- 3/4" NPT Female Thread Inlet
- Atmospheric Vacuum Breaker, Not Intended for Continuous Pressure Applications

#### Performance Specification

- Rating Operating Pressure: 20-125 PSI
- Rated Operating Temperature: 40-140°F

#### Warranty

- Lifetime Limited Faucet Warranty
- 5-Year Limited Cartridge Warranty
- 1-Year Limited Finish Warranty

#### Codes & Standards

- ASME A112.18.1M
- CSA B125.1

Job Name \_\_\_\_\_

Item Number \_\_\_\_\_

Section/Tag \_\_\_\_\_

Model Specified \_\_\_\_\_

Architect \_\_\_\_\_

Engineer \_\_\_\_\_

Contractor \_\_\_\_\_

Submitted as Shown       Submitted with Variations

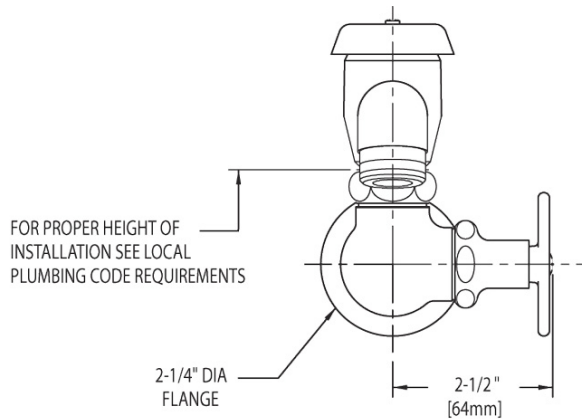
Date \_\_\_\_\_



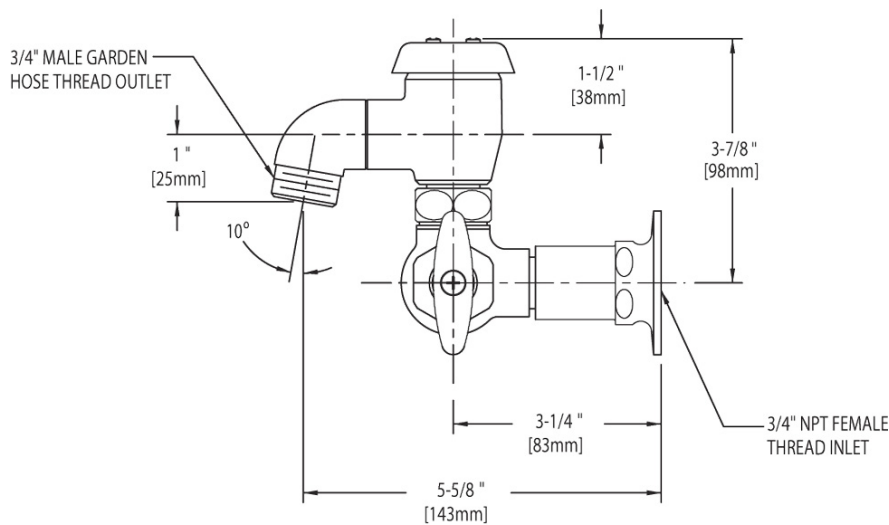
2100 South Clearwater Drive  
 Des Plaines, IL  
 P: 847/803-5000  
 F: 847/803-5454  
 Technical: 800/TEC-TRUE  
 www.chicagofaucets.com

**Architect/Engineer Specification**

Chicago Faucets No. 952-CP, polished chrome plated solid cast brass construction. Atmospheric vacuum breaker rigid spout with 3/4" male garden hose thread outlet. 2-1/4" tee handle with tapered square broach. Slow compression renewable cartridge designed to close with water pressure, with square tapered broach feature to help facilitate handle removal. 3/4" NPT female inlet. Mounting hardware included. This product is tested and certified to industry standards: ASME A112.18.1M, and CSA B125.1.



FRONT VIEW



SIDE VIEW

**Operation and Maintenance**

Installation should be in accordance with local plumbing codes. Flush all pipes thoroughly before installation. After installation, remove spout outlet or flow control and flush faucet thoroughly to clear any debris. Care should be taken when cleaning the product. Do not use abrasive cleaners, chemicals or solvents as they can result in surface damage. Use mild soap and warm water for cleaning and protecting the life of Chicago Faucet products. For specific operation and maintenance refer to the installation instructions and repair parts documents that are located at [www.chicagofaucets.com](http://www.chicagofaucets.com).

Chicago Faucets, member of the Geberit Group, is the leading brand of commercial faucets and fittings in the United States, offering a complete range of products for schools, laboratories, hospitals, office buildings, food service, airports and sport facilities. Call 1.800.TECTRUE or 1.847.803.5000 Option 1 for installation or other technical assistance.



2100 South Clearwater Drive  
Des Plaines, IL  
P: 847/803-5000  
F: 847/803-5454  
Technical: 800/TEC-TRUE  
[www.chicagofaucets.com](http://www.chicagofaucets.com)