

INSTANT-FLOW[®] SR - LOW FLOW

APPLICATION: commercial, industrial, residential, public lavatories, kitchen/bar sink

PRODUCT FEATURES

- Unlimited hot water
- Saves water and energy - 99% energy efficient
- Works on low flow
- Vandal resistant rugged cast aluminum housing
- Space saving compact size: 6-1/4" (H) x 9-5/8" x 2-3/4"
- Meets applicable building codes including ADA, UL, IAPMO, UPC.
- Environmentally friendly
- Made in the U.S.A.

Chronomite Instant-Flow[®] SR - Low Flow models are manufactured to provide reliable point-of-use hot water at 0.5 gallon per minute with a minimum pressure of 25 PSI. There is no pressure and temperature relief valve needed (unless required by code), saving time and money on installation.

Housing is fabricated from rugged cast aluminum alloy.

Element assembly is fabricated from Celcon plastic.

Coils are nichrome.

Faucet flow controls and compression fittings are supplied with each unit.



Instant-Flow[®] SR - Low Flow

GUIDE SPECIFICATION

Tankless Water Heater shall be a Chronomite Laboratories Model

SR - _____ L / _____
AMPS VOLTS OPTIONS

with _____ Amps and _____ Volts

to heat 0.5 gpm at a temperature rise of

_____ °F.

Unit shall be provided with Celcon waterways, and Nichrome heating coils
 Hot water storage vessels are expressly prohibited.

OPTIONAL HOUSING FINISH

- PA 765 ABS (P)
- Satin Finish Stainless Steel (SS)
- High Polish Finish Stainless Steel (SSP)

eg. Model SR-30L/120 with 30 Amps, 120 Volts, and 49°F Temperature Rise

| MODEL | BREAKER SIZE (AMPS) | VOLTAGE | WATTS | TEMP. RISE @ 0.5 GPM |
|------------|---------------------|---------|-------|----------------------|
| SR-15L/120 | 15 | 120 | 1,800 | 24°F |
| SR-15L/277 | 15 | 277 | 4,150 | 57°F |
| SR-20L/120 | 20 | 120 | 2,400 | 33°F |
| SR-20L/208 | 20 | 208 | 4,160 | 57°F |
| SR-20L/240 | 20 | 240 | 4,800 | 65°F |
| SR-20L/277 | 20 | 277 | 5,540 | 75°F |
| SR-30L/120 | 30 | 120 | 3,600 | 49°F |

For the model being selected, please place the corresponding amps, volts and temperature rise values in the Guide Specifications to the right.



Member of U.S. Green Building Council



Water Conserving Product



Made in the USA

Complies with Standards for:



AB1953

CHRONOMITE LABORATORIES, INC.

17451 Hurley St. :: City of Industry, CA 91744
 Phone 800-447-4962 :: 626-937-4270
 Fax 626-937-4279 :: www.chronomite.com

INSTANT-FLOW[®] SR - LOW FLOW

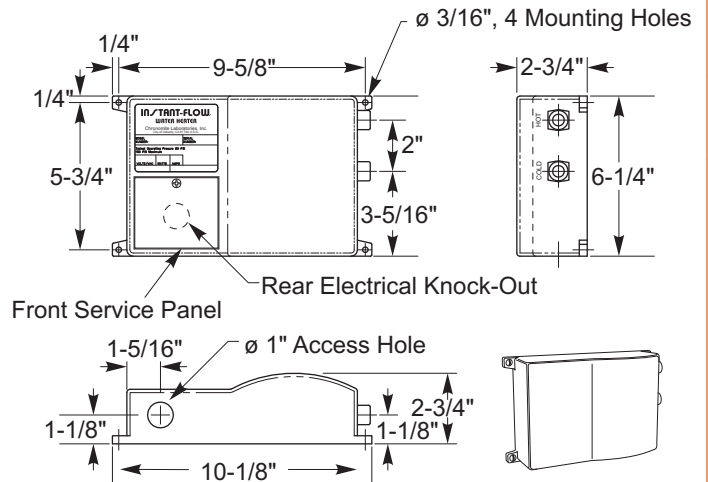
TECHNICAL DIMENSIONS

INSTANT-FLOW[®] SR - LOW FLOW

| | |
|--------------------------------|--|
| Dimensions: | 6-1/4" (H) x 9-5/8" x 2-3/4" |
| Weight: | 5 lbs. |
| Materials: | Rugged cast aluminum housing Celcon plastic element assembly with nichrome coils |
| Housing Color: | White |
| Minimum Operating Flow Rate: | 0.4 GPM |
| Minimum Operating Pressure: | 25 PSI |
| Maximum Operating Pressure: | 150 PSI |
| Maximum Operating Temperature: | 140°F |
| Listing: | UL, IAPMO, UPC, ADA |

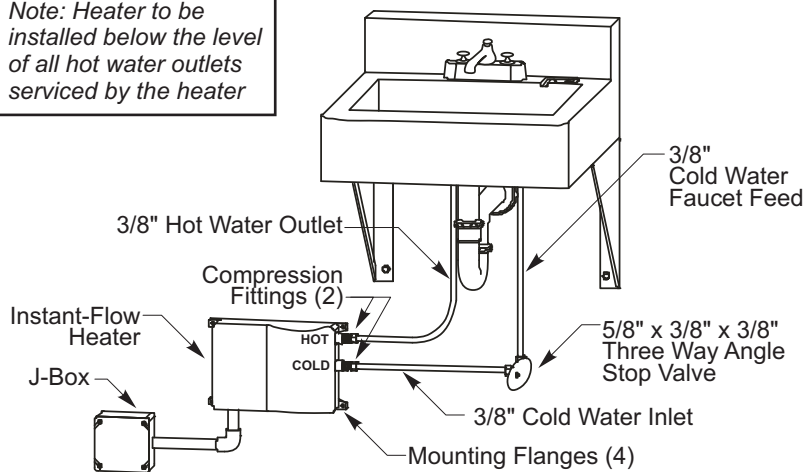
GENERAL NOTES:

- 240V models when operated at 220V will have approximately a 16% temperature decrease.
- 120V models when operated 110V will have approximately a 16% temperature decrease.
- Per UL/IAPMO unit may not exceed maximum operating temperature of 140°F

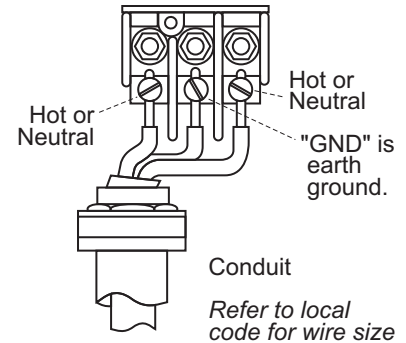


INSTALLATION DIAGRAM

Note: Heater to be installed below the level of all hot water outlets serviced by the heater



WIRING CONNECTION



ATTENTION:

Unit must be hard wired.
NOTE: Heaters are single phase.
All tests are measured at the output of the heater.

Chronomite Laboratories assumes no responsibility for use of void or suspended data. © Copyright 2009 Chronomite Laboratories, Inc. City of Industry, CA Chronomite is a Division of Acorn Engineering Company. Please visit www.chronomite.com for most current specifications.

SELECTION SUMMARY & APPROVAL FOR MANUFACTURING

Company _____

Model Number & Options _____ Quantity _____

Contact _____ Title _____

Signature (Approval for Manufacturing) _____ Date _____

CHRONOMITE
LABORATORIES, INC.

PH. 800-447-4962

626-937-4270

FAX 626-937-4279

www.chronomite.com