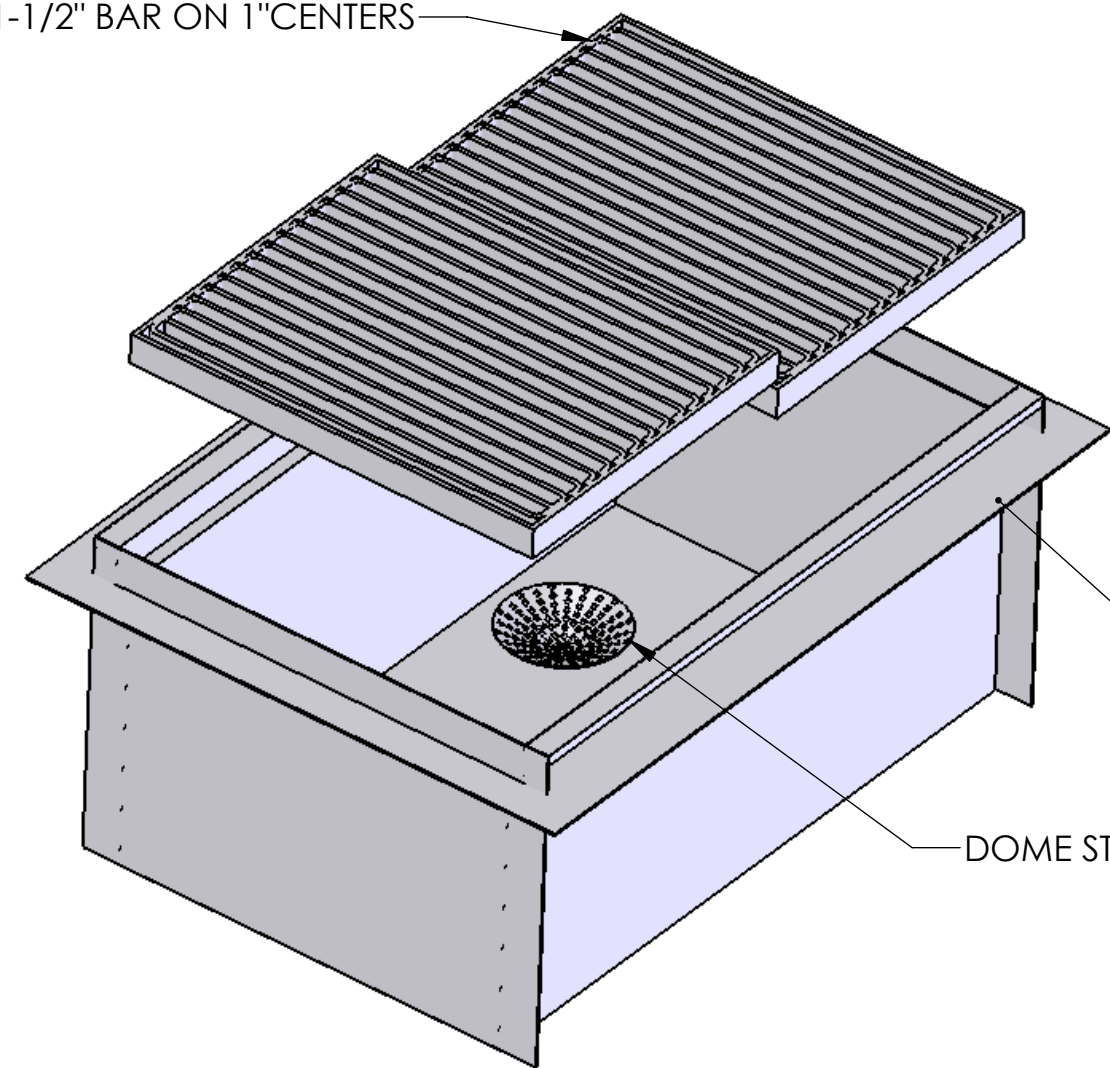


AVAILABLE
OUTLET SIZES: 2", 3", 4", 5", 6"

OUTLET SIZE _____

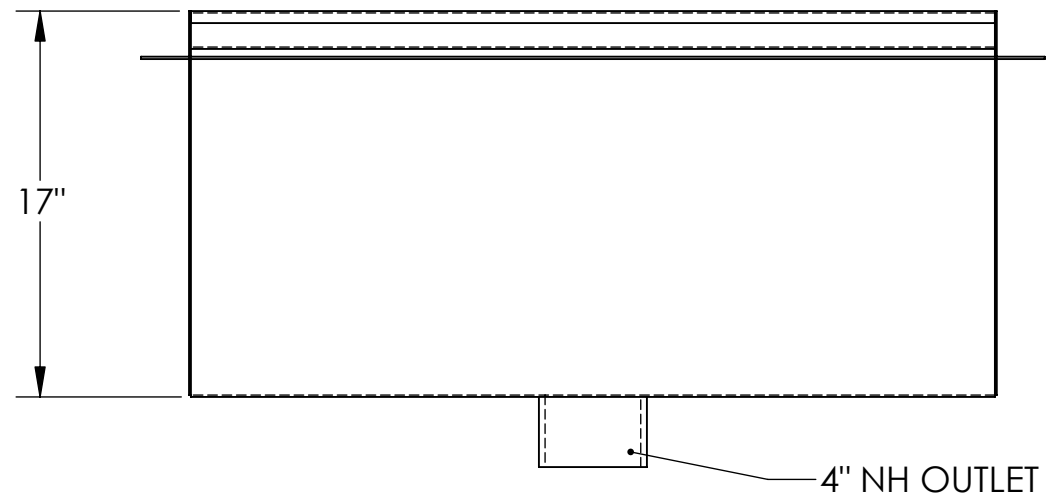
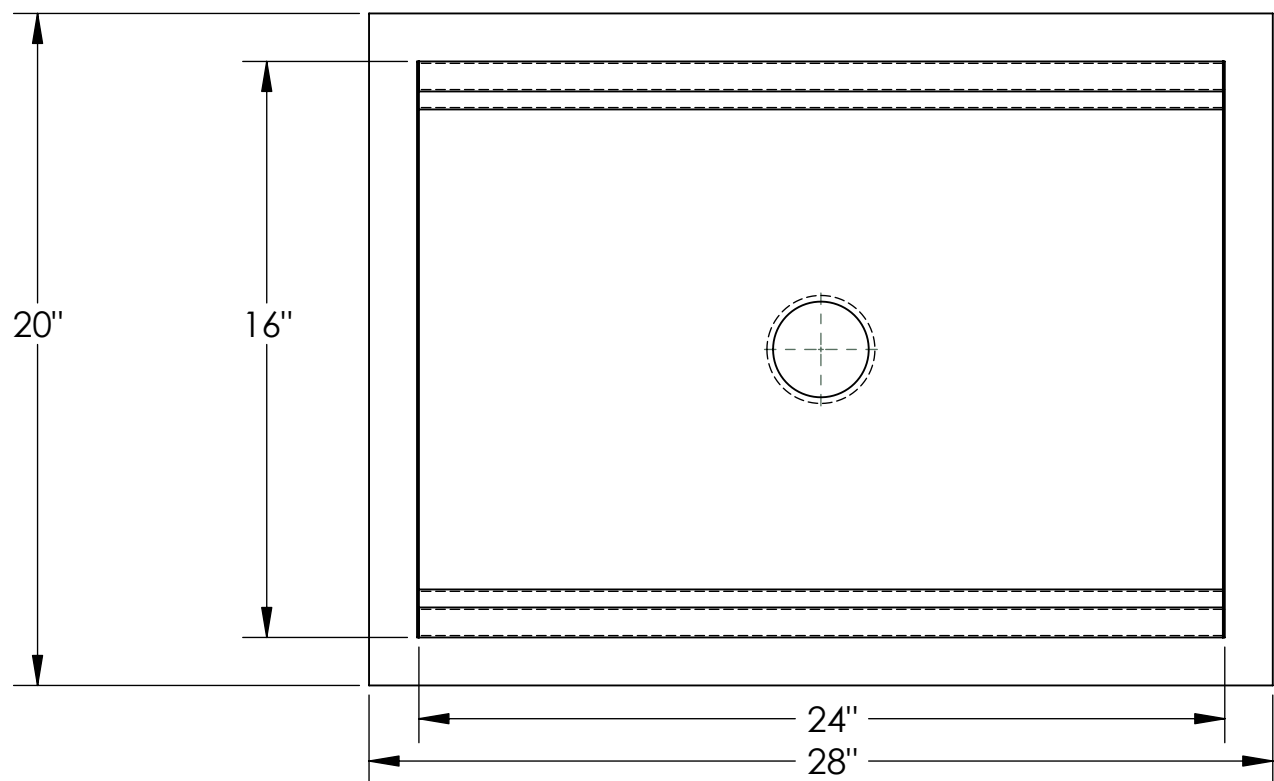
CUSTOMER APPROVAL _____

HEAVY DUTY BAR GRATE
1/4" X 1-1/2" BAR ON 1"CENTERS



ANCHOR
FLANGE

DOMESTRAINER



***** ALL DIMENSIONS ARE NOMINAL DIMENSIONS
AND ARE SUBJECT TO CHANGE *****

StainlessDrains.com
888.785.2345

PROPRIETARY AND CONFIDENTIAL
THE INFORMATION CONTAINED IN THIS
DRAWING IS THE SOLE PROPERTY OF
THE MANUFACTURER INC. ANY
REPRODUCTION IN PART OR AS A WHOLE
WITHOUT THE WRITTEN PERMISSION OF
THE MANUFACTURER INC IS
PROHIBITED.

		UNLESS OTHERWISE SPECIFIED:	NAME	DATE	StainlessDrains.com a division of the Henry Group P. O. Box 1278 Greenville, TX 75403 Toll Free 888-785-2345 TITLE: CSDSUMP24X16X17HD SIZE DWG. NO. REV B
		DIMENSIONS ARE IN INCHES	DRAWN	AM	
		TOLERANCES:	CHECKED	SD	
		FRACTIONAL ±	ENG APPR.		
		ANGULAR: MACH ± BEND ±	MFG APPR.		
		TWO PLACE DECIMAL ±	Q.A.		
		THREE PLACE DECIMAL ±	COMMENTS:		
		INTERPRET GEOMETRIC TOLERANCING PER:			
		MATERIAL			
NEXT ASSY	USED ON	FINISH			
APPLICATION		DO NOT SCALE DRAWING			