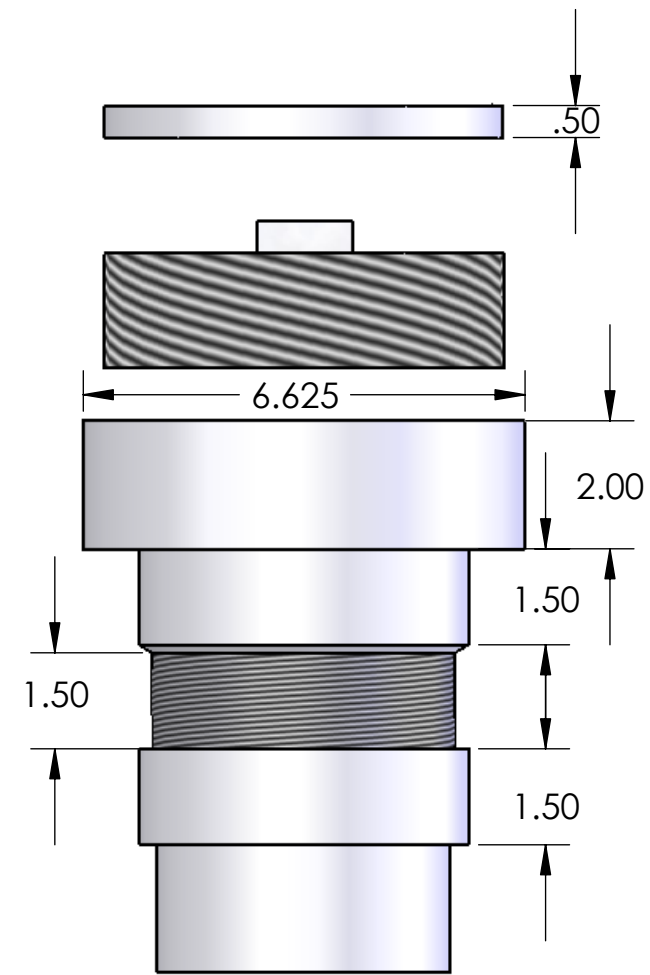
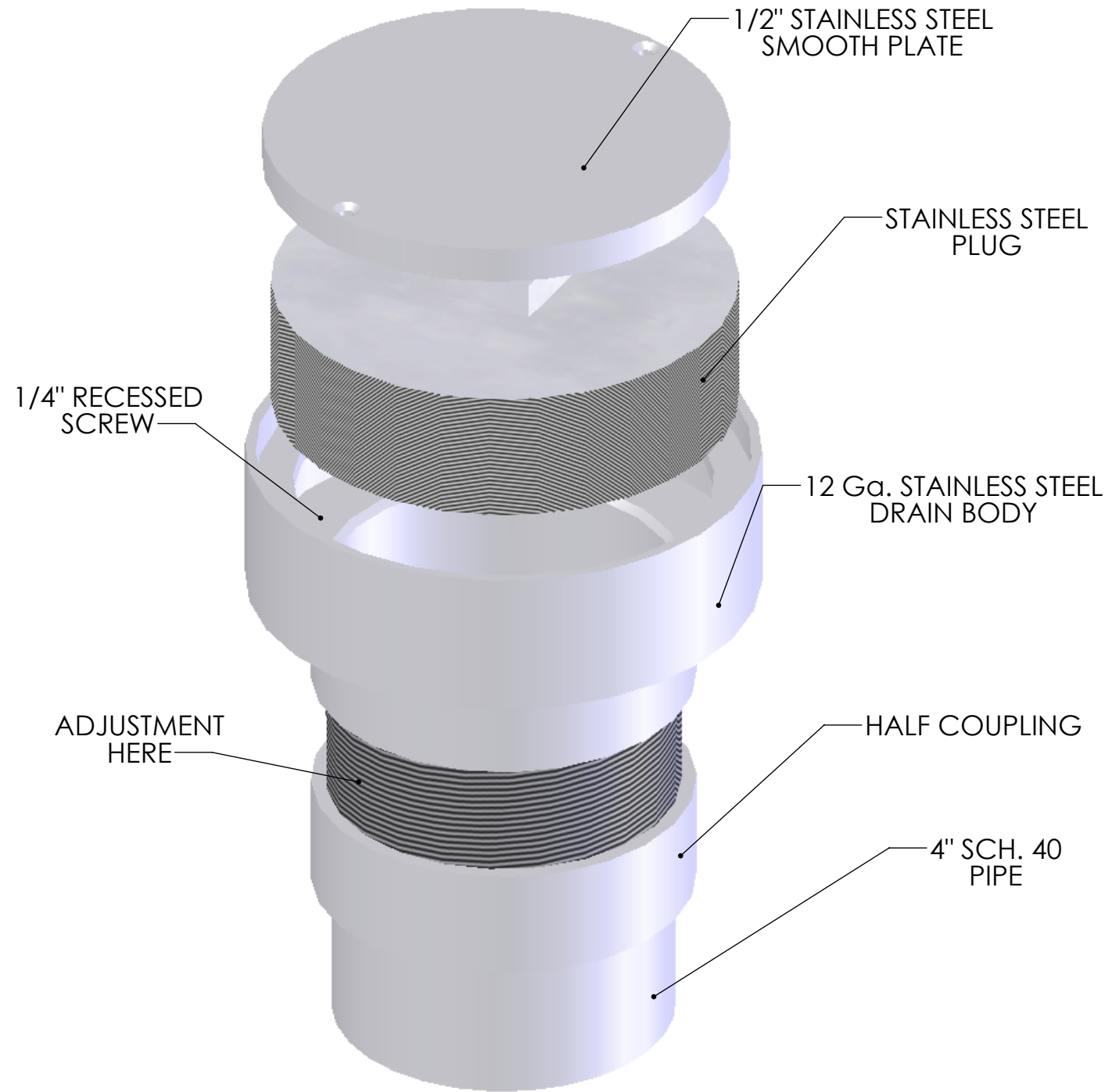


15400 2.3 CLEANOUTS (HD)
FCO AND FFS PER FIXTURE SCHEDULE



***** ALL DIMENSIONS ARE NOMINAL DIMENSIONS AND ARE SUBJECT TO CHANGE *****

StainlessDrains.com
888.785.2345

PROPRIETARY AND CONFIDENTIAL
THE INFORMATION CONTAINED IN THIS DRAWING IS THE SOLE PROPERTY OF STAINLESS DRAINS. ANY REPRODUCTION IN PART OR AS A WHOLE WITHOUT THE WRITTEN PERMISSION OF STAINLESS DRAINS IS PROHIBITED.

		UNLESS OTHERWISE SPECIFIED:	NAME	DATE	StainlessDrains.com a division of East Creek Corp P. O. Box 1278 Greenville, TX 75403 Toll Free 888-785-2345 TITLE: SCH.40 CLNOUT-HD ADJUSTABLE
		DIMENSIONS ARE IN INCHES	DRAWN	AM	
		TOLERANCES:	CHECKED	SD	
		FRACTIONAL ±	ENG APPR.		
		ANGULAR: MACH ± BEND ±	MFG APPR.		
		TWO PLACE DECIMAL ±	Q.A.		
		THREE PLACE DECIMAL ±	COMMENTS:		
		INTERPRET GEOMETRIC TOLERANCING PER:			
		MATERIAL			
NEXT ASSY	USED ON	FINISH			
APPLICATION		DO NOT SCALE DRAWING	SIZE	DWG. NO.	REV

B