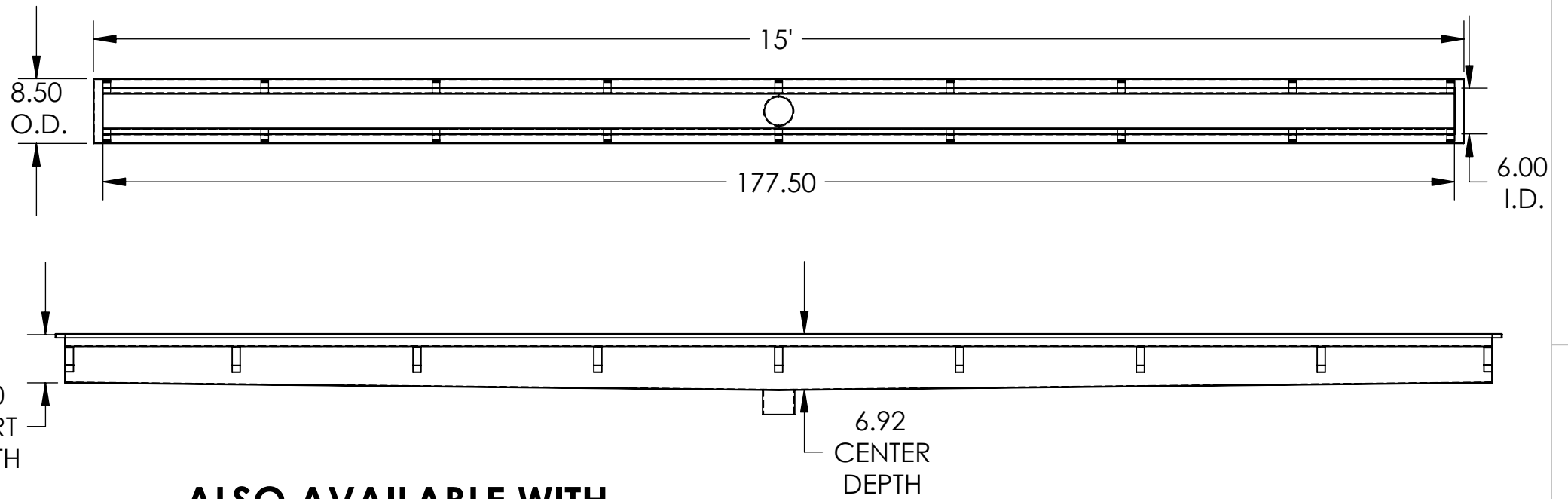


AVAILABLE
OUTLET SIZES: 2", 3", 4", 5", 6"

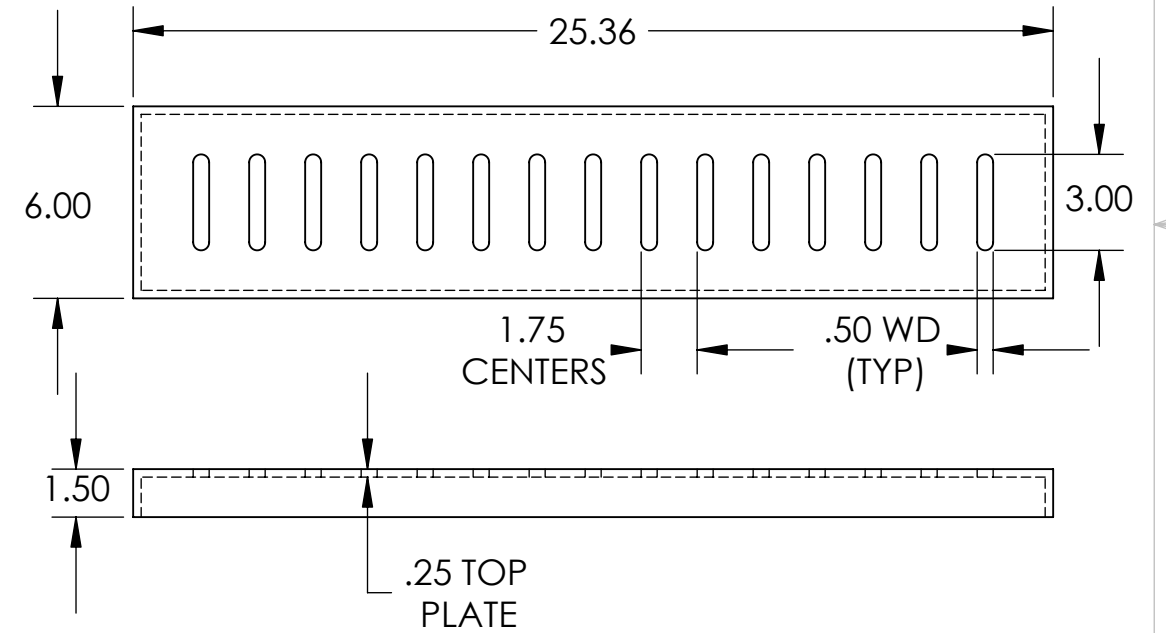
OUTLET SIZE _____

CUSTOMER APPROVAL _____



HEAVY DUTY SLOTTED GRATING
.25" TOP PLATE
3.00" SLOTS, .50" WD ON 1.75" CENTERS
7 GRATES AT 25.36" EACH

**ALSO AVAILABLE WITH
END DISCHARGE OUTLET**



***** ALL DIMENSIONS ARE NOMINAL DIMENSIONS
AND ARE SUBJECT TO CHANGE *****

OPTIONAL
SEDIMENT BASKET

ANCHOR TAB

14 Ga. STAINLESS STEEL
DRAIN BODY

StainlessDrains.com
888.785.2345

PROPRIETARY AND CONFIDENTIAL
THE INFORMATION CONTAINED IN THIS
DRAWING IS THE SOLE PROPERTY OF
STAINLESS DRAINS. ANY
REPRODUCTION IN PART OR AS A WHOLE
WITHOUT THE WRITTEN PERMISSION OF
STAINLESS DRAINS IS PROHIBITED.

UNLESS OTHERWISE SPECIFIED:		NAME	DATE
DIMENSIONS ARE IN INCHES		DRAWN	AM
TOLERANCES:		CHECKED	SD
FRACTIONAL ±		ENG APPR.	
ANGULAR: MACH ± BEND ±		MFG APPR.	
TWO PLACE DECIMAL ±		Q.A.	
THREE PLACE DECIMAL ±		COMMENTS:	
INTERPRET GEOMETRIC TOLERANCING PER:			
MATERIAL			
FINISH			
NEXT ASSY	USED ON		
APPLICATION			
DO NOT SCALE DRAWING			

StainlessDrains.com
a division of East Creek Corp
P. O. Box 1278 Greenville, TX 75403
Toll Free 888-785-2345

TITLE: **SD6X15HDS-
.25" TOP PLATE**

SIZE **B** DWG. NO. _____ REV _____