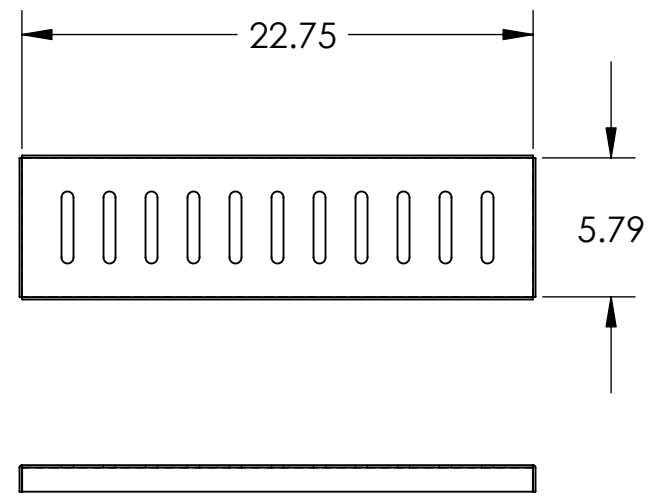
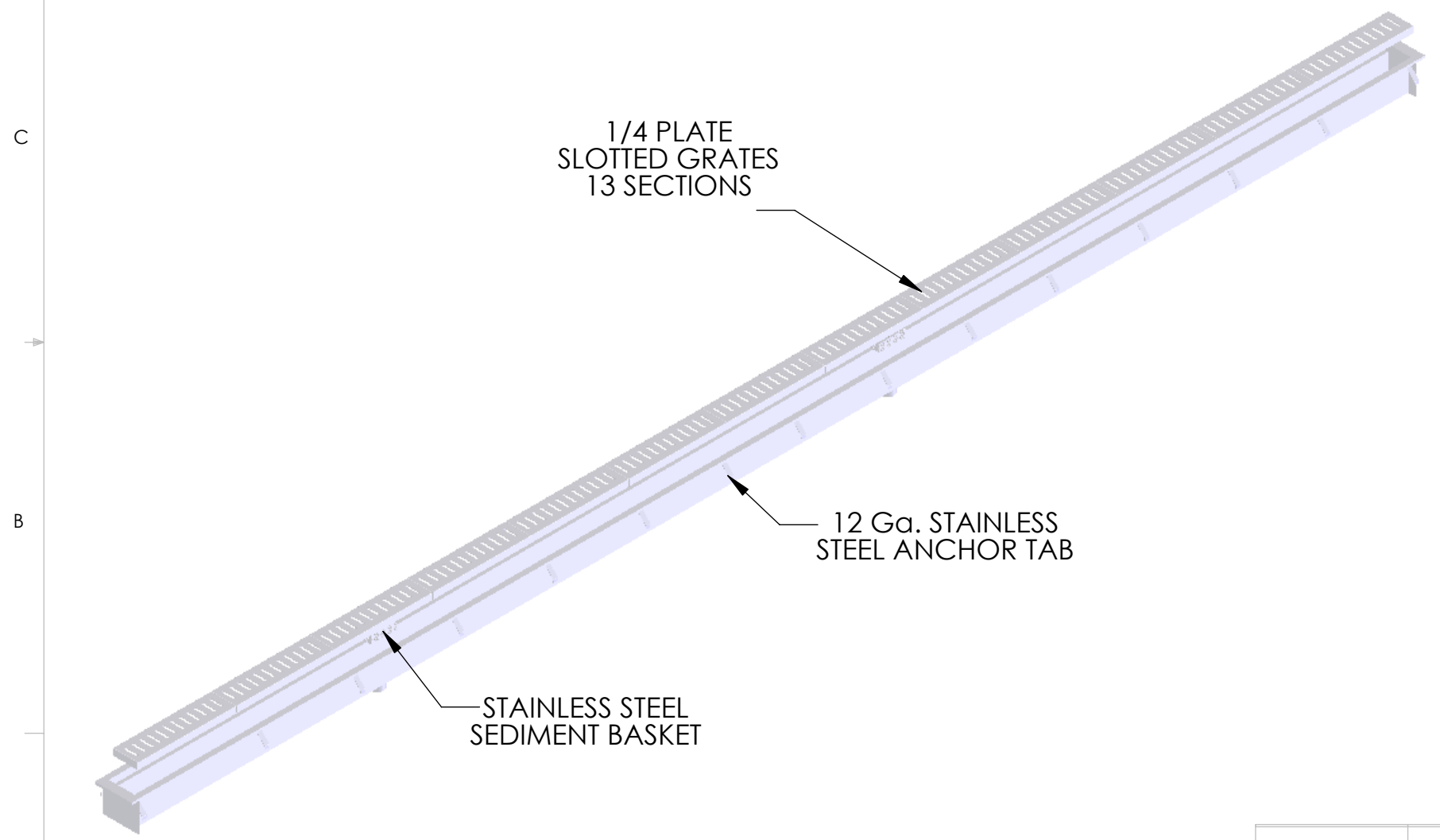
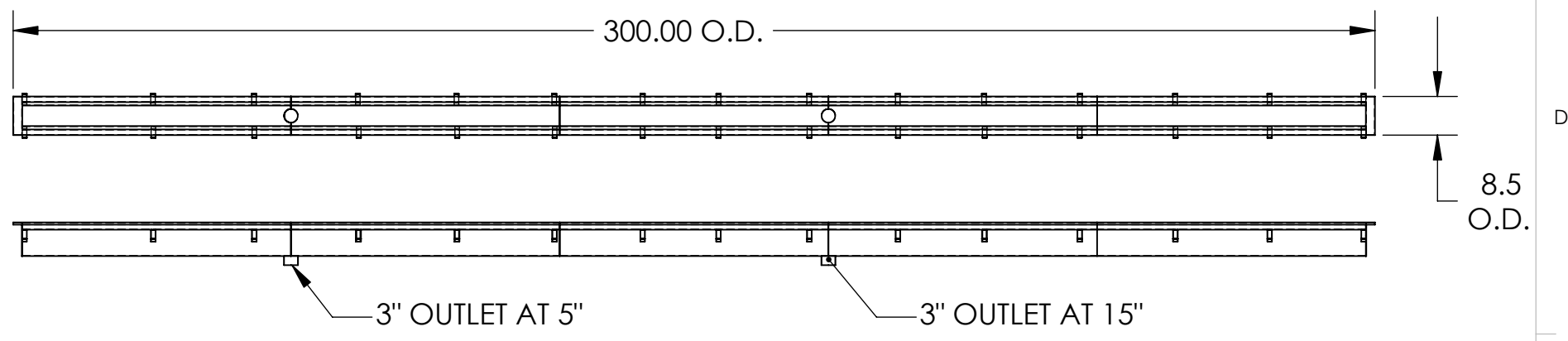


AVAILABLE  
OUTLET SIZES: 2", 3", 4", 5", 6"

OUTLET SIZE \_\_\_\_\_

CUSTOMER APPROVAL \_\_\_\_\_



**\*\*\* ALL DIMENSIONS ARE NOMINAL DIMENSIONS AND ARE SUBJECT TO CHANGE \*\*\***

**StainlessDrains.com**  
888.785.2345

**PROPRIETARY AND CONFIDENTIAL**  
THE INFORMATION CONTAINED IN THIS DRAWING IS THE SOLE PROPERTY OF STAINLESS DRAINS. ANY REPRODUCTION IN PART OR AS A WHOLE WITHOUT THE WRITTEN PERMISSION OF STAINLESS DRAINS IS PROHIBITED.

		UNLESS OTHERWISE SPECIFIED:		NAME	DATE
		DIMENSIONS ARE IN INCHES		DRAWN	AM
		TOLERANCES:		CHECKED	SD
		FRACTIONAL ±		ENG APPR.	
		ANGULAR: MACH ± BEND ±		MFG APPR.	
		TWO PLACE DECIMAL ±		Q.A.	
		THREE PLACE DECIMAL ±		COMMENTS:	
		INTERPRET GEOMETRIC TOLERANCING PER:			
		MATERIAL			
		FINISH			
NEXT ASSY	USED ON				
APPLICATION		DO NOT SCALE DRAWING			

**StainlessDrains.com**  
a division of East Creek Corp  
P. O. Box 1278 Greenville, TX 75403  
Toll Free 888-785-2345

TITLE:  
**CSD6X25.25SDUAL3SB16**

SIZE <b>B</b>	DWG. NO.	REV
------------------	----------	-----