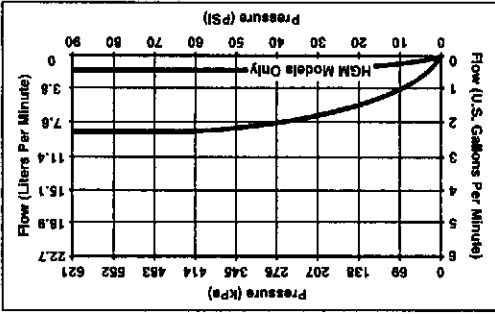


Delta reserves the right (1) to make changes in specifications and materials, and (2) to change or discontinue models, both without notice or obligation. Dimensions are for reference only.



- STANDARD SPECIFICATIONS:**
- Single handle lavatory deck faucets for exposed mounting on two and three hole sinks.
 - 4" (102 mm) centerset.
 - Solid brass fabricated body.
 - 4 1/2" (114 mm) long spout.
 - Vandal resistant aerator or spray outlet.
 - Metal grid strainer (523).
 - Metal pop-up drain (520).
 - Lift Rod Hole (520).
 - Vandal resistant lever handle. Red/blue colored graphics indicate hot/cold temperature.
 - Control mechanism shall be of the rotating stainless steel ball type with replaceable non-metallic seats operating in stainless steel lined sockets.
 - Control handle shall return to the neutral position when valve is turned off.
 - Adjustable handle limit stop.
 - Models have 3/8" O.D. copper supply tubes.
 - Models with suffix "WF" supplied with 1/2"-14 NPSM adapters.

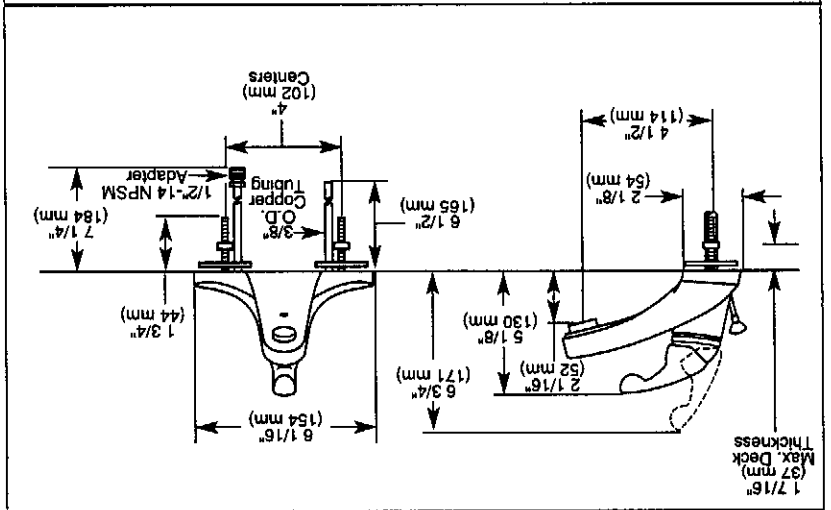
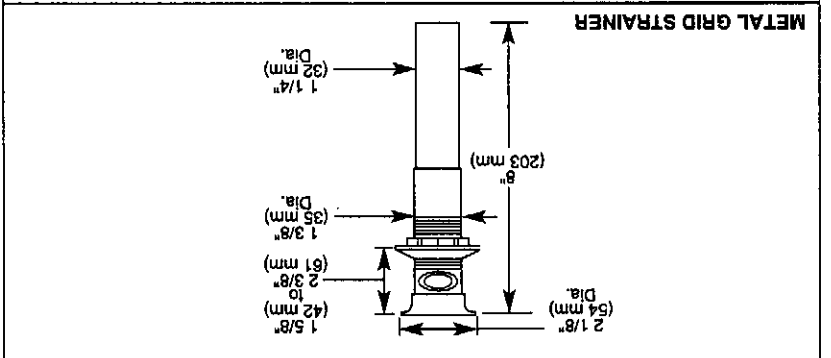
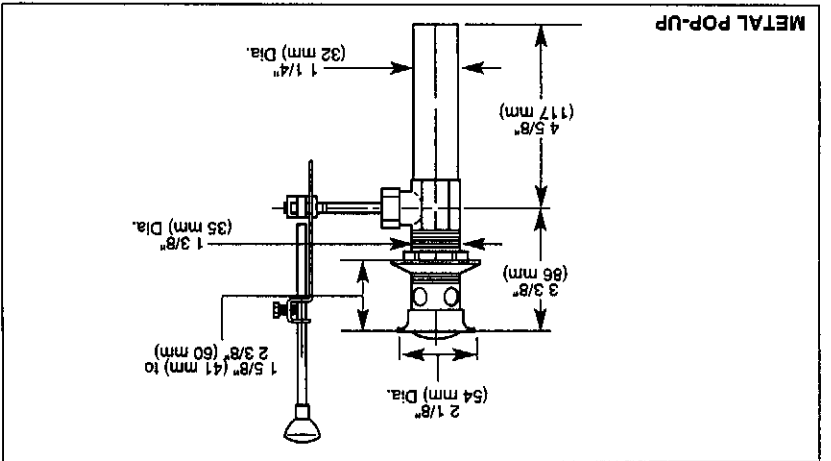
- COMPLIES WITH:**
- ASME A112.18.1
 - CSA B125
 - Indicates ADA compliance to CABO/ANSI A17.1
 - IAPMO Listed
 - CSA Certified



UL Listed
UL Listed to US and Canada
Safety Standard and Classified in accordance with ANSI Z11.1

DELTA COMMERCIAL LAVATORY FAUCETS

- Single Handle
- Deck Mount
- 2 and 3 Hole Sink Applications
- 4" (102 mm) Centerset



Submitted Model No.:
Specific Features:

| | | |
|--|------------------------------|------------------------------|
| <p>501-WFHDF 520-WFHDF 523-WFHDF</p> | <p>520-HDF 523-WFHDF</p> | <p>523-HDF 523-WFHDF</p> |
|--|------------------------------|------------------------------|





Indianapolis, Indiana 46280
 A Division of Masco Corporation of Indiana
 © 2002 Masco Corporation of Indiana
 DSP-501-HDF Rev. B

Available Options for Field Conversion:
 • 6" (152 mm) long elbow handle—red/blue colored graphics indicate hot/cold temperature.
 Order RP5645.

| Standard Features | 501-WFHDF | 501-WFHGMHDF | 520-HDF | 520-WFHDF | 520-WFHGMHDF | 523-HDF | 523-WFHDF | 523-WFHGMHDF |
|--|-----------|--------------|---------|-----------|--------------|---------|-----------|--------------|
| Washless | ◆ | ◆ | ◆ | ◆ | ◆ | ◆ | ◆ | ◆ |
| Vandal Resistant Lever Handle with Red/Blue Indicators | ☐ | ☐ | ☐ | ☐ | ☐ | ☐ | ☐ | ☐ |
| 4" (102 mm) Centerset | ◆ | ◆ | ◆ | ◆ | ◆ | ◆ | ◆ | ◆ |
| 4 1/2" (114 mm) Long Spout | ◆ | ◆ | ◆ | ◆ | ◆ | ◆ | ◆ | ◆ |
| 2.2 gpm (8.3 L/min) Vandal Resistant Aerator | ◆ | ◆ | ◆ | ◆ | ◆ | ◆ | ◆ | ◆ |
| .5 gpm (1.9 L/min) Vandal Resistant Spray Outlet | ◆ | ◆ | ◆ | ◆ | ◆ | ◆ | ◆ | ◆ |
| 3/8" O.D. Copper Supply Tubes | ◆ | ◆ | ◆ | ◆ | ◆ | ◆ | ◆ | ◆ |
| 1/2"-14 NPSM Adapters | ◆ | ◆ | ◆ | ◆ | ◆ | ◆ | ◆ | ◆ |
| Metal Pop-Up Drain | ◆ | ◆ | ◆ | ◆ | ◆ | ◆ | ◆ | ◆ |
| Metal Grid Strainer | ◆ | ◆ | ◆ | ◆ | ◆ | ◆ | ◆ | ◆ |
| Lift Rod Hole | ◆ | ◆ | ◆ | ◆ | ◆ | ◆ | ◆ | ◆ |
| Chrome Finish | ◆ | ◆ | ◆ | ◆ | ◆ | ◆ | ◆ | ◆ |

