

**Kingsford® Single Bowl
Model KJ-12522**

DAYTON

SPECIFICATIONS

GENERAL

Sink bowls seamlessly drawn of heavy-gauge, nickel-bearing stainless steel.

DESIGN FEATURES

Bowl Depth: 6".

Faucet Deck: Raised.

Bowl Finish: Sink bowl is polished to a buffed finish.

Underside: Sound deadened on bottom only.

Self Rim: Fastening device to be "J" channel type with the appropriate number of clamps to provide a secure, watertight installation.

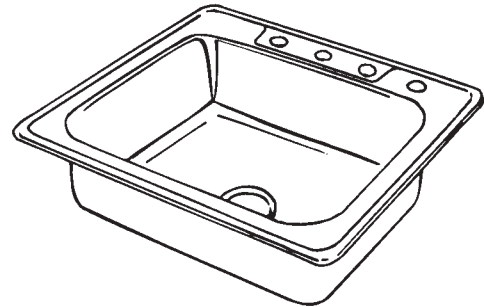
OTHER

Drain opening: 3-1/2".


Faucet Holes: Available with 0, 3 or 4, 1-1/2" diameter faucet holes, 4" center to center.

Note: Unless otherwise specified, sink is furnished with four faucet holes.

Complies with ANSI Standard A112.19.3M.



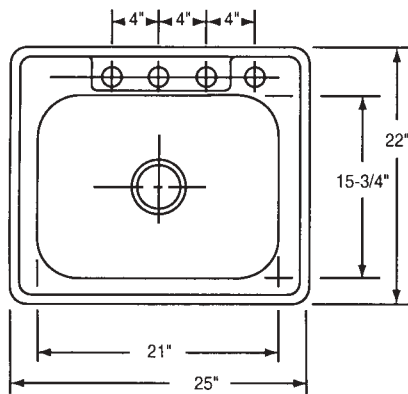
Model KJ-12522-4

 This sink is listed by the International Association of Plumbing and Mechanical Officials as meeting the requirements of the Uniform Plumbing Code.

SINK DIMENSIONS

Model No.	DIMENSIONS IN INCHES					Cutout in Countertop 1 1/2" Radius Corners		Number Of Faucet Holes	Ship Wt. Lbs.
	Overall Size		Inside Each Bowl			L	W		
	L	W	L	W	D				
KJ-12522	25	22	21	15 3/4	6	24 3/8	21 3/8	0, 3 or 4	9
KJ6-12522	25	22	21	15 3/4	6	24 3/8	21 3/8	0, 3 or 4	47
KJ50-12522	25	22	21	15 3/4	6	24 3/8	21 3/8	0, 3 or 4	360

KJ-Prefix sinks are packed one per shipping carton.
KJ6-Prefix sinks are nested six per shipping carton.
KJ50-Prefix sinks are nested 50 per shipping carton.



Bowl Depth is 6"
Model KJ-12522-4 Illustrated

ALL DIMENSIONS IN INCHES, TO CONVERT TO MILLIMETERS MULTIPLY BY 25.4.

In keeping with our policy of continuing product improvement, Elkay reserves the right to change product specifications without notice.

This specification describes an Elkay product with design, quality and functional benefits to the user. When making a comparison of other producers' offerings, be certain these features are not overlooked.