

DAYTON® SPECIFICATIONS

Dayton® Elite Double Bowl Sink Models DSE23321, DSE23322 and DSEJ23322 Series

GENERAL

Sink is formed of #20 gauge, 300 series, nickel-bearing stainless steel. Top mount.

DESIGN FEATURES

Bowl Depth: 8-1/16" (206mm)

Rim Height: 5/32" (4mm)

Faucet Deck: Raised

Coved Corners: 4" (102mm) vertical and 3-1/4" (83mm) horizontal radius.

Finish: Exposed surfaces are polished to an elite satin finish.

Underside: Fully undercoated to reduce condensation and dampen sound.

OTHER

Drain Opening: 3-1/2" (89mm)

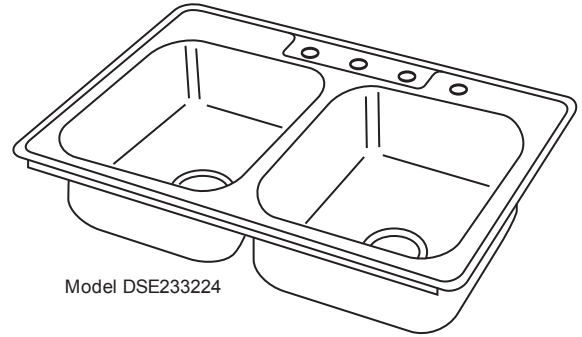
Note: Unless otherwise specified, sink is furnished with 4 faucet holes as shown.

Installation Hardware: Included for 3/4" (19mm) countertop.

Sink complies with ASME A112.19.3-2008 / CSA B45.4-08.



These sinks are listed by the International Association of Plumbing and Mechanical Officials as meeting the requirements of the Uniform Plumbing Code and the National Plumbing Code of Canada.



Model DSE233224

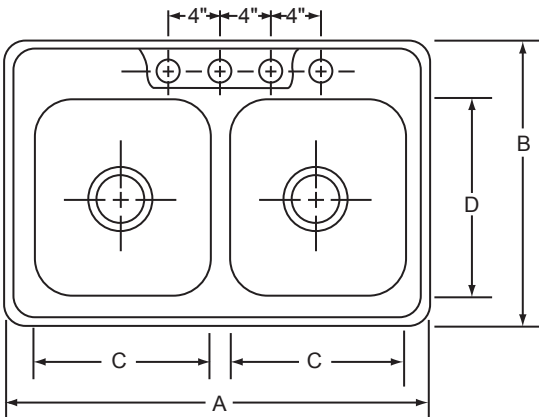


SINK DIMENSIONS (INCHES)*

U-Channel Model Number	J-Channel Model Number	Overall		Inside Each Bowl			Cutout in Countertop (1-1/2" (38mm) Radius Corners)		No. of 1-1/2" (38mm) Dia. Faucet Holes 4" (102mm) Center	Minimum Cabinet Size
		L	W	L	W	D	L	W		
		A	B	C	D	E	L	W		
DSE23321	—	33 (838mm)	21-1/4 (540mm)	14 (356mm)	15-3/4 (400mm)	8-1/16 (206mm)	32-3/8 (822mm)	20-5/8 (524mm)	3, 4 or 5	36 (914mm)
DSE23322	DSEJ23322	33 (838mm)	22 (559mm)	14 (356mm)	15-3/4 (400mm)	8-1/16 (206mm)	32-3/8 (822mm)	21-3/8 (543mm)	1†, 2†, 3, 4 or 5†	36 (914mm)

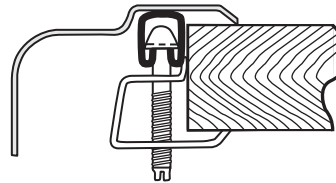
*Length is left to right. Width is front to back.

† 1, 2, and 5 hole only available for model DSE23322.

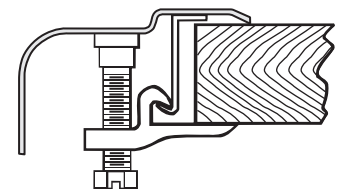


E is Bowl Depth

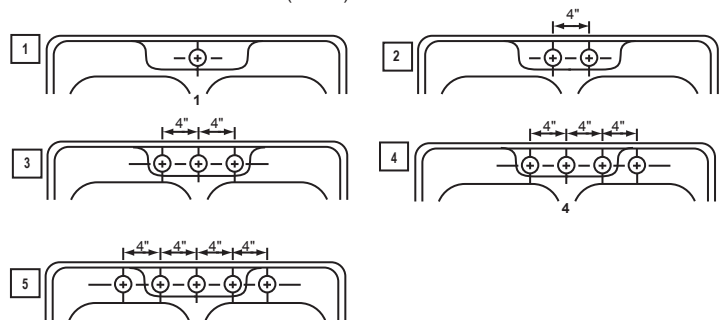
U-Channel Type Mounting System



J-Channel Type Mounting System



Hole Drilling Configurations 1-1/2" (38mm) Diameter Faucet Holes



In keeping with our policy of continuing product improvement, Elkay reserves the right to change product specifications without notice.

This specification describes an Elkay product with design, quality and functional benefits to the user. When making a comparison of other producers' offerings, be certain these features are not overlooked.