

Brass Tubular Full Kits Standard Outlet

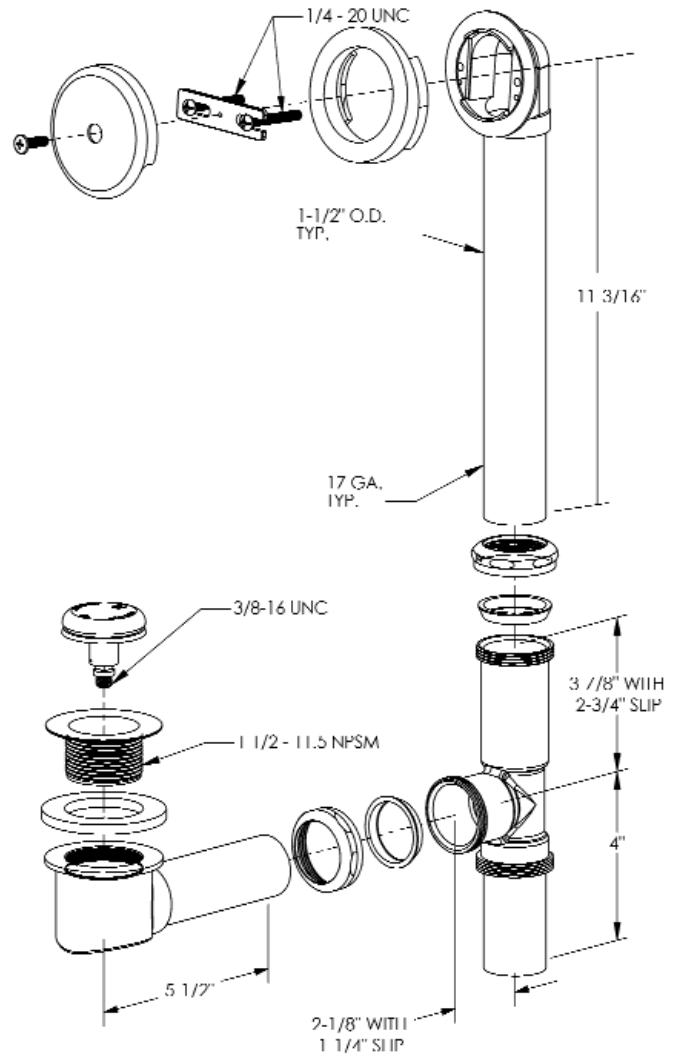
SUBMITTAL SPECIFICATION

Engineering Specification: Manufactured to strict industry standards, 17 Gauge Standard Outlet Bath Waste, 1-1/2" Waste Shoe, 1-1/2" Brass Drain Spud, Brass Nuts. Various stopper styles available.

Job Reference



Data is subject to manufacturing tolerances.



Visit www.dearbornbrass.com for updates.

✓	Prod. No	Description
	228-3	FULL KIT, BRASS TUBULAR- 17 GA. TOUCH TOE STOPPER W/CHROME FINISH TRIM
	226-3	FULL KIT, BRASS TUBULAR- 17 GA. TRIP LEVER STOPPER W/CHROME FINISH TRIM
	226C-3	FULL KIT, BRASS TUBULAR- 17 GA. TRIP LEVER STOPPER W/CHROME FINISH TRIM W/CONDENSATE ELBOW
→	227-3	FULL KIT, BRASS TUBULAR- 17 GA. UNI-LIFT STOPPER W/CHROME FINISH TRIM
	227C-3	FULL KIT, BRASS TUBULAR- 17 GA. UNI-LIFT STOPPER W/CHROME FINISH TRIM W/CONDENSATE ELBOW
	230-3	FULL KIT BRASS TUBULAR FOR WHIRLPOOL TUBS- 17 GA. TRIP LEVER STOPPER W/ CHROME FINISH