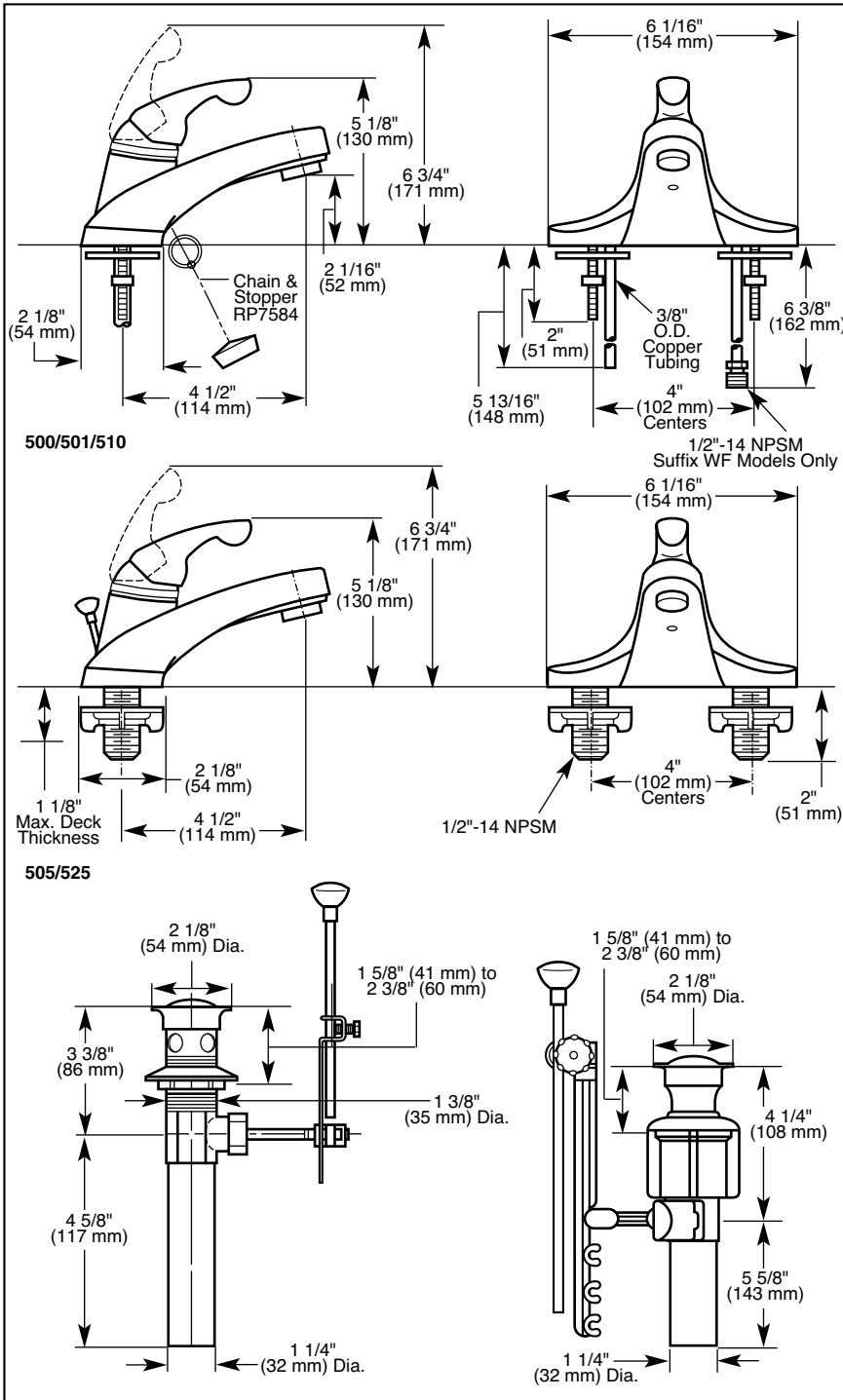


Submitted Model No.: \_\_\_\_\_

Specific Features: \_\_\_\_\_



# DELTA

## LAVATORY FAUCETS

- Single Handle
- Deck Mount
- 2 and 3 Hole Sink Applications
- 4" Centerset



**LISTED**  
UL Listed to US and Canadian  
Safety Standards and Classified  
in accordance with  
ANSI/NSF 61Q  
21PL

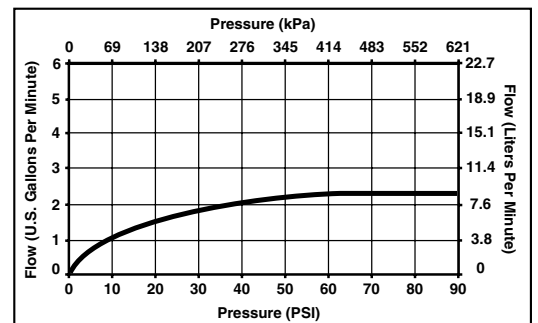


### COMPLIES WITH:

- ASME A112.18.1M-1996
- CSA B125-93
- Indicates ADA compliance to CABO/ANSI A117.1-1992
- IAPMO Listed
- CSA Certified
- ASTM F409 (for non-metallic drain)

### STANDARD SPECIFICATIONS:

- Single handle lavatory deck faucets for exposed mounting on two and three hole sinks.
- 4" (102 mm) centerset.
- Solid brass fabricated body.
- 4 1/2" (114 mm) long spout.
- Lever handle. Control mechanism shall be of the rotating stainless steel ball type with replaceable non-metallic seats operating in stainless steel lined sockets.
- Control handle shall return to neutral position when valve is turned off.
- Models 500, 501 and 510 and 520 Series supplied with 3/8" O.D. copper supply tubes.
- Models with suffix "WF" supplied with 1/2"-14 NPSM adapters.
- Models 505 and 525 Series supplied with 1/2"-14 NPSM threaded male inlet shanks.
- Models with Snap-N-Pop-Up® drain have polypropylene pop-up type fitting with plated flange and stopper.
- Models with metal drain have pop-up type fitting with plated flange and stopper.



Delta reserves the right (1) to make changes in specifications and materials, and (2) to change or discontinue models, both without notice or obligation. Dimensions are for reference only.

Standard Features	500	500-WF	501	501-WF	505	510-WF	520	520-MPU	520-WF	520-WFMPU	520-CBWF	520-PB	520-PBWF	520-WHWF	525-MPU
Washerless	◆	◆	◆	◆	◆	◆	◆	◆	◆	◆	◆	◆	◆	◆	◆
Two Hole Installation	◆	◆	◆	◆	◆	◆									
Three Hole Installation	◆	◆	◆	◆	◆	◆	◆	◆	◆	◆	◆	◆	◆	◆	◆
4" (102 mm) Centerset	◆	◆	◆	◆	◆	◆	◆	◆	◆	◆	◆	◆	◆	◆	◆
4 1/2" (114 mm) Long Spout	◆	◆	◆	◆	◆	◆	◆	◆	◆	◆	◆	◆	◆	◆	◆
Lever Handle	Ⓢ	Ⓢ	Ⓢ	Ⓢ	Ⓢ	Ⓢ	Ⓢ	Ⓢ	Ⓢ	Ⓢ	Ⓢ	Ⓢ	Ⓢ	Ⓢ	Ⓢ
With Chain and Stopper						◆									
No Lift Rod Hole			◆	◆		◆									
With Lift Rod Hole	◆	◆			◆		◆	◆	◆	◆	◆	◆	◆	◆	◆
3/8" O.D. Copper Supply Tubes	◆	◆	◆	◆		◆	◆	◆	◆	◆	◆	◆	◆	◆	
1/2"-14 NPSM Adapters		◆		◆		◆			◆	◆	◆		◆	◆	
1/2"-14 NPSM Male Threaded Inlet Shanks					◆										◆
Snap-N-Pop-Up® Drain							◆		◆						
Metal Pop-Up Drain								◆		◆	◆	◆	◆	◆	◆
No Pop-Up Drain	◆	◆	◆	◆	◆	◆									
Chrome Finish	◆	◆	◆	◆	◆	◆	◆	◆	◆						◆
Chrome and <i>Brilliance</i> ™ Polished Brass Finish											◆				
<i>Brilliance</i> ™ Polished Brass Finish												◆	◆		
White Finish														◆	



Indianapolis, Indiana 46280  
A Division of Masco Corporation of Indiana  
© 2001 Masco Corporation of Indiana