



## Lavatory Faucets

4" deck LESS pop-up - CER-TECK® ceramic structures

### Model No: 27C4844

#### COMPLIES WITH:

- CSA certified.
- Complies to ASME Standard A112.18.1.
- IAPMO listed
- (Contact Delta Representative for State and/or Local Approvals)
- 102 mm (4") Blade Handle {ADA}ADA compliant and meets Handicapped Accessibility Standard ASME 117.1 of less than 5 lbs operating force



#### NOTES:

Verified to <0.25% Pb average wetted surface regulations

CA/VT Compliance:

This COMPLETE SERIES is ONLY available as CA/VT Compliant product as of Nov. 1, 2009.

The Product Numbers have NOT changed.

***(Dimensional drawing on following page)***

#### SPECIFICATION:

- HEAVY DUTY CAST BRASS sink faucet
- 102mm (4") centers, two handle
- Polished chrome plated finish
- Metal hold-down package
- Brass Swing Spout or 3/8" IPS Brass Pipe Rigid/Swivel Gooseneck Spout
- 4" deck LESS pop-up - CER-TECK® ceramic structures
- Spout#: 8 - Gooseneck spout-4.5" radius - 10.5" height (unmounted) - Standard rigid/swivel field installation unless LS Limited swing option selected-Vandal resistant .090" wall thickness(R2)
- Outlet#: 4 - Standard 1.5 USGPM (5.7 L/Min) Flow Control Aerator
- Handle#: 4 - 102 mm (4") Blade Handles- ADA Compliant-Sanitary Hoods- Metal-Color indexed-Vandal resistant screws

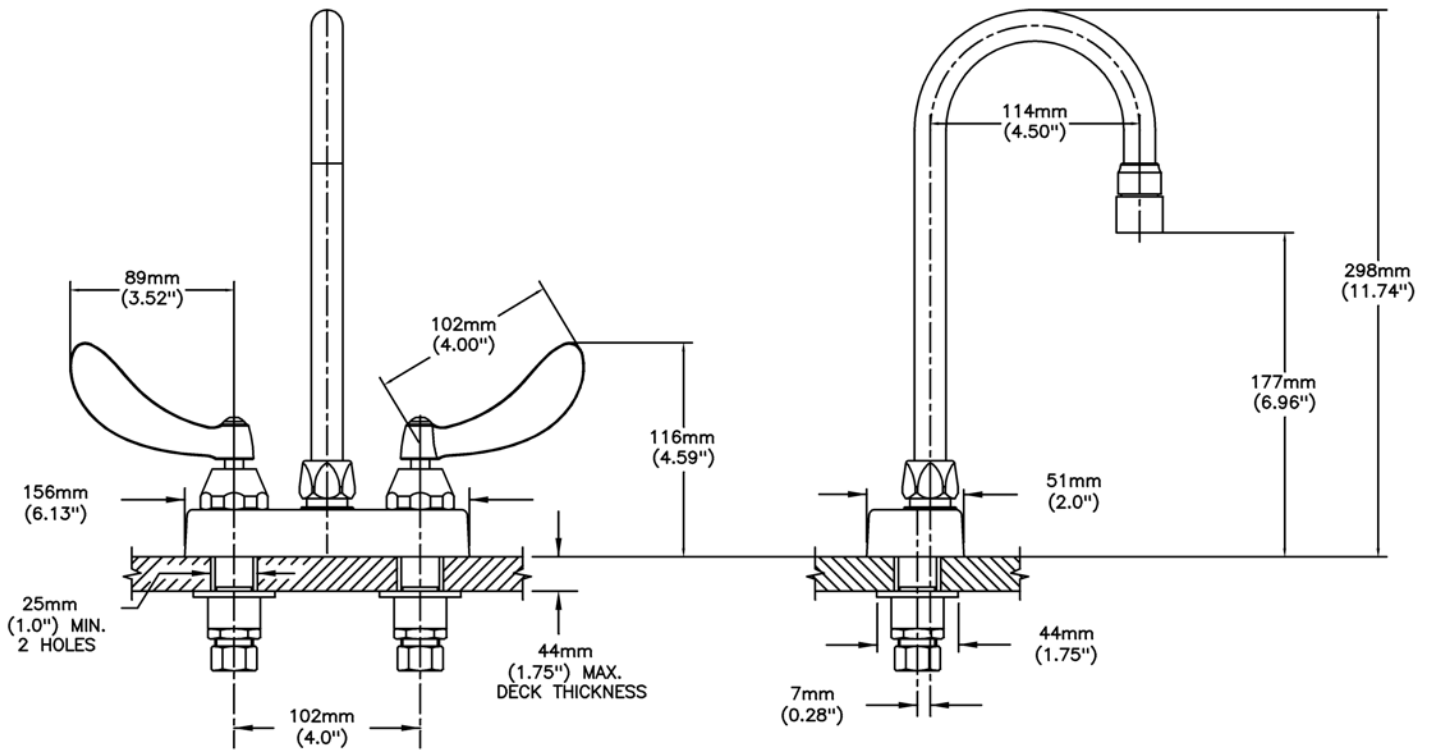
#### OPERATION:

- Not Available

Delta reserves the right (1) to make changes to specifications and materials, and (2) to change or discontinue models, both without notice or obligation. Dimensions are for reference. Measurement may vary plus or minus 6mm(0.25"). Mounting locations are suggested only. Check with local codes for requirements in your area.

Delta Faucet Company - 55 East 111th St. - Indianapolis, Indiana, USA 46280 - (317) 848-1812  
Delta Faucet Canada - 395 Matheson Blvd E - Mississauga, Ontario, Canada L4Z 2H2 - (905) 712-3030

Model No: 27C4844



INLET FOR 3/8" OR 1/2" FLEXIBLE RISER  
OR 1/2-14 NPSM COUPLING NUT (SUPPLIED)

Delta reserves the right (1) to make changes to specifications and materials, and (2) to change or discontinue models, both without notice or obligation. Dimensions are for reference. Measurement may vary plus or minus 6mm(0.25"). Mounting locations are suggested only. Check with local codes for requirements in your area.

Delta Faucet Company - 55 East 111th St. - Indianapolis, Indiana, USA 46280 - (317) 848-1812  
Delta Faucet Canada - 395 Matheson Blvd E - Mississauga, Ontario, Canada L4Z 2H2 - (905) 712-3030