



Electronic Faucets

Battery Operated - 4" Lavatory - Cast one-piece body with integral waterproof sensor and connector

Model No: 591T1220-HP

COMPLIES WITH:

- For optimum performance of this product, we recommend a system pressure between 20 and 80 PSI static. This product will operate up to a maximum of 125 PSI static per ANSI and CSA requirements. However, we do not recommend pressures above 80 PSI. Thermal expansion or leaking pressure reducing valves may require use of expansion tanks or relief valves to ensure your system never exceeds its maximum intended pressure setting.
- CSA certified.
- Complies to ASME A112.18.1
- IAPMO listed
- ADA compliant and meets Handicapped Accessibility Standard ASME A117.1
- U.S. Patent # 6, 826, 455
- (Contact Delta Representative for State and/or Local Approvals)



NOTES:

For Additional Hi Rise Electronic Faucet models, see Electronic - Delta HDF

SPECIFICATION:

- CAST one piece Synergy® body with Integral waterproof sensor and connector
- H²Optics™ technology- no external adjustments required
- Serviceable filter upstream of the solenoid valve
- Metal hold-down package
- Adjustable sensing range and timeout
- BATTERY OPERATED (4 'C' cell, except when -HP selected) infrared electronic handwash
- Audible low battery indicator
- Chrome Finish
- Spout#: 2 - 4" (102mm) Cast Electronic Faucet
- Outlet#: 2 - Vandal Resistant 1.5 USGPM (5.7 L/Min) Laminar w/ Antimicrobial by AgION™
- Hydro Power™
- Solenoid and Controller in Plastic Surface Mount Housing-NO MIXING VALVE SUPPLIED

OPERATION:

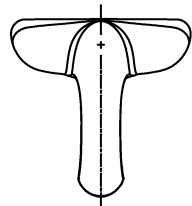
- Hands free (touchless) operation
- Water flows when sensor is activated
- Water flow stops upon deactivation of sensor
- Auto shut-off feature that is selectable between 15 to 75 seconds- factory set to 45 seconds- will reset once obstruction is removed
- Adjustable sensing distance from 76 to 381 mm (3" to 15")- factory set to 229 mm (9" plus or minus 1")
- Low battery audible beep- will activate after faucet shuts off when approximately 1500 cycles remain.

(Dimensional drawing on following page)

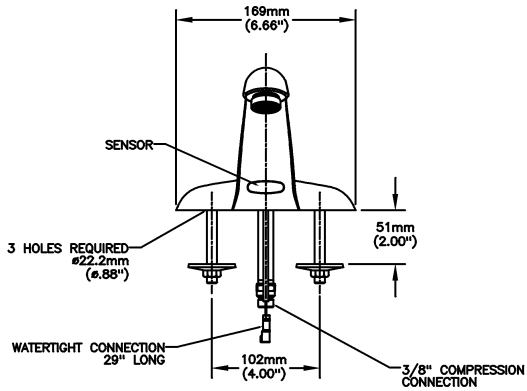
Delta reserves the right (1) to make changes to specifications and materials, and (2) to change or discontinue models, both without notice or obligation. Dimensions are for reference. Measurement may vary plus or minus 6mm(0.25"). Mounting locations are suggested only. Check with local codes for requirements in your area.

Delta Faucet Company - 55 East 111th St. - Indianapolis, Indiana, USA 46280 - (317) 848-1812
Delta Faucet Canada - 395 Matheson Blvd E - Mississauga, Ontario, Canada L4Z 2H2 - (905) 712-3030

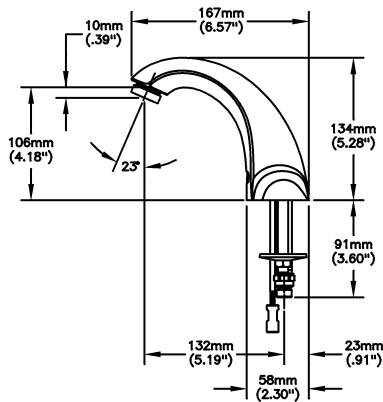
Model No: 591T1220-HP



TOP VIEW

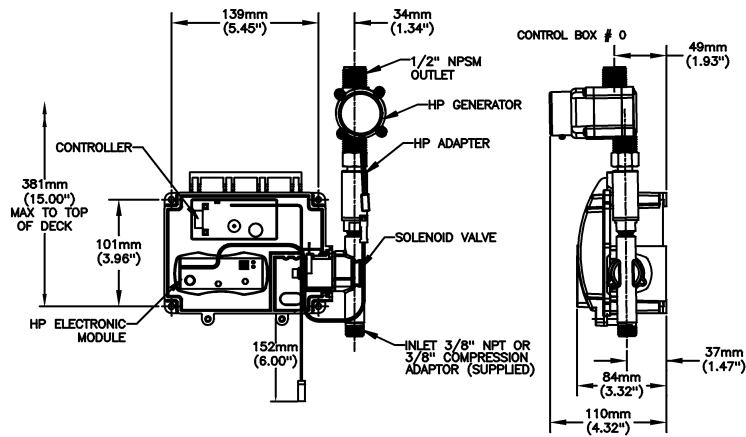


FRONT VIEW



SIDE VIEW

NOTE:
1. ALL DIMENSIONS ARE IN MM.
2. DIMENSION INSIDE Ø ARE IN INCHES.



WATER CONNECTION TO SPOUT IS BY FACTORY SUPPLIED 508mm (20.00 inch) LONG ENGINEERED POLYMER HOSE

Delta reserves the right (1) to make changes to specifications and materials, and (2) to change or discontinue models, both without notice or obligation. Dimensions are for reference. Measurement may vary plus or minus 6mm(0.25"). Mounting locations are suggested only. Check with local codes for requirements in your area.