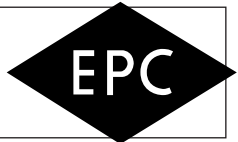


Wrot & Cast Pressure Fittings

Couplings & Unions



NOTE: SUBMITTAL HAS BEEN CROPPED FOR PAPERWORK REDUCTION. *** ANY ADDITIONAL INFORMATION SUPPLIED ON REQUEST.

WROT 101-R		Coupling With Stop-cont.			CAST 4701-R	
Copper to Copper						
Nominal Size In Inches	Part Number	Box Quantity	Master Pack	Approx. Net Wt.	Dim. A	
3/4 x 1/2	30716	50	500	0.061	3/16	
3/4 x 3/8	30718	25	500	0.054	21/64	
3/4 x 1/4	30720	25	500	0.053	7/16	
1 x 3/4	30734	25	250	0.098	13/32	
1 x 5/8	30736	25	250	0.102	3/8	
1 x 1/2	30738	25	250	0.104	7/16	
1 x 3/8	30740	25	250	0.098	1/2	
1 1/4 x 1	30748	10	100	0.152	5/16	
1 1/4 x 3/4	30752	10	100	0.134	15/32	
1 1/4 x 1/2	30756	10	100	0.176	41/64	
1 1/2 x 1 1/4	30766	10	100	0.220	11/32	
1 1/2 x 1	30768	10	100	0.220	7/16	
1 1/2 x 3/4	30772	10	100	0.218	21/32	
1 1/2 x 1/2	30776	10	100	0.219	25/32	
2 x 1 1/2	30784	10	100	0.366	13/32	
2 x 1 1/4	30786	10	100	0.393	21/32	
2 x 1	30788	10	100	0.383	25/32	
2 x 3/4	30790	10	100	0.408	1	
2 x 1/2	30792	10	100	0.420	1 1/8	
2 1/2 x 2	30800	5	50	0.639	15/32	
2 1/2 x 1 1/2	30802	5	50	0.666	7/8	
2 1/2 x 1 1/4	30804	5	50	0.664	15/16	
2 1/2 x 1	30806	5	50	0.691	1 1/8	
3 x 2 1/2	30816	2	20	0.946	1/2	
3 x 2	30818	2	20	0.991	13/16	
3 x 1 1/2	30820	2	20	1.106	1 5/32	
** 3 x 1 1/4	34710	-	40	1.345	-	
** 3 x 1	34712	-	25	1.352	-	
3 1/2 x 3	30832	1	16	1.426	1/2	
4 x 3 1/2	30840	2	32	1.960	17/32	
4 x 3	30842	2	32	1.940	7/8	
4 x 2 1/2	30844	2	32	2.029	1 1/8	
4 x 2	30846	2	32	2.192	1 1/2	
5 x 4	30850	1	6	3.310	25/32	
5 x 3	30852	1	6	3.199	1 3/16	
5 x 2 1/2	30854	1	6	3.115	1 7/16	
5 x 2	30856	1	6	2.932	1 11/16	
6 x 5	30860	1	6	4.762	1/2	
6 x 4	30862	1	6	4.689	1 3/16	
6 x 3	30864	1	6	4.749	1 11/16	
6 x 2 1/2	30866	1	6	4.665	2 1/16	
6 x 2	30868	1	6	4.780	2 3/16	
8 x 6	30872	1	1	10.957	1 1/8	
8 x 5	30873	1	1	11.546	1 5/8	
8 x 4	30874	1	1	11.696	2 1/4	
8 x 3	30876	1	1	12.800	2 11/16	
8 x 2 1/2	30878	1	1	13.770	3 1/16	
8 x 2	30880	1	1	14.163	3	

WROT 110		Eccentric Coupling			CAST	
Copper to Copper						
				C x C		
Nominal Size In Inches	Part Number	Box Quantity	Master Pack	Approx. Net Wt.	Dim. A	
3/4 x 1/2	31042	25	250	0.060	3/8	
1 x 3/4	31044	10	100	0.114	13/32	
1 1/4 x 1	31046	10	100	0.162	1/2	
1 1/4 x 3/4	31048	10	100	0.190	3/4	

WROT 102		Union			CAST 4733	
Copper to Copper						
				C x C		
Nominal Size In Inches	Part Number	Box Quantity	Master Pack	Approx. Net Wt.	Dim. A	
1/4	33576	25	500	0.114	13/32	
3/8	33578	25	250	0.131	27/64	
**3/8	37933	50	500	0.147	-	
1/2	33580	25	250	0.113	1/2	
**1/2	37934	25	250	0.216	-	
**5/8	37936	25	250	0.308	-	
3/4	33582	20	200	0.261	21/32	
**3/4	37937	25	150	0.313	-	
1	33584	10	100	0.557	7/16	
1 1/4	33585	5	50	0.698	7/16	
1 1/2	33586	5	50	0.878	29/64	
2	33587	2	20	1.499	15/32	
**2 1/2	37947	-	10	3.250	-	
**3	37948	-	5	4.750	-	

** Cast Bronze Only

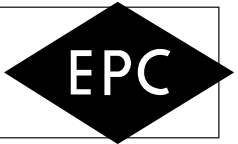
* Factory Option - consult factory for price and delivery information.

WROT 103	Female Adapter Copper to Female N.P.T.		CAST 4703		
C x F					
Nominal Size In Inches	Part Number	Box Quantity	Master Pack	Approx. Net Wt.	Dim. A
1/8	30100	50	1000	0.029	7/16
1/4	30110	50	1000	0.031	15/32
3/8	30120	50	500	0.053	19/32
1/2	30130	50	500	0.093	7/8
3/4	30150	25	250	0.143	23/32
1	30160	20	200	0.226	31/32
1 1/4	30170	10	100	0.369	1 3/32
1 1/2	30180	10	100	0.404	1 5/32
2	30190	5	50	0.667	1 1/4
2 1/2	30200	2	20	1.228	1 1/2
** 3	34252	-	12	2.400	-
** 4	34258	-	12	3.820	-
** 5	34259	-	6	8.250	-
** 6	34263	-	4	12.000	-
1/8 x 1/4	30106	50	1000	0.033	1/2
1/4 x 1/2	30112	50	500	0.078	25/32
1/4 x 3/8	30114	50	1000	0.043	21/32
1/4 x 1/8	30116	50	1000	0.024	11/32
3/8 x 3/4	30122	25	250	0.121	3/4
3/8 x 1/2	30124	50	500	0.082	7/8
3/8 x 1/4	30126	50	1000	0.041	15/32
** 1/2 x 1	34212	25	150	0.300	-
1/2 x 3/4	30134	25	250	0.121	29/32
1/2 x 3/8	30136	50	500	0.046	9/16
1/2 x 1/4	30138	50	500	0.044	15/32
5/8 x 3/4	30142	25	250	0.143	1
5/8 x 1/2	30144	25	250	0.102	3/4
** 3/4 x 1 1/4	34218	10	50	0.515	-
3/4 x 1	30154	20	200	0.218	1 7/32
3/4 x 1/2	30156	25	250	0.085	19/32
** 3/4 x 3/8	34222	25	250	0.170	-
** 1 x 1 1/2	34224	10	40	0.720	-
1 x 1 1/4	30164	10	100	0.299	1 7/32
1 x 3/4	30166	25	250	0.159	43/64
1 x 1/2	30168	10	100	0.239	11/16
** 1 1/4 x 2	34229	5	50	0.980	-
1 1/4 x 1 1/2	30172	10	100	0.431	1 19/64
1 1/4 x 1	30174	10	100	0.238	55/64
** 1 1/4 x 3/4	34233	-	100	0.290	-
1 1/2 x 2	30182	5	50	0.678	1 7/16
1 1/2 x 1 1/4	30184	10	100	0.388	7/8
** 1 1/2 x 1	34238	-	60	0.370	-
2 x 1 1/2	30192	5	50	0.730	1 3/16

WROT 103-2	Female Street Adapter Fitting to Female N.P.T.		CAST 4703-2		
FTG. x F					
Nominal Size In Inches	Part Number	Box Quantity	Master Pack	Approx. Net Wt.	Dim. A
1/4	30224	50	1000	0.030	29/32
3/8	30230	50	1000	0.049	1 1/16
1/2	30236	50	500	0.084	1 3/8
3/4	30242	25	250	0.143	1 11/16
1	30248	20	200	0.214	1 31/32
1 1/4	30254	10	100	0.324	2 5/32
1 1/2	30260	10	100	0.437	2 7/16
2	30266	5	50	0.641	2 19/32
** 2 1/2	34297	-	25	1.740	-
** 3	34298	-	20	2.470	-
1/2 x 3/8	30238	50	500	0.062	1 1/8
1/2 x 1/4	30240	50	500	0.041	59/64
** 3/4 x 1/2	34284	25	225	0.147	-
** 1 x 3/4	34287	25	100	0.414	-
*** 1 x 1/2	34288	25	250	0.153	-


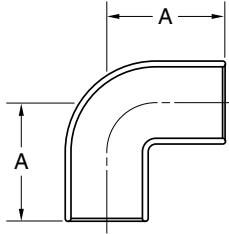
WROT 104	Male Adapter Copper to Male N.P.T.		CAST 4704		
C x M					
Nominal Size In Inches	Part Number	Box Quantity	Master Pack	Approx. Net Wt.	Dim. A
* 1/8	30280	50	1000	0.019	13/32
1/4	30290	50	1000	0.027	15/32
3/8	30300	50	500	0.041	7/8
1/2	30310	50	500	0.064	19/32
3/4	30330	25	250	0.119	13/16
1	30342	20	200	0.170	27/32
1 1/4	30354	10	100	0.317	15/16
1 1/2	30368	10	100	0.462	7/8
2	30378	5	50	0.675	31/32
2 1/2	30388	4	40	1.267	1 21/32
3	30400	2	20	1.520	1 7/32
4	30410	1	16	2.262	1 9/32
** 5	34374	-	5	8.600	-
** 6	34377	-	4	10.730	-
1/8 x 3/8	30282	50	1000	0.040	3/4


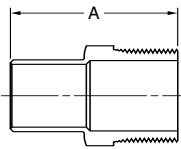
Wrot & Cast Pressure Fittings Adapters & Elbows



WROT 104	Male Adapter-cont. <small>Copper to Male N.P.T.</small>		CAST 4704		
Nominal Size In Inches	Part Number	Box Quantity	Master Pack	Approx. Net Wt.	Dim. A
1/8 x 1/4	30284	50	1000	0.033	7/16
1/4 x 1/2	30292	50	500	0.069	7/8
1/4 x 3/8	30294	50	1000	0.060	63/64
1/4 x 1/8	30296	50	1000	0.014	17/32
3/8 x 3/4	30302	25	250	0.143	1 11/32
3/8 x 1/2	30304	50	500	0.072	15/16
3/8 x 1/4	30306	50	1000	0.039	5/8
1/2 x 1	30314	20	200	0.240	1
1/2 x 3/4	30316	25	250	0.135	13/16
1/2 x 3/8	30318	50	500	0.053	47/64
1/2 x 1/4	30320	50	500	0.059	5/8
5/8 x 3/4	30324	25	250	0.129	1 1/8
5/8 x 1/2	30326	25	500	0.075	11/16
** 3/4 x 1 1/2	34329	5	50	0.596	-
** 3/4 x 1 1/4	34330	-	120	0.375	-
3/4 x 1	30336	20	200	0.234	7/8
3/4 x 1/2	30338	25	250	0.106	53/64
1 x 1 1/2	30344	10	100	0.544	1 29/32
1 x 1 1/4	30346	10	100	0.399	1 21/32
1 x 3/4	30348	25	250	0.206	1 3/32
1 x 1/2	30350	25	250	0.176	31/32
** 1 1/4 x 2	34345	-	40	0.880	-
1 1/4 x 1 1/2	30358	10	100	0.523	1 45/64
1 1/4 x 1	30360	10	100	0.304	1 1/4
1 1/4 x 3/4	30362	10	100	0.273	1
1 1/2 x 2	30370	5	50	0.772	1 25/32
1 1/2 x 1 1/4	30372	10	100	0.386	1 27/64
1 1/2 x 1	30374	10	100	0.435	1 9/64
** 2 x 2 1/2	34357	-	25	1.565	-
2 x 1 1/2	30380	5	50	0.650	1 23/64
2 x 1 1/4	30382	5	50	0.631	1 3/4
2 1/2 x 2	30390	5	50	0.931	1 9/64

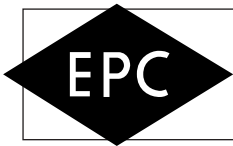
WROT 104-2	Male Street Adapter-cont. <small>Fitting to Male N.P.T.</small>		CAST 4704-2		
Nominal Size In Inches	Part Number	Box Quantity	Master Pack	Approx. Net Wt.	Dim. A
1	30452	20	200	0.232	2 5/32
1 1/4	30460	10	100	0.444	2 1/2
1 1/2	30470	10	100	0.508	2 13/16
2	30480	5	50	0.749	2 13/16
** 2 1/2	34417	-	25	1.550	-
** 3	34422	-	20	2.280	-
1/2 x 3/4	30438	25	250	0.153	-
1/2 x 3/8	30440	50	500	0.045	-
3/4 x 1/2	30448	25	250	0.093	1 23/32

WROT 105-C	90° Street Elbow-Close Ruff <small>Fitting to Fitting</small>		CAST		
 					
FTG. x FTG.					
Nominal Size In Inches	Part Number	Box Quantity	Master Pack	Approx. Net Wt.	Dim. A
1/8	31450	25	500	0.008	5/8
1/4	31452	25	500	0.013	27/32
3/8	31456	25	500	0.029	15/16
1/2	31460	25	500	0.044	1 1/32
5/8	31464	10	200	0.073	1 1/4
3/4	31468	25	250	0.086	1 13/32
1	31472	10	100	0.166	1 21/32
1 1/4	31476	5	50	0.269	1 29/32


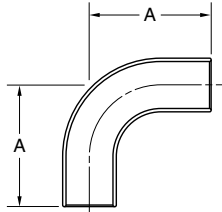
WROT 104-2	Male Street Adapter <small>Fitting to Male N.P.T.</small>		CAST 4704-2		
 					
FTG. x M					
Nominal Size In Inches	Part Number	Box Quantity	Master Pack	Approx. Net Wt.	Dim. A
1/4	30424	50	1000	0.033	1 1/6
3/8	30430	50	1000	0.049	1 3/16
1/2	30436	50	500	0.074	1 7/16
3/4	30444	25	250	0.143	1 27/32


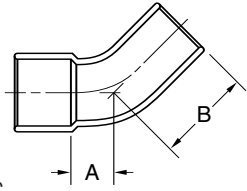
** Cast Bronze Only


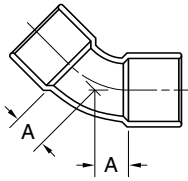
*Factory Option—consult factory for price and delivery information.


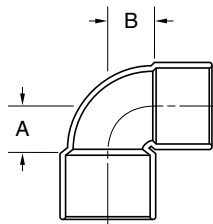


Wrot & Cast Pressure Fittings Elbows

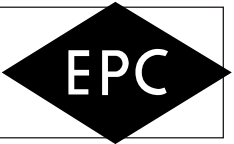
WROT		CAST			
105-L	90° Street Elbow-Long Turn Fitting to Fitting				
					
Nominal Size In Inches	Part Number	Box Quantity	Master Pack	Approx. Net Wt.	Dim. A
3/8	31896	25	500	0.033	1 3/16
1/2	31902	25	250	0.057	1 7/16
3/4	31914	25	250	0.138	2
1	31926	10	100	0.251	2 15/32
1 1/4	31932	5	50	0.381	2 29/32
1 1/2	31938	5	50	0.563	3 5/16
2	31944	5	40	1.156	4 3/8


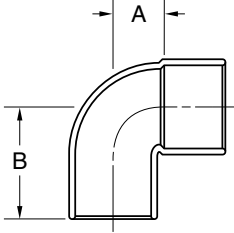
WROT		CAST				
106-2	45° Street Elbow Fitting to Copper					
						
Nominal Size In Inches	Part Number	Box Quantity	Master Pack	Approx. Net Wt.	Dim. A	Dim. B
1/4	31186	50	1000	0.013	15/64	41/64
3/8	31190	50	1000	0.024	9/32	23/32
1/2	31194	100	1000	0.035	5/16	25/32
5/8	31198	25	250	0.059	5/16	1
3/4	31202	50	500	0.076	13/32	1 3/16
1	31206	25	250	0.134	7/16	1 7/16
1 1/4	31212	25	200	0.229	17/32	1 9/16
1 1/2	31216	20	160	0.343	19/32	1 3/4
2	31220	10	80	0.625	11/16	2 3/32
2 1/2	31224	5	40	0.965	29/32	2 7/16
3	31228	3	24	1.470	1	2 11/16
*3 1/2	31232	1	16	2.100	1 5/32	3
4	31236	1	8	3.340	1 9/32	3 1/2

WROT		CAST			
106	45° Elbow Copper to Copper				
					
Nominal Size In Inches	Part Number	Box Quantity	Master Pack	Approx. Net Wt.	Dim. A
1/8	31082	50	1000	0.006	1/8
1/4	31086	50	1000	0.013	15/64
3/8	31090	50	1000	0.024	1/4
1/2	31096	100	1000	0.034	17/64
5/8	31102	25	250	0.056	5/16
3/4	31106	50	500	0.076	3/8
1	31120	25	250	0.137	13/32
1 1/4	31128	25	200	0.229	33/64
1 1/2	31134	20	160	0.343	19/32
2	31140	10	80	0.625	25/32
2 1/2	31148	5	40	0.970	7/8
3	31156	3	24	1.460	63/64
3 1/2	31162	1	16	2.180	1 5/32
4	31168	1	8	3.800	1 11/64
5	31170	1	6	6.564	1 13/32
6	31172	1	1	11.200	1 11/16
8	31174	1	1	27.900	2 1/4


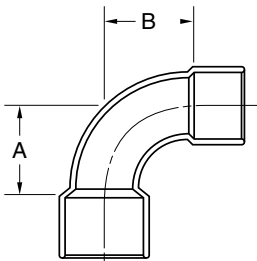
WROT		CAST				
107-C	90° Elbow-Close Ruff Copper to Copper					
						
Nominal Size In Inches	Part Number	Box Quantity	Master Pack	Approx. Net Wt.	Dim. A	Dim. B
1/8	31260	50	1000	0.008	3/8	3/8
1/4	31262	50	1000	0.012	3/8	3/8
3/8	31266	50	1000	0.026	13/32	13/32
1/2	31272	100	1000	0.044	25/64	25/64
5/8	31280	25	250	0.069	17/32	17/32
3/4	31288	50	500	0.096	9/16	9/16
1	31296	20	200	0.208	47/64	47/64
1 1/4	31306	25	200	0.259	15/16	15/16
1 1/2	31314	20	120	0.371	1 11/64	1 11/64
2	31322	10	80	0.805	1 29/64	1 29/64
2 1/2	31330	5	40	1.180	1 21/32	1 21/32
3	31338	3	24	1.920	1 61/64	1 61/64
3 1/2	31346	1	8	2.728	2 7/32	2 7/32
4	31352	1	8	4.557	2 17/32	2 17/32
5	31360	1	1	8.586	3 1/8	3 1/8
6	31368	1	1	15.200	3 13/16	3 13/16
8	31371	1	1	37.000	5 1/8	5 1/8


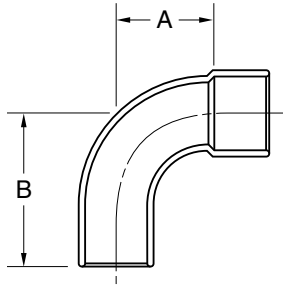
Wrot & Cast Pressure Fittings Elbows



WROT		CAST				
107-C-2		90° Street Elbow -Close Ruff				
Fitting to Copper						
						
FTG. x C						
Nominal Size In Inches	Part Number	Box Quantity	Master Pack	Approx. Net Wt.	Dim. A	Dim. B
1/8	31390	50	1000	0.006	3/8	49/64
1/4	31392	50	1000	0.012	3/8	3/4
3/8	31396	50	1000	0.027	13/32	15/16
1/2	31400	100	1000	0.042	29/64	1 1/32
5/8	31404	25	250	0.061	17/32	1 7/32
3/4	31408	50	500	0.103	19/32	1 13/32
1	31412	20	200	0.195	21/32	1 21/32
1 1/4	31416	25	200	0.259	7/8	1 29/32
1 1/2	31420	20	120	0.392	1 11/64	2 3/8
2	31424	10	80	0.805	1 29/64	2 27/32
2 1/2	31428	5	40	1.187	1 3/4	3 21/64
3	31432	3	24	1.960	2	3 25/32
3 1/2	31436	1	8	2.798	2 15/64	4 15/64
4	31440	1	8	4.460	2 19/32	4 13/16


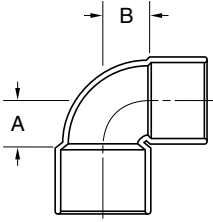
WROT		CAST				
107-L		90° Elbow-Long Turn-cont.				
Copper to Copper						
Nominal Size In Inches	Part Number	Box Quantity	Master Pack	Approx. Net Wt.	Dim. A	Dim. B
1/2	31676	50	500	0.055	55/64	55/64
5/8	31684	25	250	0.087	1 1/16	1 1/16
3/4	31692	25	250	0.123	1 5/32	1 5/32
7/8	31702	10	100	0.210	1 15/32	1 15/32
1	31708	10	100	0.270	1 29/64	1 29/64
1 1/4	31720	10	80	0.381	1 7/8	1 7/8
1 1/2	31730	10	80	0.563	2 3/16	2 3/16
2	31740	5	30	1.156	3	3
2 1/2	31750	1	10	1.980	3 3/16	3 3/16
3	31756	1	8	3.320	4 5/8	4 5/8
3 1/2	31762	1	1	4.850	5 1/4	5 1/4
4	31770	1	1	7.400	5 7/8	5 7/8


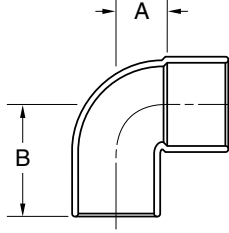
WROT		CAST				
107-L		90° Elbow-Long Turn				
Copper to Copper						
						
C x C						
Nominal Size In Inches	Part Number	Box Quantity	Master Pack	Approx. Net Wt.	Dim. A	Dim. B
3/16 OD	31662	50	1000	0.007	5/16	5/16
5/16 OD	31666	50	1000	0.013	9/16	9/16
1/8	31664	50	1000	0.083	1/2	1/2
1/4	31668	50	1000	0.019	3/4	3/4
3/8	31672	50	500	0.033	23/32	23/32


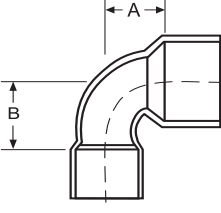
WROT		CAST				
107-L-2		90° Street Elbow-Long Turn				
Fitting to Copper						
						
FTG. x C						
Nominal Size In Inches	Part Number	Box Quantity	Master Pack	Approx. Net Wt.	Dim. A	Dim. B
1/8	31790	50	1000	0.008	1/2	7/8
1/4	31792	50	1000	0.019	23/64	1 1/16
3/8	31796	50	500	0.032	23/32	1 7/32
1/2	31802	50	500	0.055	55/64	1 7/16
5/8	31810	25	250	0.087	1 1/16	1 27/32
3/4	31816	25	250	0.139	1 1/8	2 1/16
1	31830	10	100	0.269	1 13/32	2 9/16
1 1/4	31838	10	80	0.381	1 7/8	2 29/32
1 1/2	31844	10	80	0.563	2 3/16	3 5/16
2	31850	5	30	1.156	2 31/32	4 3/8
2 1/2	31856	1	10	1.963	3 3/16	4 23/32
3	31862	1	8	3.300	4 5/8	6 11/32
3 1/2	31868	1	8	3.850	4	5 31/32
4	31874	1	1	5.890	4 29/64	6 23/32


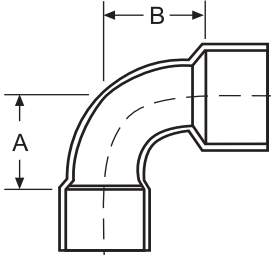
** Cast Bronze Only

*Factory Option—consult factory for price and delivery information.

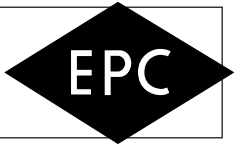
WROT		90° Elbow-Medium Turn			CAST	
107-MT		Copper to Copper				
						
Nominal Size In Inches	Part Number	Box Quantity	Master Pack	Approx. Net Wt.	Dim. A	Dim. B
1/8	31510	50	1000	0.010	3/8	3/8
1/4	31512	50	1000	0.016	3/8	3/8
3/8	31516	50	1000	0.043	1/2	1/2
1/2	31522	50	500	0.068	19/32	19/32
5/8	31530	25	250	0.109	7/8	7/8
3/4	31536	25	250	0.141	13/16	13/16
1	31542	10	100	0.252	1	1


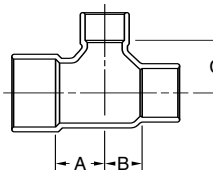
WROT		90° Street Elbow -Medium Turn			CAST	
107-MT-2		Fitting to Copper				
						
Nominal Size In Inches	Part Number	Box Quantity	Master Pack	Approx. Net Wt.	Dim. A	Dim. B
1/8	31560	50	1000	0.010	3/8	3/4
1/4	31562	50	1000	0.017	3/8	3/4
3/8	31566	50	1000	0.044	1/2	15/16
1/2	31572	50	500	0.066	19/32	1 3/16
5/8	31578	25	250	0.104	7/8	1 1/2
3/4	31584	25	250	0.146	13/16	1 5/8
1	31590	10	100	0.271	1 1/16	2 1/32

WROT		90° Reducer Elbow-Close Ruff			CAST	
107-CR		Copper to Copper			4707	
						
Nominal Size In Inches	Part Number	Box Quantity	Master Pack	Approx. Net Wt.	Dim. A	Dim. B
3/8 x 1/4	31268	50	1000	0.027	5/8	39/64
1/2 x 3/8	31274	50	500	0.041	43/64	5/8
1/2 x 1/4	31276	50	500	0.034	11/16	43/64
5/8 x 1/2	31282	25	250	0.077	31/32	7/8
3/4 x 1/2	31290	50	500	0.085	5/8	15/32
1 x 3/4	31298	25	250	0.146	3/4	19/32
1 x 1/2	31300	25	250	0.129	1 1/8	7/8
1 1/4 x 1	31308	10	100	0.229	7/8	11/16
** 1 1/4 x 3/4	35212	15	90	0.338	-	-
** 1 1/4 x 1/2	35214	20	120	0.280	-	-
** 1 1/2 x 1 1/4	31316	10	100	0.338	1 9/64	55/64
** 1 1/2 x 1	35218	-	60	0.540	-	-
** 1 1/2 x 3/4	35220	-	72	0.455	-	-
** 1 1/2 x 1/2	35222	12	72	0.380	-	-
2 x 1 1/2	31324	5	40	0.602	1 1/2	1 13/64
** 2 x 1 1/4	35226	-	25	0.880	-	-
** 2 x 1	35228	-	30	0.780	-	-
** 2 x 3/4	35229	-	30	0.660	-	-
2 1/2 x 2	31332	5	40	1.128	1 7/8	1 1/2
3 x 2 1/2	31340	3	24	1.598	2 3/32	1 3/4
** 3 x 2	35242	-	20	2.753	-	-
4 x 3	31354	1	8	3.313	2 11/16	2
* 5 x 4	31362	1	6	6.542	3 13/32	2 17/32
* 6 x 4	31370	1	6	8.091	3 7/8	2 17/32

WROT		90° Reducer Elbow			CAST	
107-R		Copper to Copper				
						
Nominal Size In Inches	Part Number	Box Quantity	Master Pack	Approx. Net Wt.	Dim. A	Dim. B
3/8 x 1/4	31674	50	1000	0.027	39/64	5/8
1/2 x 3/8	31678	50	500	0.042	5/8	43/64
5/8 x 1/2	31686	25	250	0.077	7/8	31/32
3/4 x 3/8	31698	50	500	0.073	11/16	27/32
3/4 x 1/2	31696	50	500	0.086	7/8	7/8
3/4 x 5/8	31694	25	250	0.113	1 1/16	1 5/32
1 x 3/4	31710	25	250	0.170	1 9/64	1 1/4
1 1/2 x 1	31734	5	50	0.350	1 13/32	1 11/16
1 1/2 x 1 1/4	31732	5	50	0.480	2	2 1/4
2 x 1 1/2	31742	5	40	0.754	2 3/16	2 5/16

Wrot & Cast Pressure Fittings Tees



WROT 111	Tee			CAST 4711			
	Copper to Copper to Copper						
							
C x C x C							
Nominal Size In Inches	Part Number	Box Quantity	Master Pack	Approx. Net Wt.	Dim. A	Dim. B	Dim. C
1/8	32606	50	1000	0.016	13/64	13/64	7/32
3/16 OD	32602	50	1000	0.009	3/16	3/16	3/16
5/16 OD	32622	50	1000	0.020	7/32	7/32	9/32
1/4	32640	50	1000	0.028	17/64	17/64	1/4
3/8	32668	50	500	0.045	5/16	5/16	3/8
1/2	32700	50	500	0.059	21/64	21/64	11/32
5/8	32732	25	250	0.110	7/16	7/16	1/2
3/4	32768	25	250	0.144	1/2	1/2	17/32
1	32818	10	100	0.239	41/64	41/64	19/32
1 1/4	32866	5	50	0.397	41/64	41/64	41/64
1 1/2	32910	5	50	0.540	13/16	13/16	13/16
2	32970	5	40	1.082	1 1/16	1 1/16	1 15/64
2 1/2	33030	1	10	1.967	1 21/32	1 21/32	1 11/16
3	33124	1	10	2.632	1 7/8	1 7/8	1 11/16
3 1/2	33250	1	8	4.167	2 5/32	2 5/32	2 1/4
4	33258	1	8	5.210	2 13/32	2 13/32	2 9/16
* 5	33400	1	1	7.998	2 37/64	2 37/64	2 29/32
* 6	33420	1	1	12.613	3 1/8	3 1/8	3 11/16
* 8	33454	1	1	32.086	4 1/16	4 1/16	4 3/4
1/4 x 1/4 x 1/8 OD	32614	50	1000	0.016	5/16	5/16	7/32
1/4 x 1/4 x 1/4 OD	33492	50	1000	0.016	13/64	13/64	7/32
1/4 x 1/4 x 5/16 OD	32608	50	1000	0.020	17/64	17/64	9/32
5/16 x 5/16 x 1/4 OD	32626	50	1000	0.020	7/32	7/32	11/32
5/16 x 1/4 x 5/16 OD	32628	50	1000	0.020	7/32	11/32	9/32
5/16 x 1/4 x 1/4 OD	32630	50	1000	0.020	7/32	11/32	11/32
* 3/8 x 3/8 x 3/16 OD	32650	50	1000	0.028	17/64	17/64	7/16
3/8 x 1/4 x 5/16 OD	32658	50	1000	0.028	17/64	13/32	11/32
1/8 x 1/8 x 1/4	32610	50	1000	0.028	13/32	13/32	1/4
1/4 x 1/4 x 1/2	32642	50	500	0.063	21/32	21/32	11/32
1/4 x 1/4 x 3/8	32644	50	500	0.045	15/32	15/32	3/8
1/4 x 1/4 x 1/8	32648	50	1000	0.028	17/64	17/64	13/32
1/4 x 1/8 x 1/4	32656	50	1000	0.028	17/64	13/32	1/4
1/4 x 1/8 x 1/8	32664	50	1000	0.028	17/64	13/32	13/32
3/8 x 3/8 x 1/2	32672	50	500	0.063	17/32	17/32	11/32
3/8 x 3/8 x 1/4	32674	50	500	0.045	5/16	5/16	15/32
3/8 x 3/8 x 1/8	32678	50	500	0.045	5/16	5/16	39/64
3/8 x 1/4 x 3/8	32684	50	500	0.045	5/16	15/32	3/8
3/8 x 1/4 x 1/4	32686	50	500	0.045	5/16	15/32	15/32
* 3/8 x 1/4 x 1/8	32688	50	500	0.045	5/16	15/32	5/8
3/8 x 1/8 x 3/8	32694	50	500	0.045	5/16	9/16	3/8
1/2 x 1/2 x 1	32702	10	100	0.290	15/16	15/16	3/4
1/2 x 1/2 x 3/4	32704	25	250	0.118	33/64	33/64	15/32
1/2 x 1/2 x 5/8	32706	50	500	0.110	21/32	21/32	1/2
1/2 x 1/2 x 3/8	32708	50	500	0.064	5/16	5/16	13/32
1/2 x 1/2 x 1/4	32710	50	500	0.064	9/32	9/32	13/32
1/2 x 1/2 x 1/8	32712	50	500	0.064	9/32	9/32	1/2

WROT 111	Tee-cont.			CAST 4711			
	Copper to Copper to Copper						
Nominal Size In Inches	Part Number	Box Quantity	Master Pack	Approx. Net Wt.	Dim. A	Dim. B	Dim. C
1/2 x 3/8 x 1/2	32716	50	500	0.063	3/8	17/32	11/32
1/2 x 3/8 x 3/8	32718	50	500	0.064	5/16	1/2	13/32
1/2 x 1/4 x 1/2	32724	50	500	0.063	3/8	21/32	11/32
1/2 x 1/4 x 1/4	32728	50	500	0.064	9/32	5/8	13/32
5/8 x 5/8 x 3/4	32736	25	250	0.170	11/16	11/16	17/32
5/8 x 5/8 x 1/2	32738	25	250	0.107	27/64	27/64	1/2
5/8 x 5/8 x 3/8	32740	25	250	0.107	27/64	27/64	21/32
5/8 x 5/8 x 1/4	32742	25	250	0.107	27/64	27/64	23/32
5/8 x 1/2 x 1/2	32748	25	250	0.107	27/64	5/8	1/2
3/4 x 3/4 x 1	32770	10	100	0.202	3/4	3/4	17/32
* 3/4 x 3/4 x 5/8	32772	25	250	0.153	1/2	1/2	3/4
3/4 x 3/4 x 1/2	32774	25	250	0.112	25/64	25/64	19/32
3/4 x 3/4 x 3/8	32776	25	250	0.130	25/64	25/64	11/16
3/4 x 3/4 x 1/4	32778	25	250	0.135	25/64	25/64	3/4
* 3/4 x 5/8 x 5/8	32786	25	250	0.150	1/2	11/16	3/4
3/4 x 1/2 x 3/4	32790	25	250	0.144	1/2	25/32	17/32
3/4 x 1/2 x 1/2	32794	25	250	0.109	25/64	5/8	19/32
* 3/4 x 1/2 x 3/8	32796	25	250	0.137	25/64	5/8	11/16
3/4 x 1/2 x 1/4	32798	25	250	0.140	25/64	5/8	3/4
* 3/4 x 3/8 x 3/4	32802	25	250	0.159	1/2	29/32	17/32
* 3/4 x 3/8 x 3/8	32806	25	250	0.132	25/64	23/32	11/16
1 x 1 x 1 1/2	32820	5	50	0.680	1 1/4	1 1/4	1 5/32
1 x 1 x 1 1/4	32822	5	50	0.405	1 5/32	1 5/32	31/32
1 x 1 x 3/4	32824	10	100	0.220	1/2	1/2	5/8
* 1 x 1 x 5/8	32826	10	100	0.319	1/2	1/2	15/16
1 x 1 x 1/2	32828	10	100	0.183	23/64	23/64	11/16
1 x 1 x 3/8	32830	10	100	0.183	23/64	23/64	13/16
1 x 3/4 x 1	32836	10	100	0.290	21/32	53/64	21/32
1 x 3/4 x 3/4	32838	10	100	0.220	1/2	11/16	5/8
1 x 3/4 x 1/2	32842	10	100	0.183	23/64	9/16	11/16
* 1 x 3/4 x 3/8	32844	10	100	0.270	23/64	9/16	13/16
1 x 1/2 x 1	32856	10	100	0.290	21/32	5/64	21/32
1 x 1/2 x 3/4	32858	10	100	0.220	1/2	15/16	5/8
1 x 1/2 x 1/2	32860	10	100	0.185	23/64	13/16	11/16
1 1/4 x 1 1/4 x 2	32868	5	40	1.352	1 3/4	1 3/4	1 3/8
1 1/4 x 1 1/4 x 1 1/2	32870	5	50	0.680	1 3/16	1 3/16	1 5/32
1 1/4 x 1 1/4 x 1	32872	5	50	0.348	17/32	17/32	25/32
1 1/4 x 1 1/4 x 3/4	32874	5	50	0.314	7/16	7/16	3/4
1 1/4 x 1 1/4 x 1/2	32876	5	50	0.259	19/64	19/64	11/16
1 1/4 x 1 x 1 1/4	32882	5	50	0.405	7/8	7/8	25/32
1 1/4 x 1 x 1	32884	5	50	0.391	3/4	3/4	25/32
1 1/4 x 1 x 3/4	32886	5	50	0.297	5/8	5/8	25/32
1 1/4 x 1 x 1/2	32888	5	50	0.267	1/2	1/2	25/32
1 1/4 x 3/4 x 1 1/4	32894	5	50	0.405	7/8	7/8	25/32
1 1/4 x 3/4 x 1	32896	5	50	0.391	3/4	3/4	25/32
1 1/4 x 3/4 x 3/4	32898	5	50	0.297	5/8	5/8	25/32
1 1/4 x 3/4 x 1/2	32900	5	50	0.267	1/2	1/2	25/32
1 1/4 x 1/2 x 1 1/4	32904	5	50	0.405	7/8	7/8	25/32
** 1 1/4 x 1/2 x 1	36780	12	72	0.470	-	-	-
** 1 1/2 x 1/2 x 1/2	36783	5	50	0.500	-	-	-
1 1/2 x 1 1/2 x 2	32912	5	50	1.352	1 37/64	1 37/64	1 3/8
1 1/2 x 1 1/2 x 1 1/4	32914	5	50	0.457	11/16	11/16	13/16
1 1/2 x 1 1/2 x 1	32916	5	50	0.376	9/16	9/16	13/16
1 1/2 x 1 1/2 x 3/4	32918	5	50	0.332	7/16	7/16	13/16
1 1/2 x 1 1/2 x 1/2	32920	5	50	0.296	21/64	21/64	29/32
1 1/2 x 1 1/4 x 1 1/2	32924	5	50	0.680	1 7/32	1 3/16	1 7/32

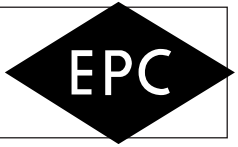
** Cast Bronze Only

*Factory Option—consult factory for price and delivery information.

WROT 111		Tee-cont. Copper to Copper to Copper					CAST 4711	
Nominal Size In Inches	Part Number	Box Quantity	Master Pack	Approx. Net Wt.	Dim. A	Dim. B	Dim. C	
1 1/2 x 1 1/4 x 1 1/4	32926	5	50	0.661	31/32	1 3/16	1 1/16	
1 1/2 x 1 1/4 x 1	32928	5	50	0.591	27/32	1 3/16	1 1/16	
1 1/2 x 1 1/4 x 3/4	32930	5	50	0.583	11/16	7/8	31/32	
1 1/2 x 1 1/4 x 1/2	32932	5	50	0.460	9/16	13/16	31/32	
1 1/2 x 1 x 1 1/2	32936	5	50	0.680	1 5/32	1 1/4	1 5/32	
1 1/2 x 1 x 1 1/4	32938	5	50	0.661	31/32	1 5/16	1 1/16	
1 1/2 x 1 x 1	32940	5	50	0.591	27/32	1 1/8	1 1/16	
1 1/2 x 1 x 3/4	32942	5	50	0.583	11/16	1	31/32	
1 1/2 x 1 x 1/2	32944	5	50	0.460	9/16	13/16	31/32	
1 1/2 x 3/4 x 1 1/2	32948	5	50	0.680	1 5/32	1 19/64	1 5/32	
1 1/2 x 3/4 x 1 1/4	32950	5	50	0.661	31/32	1 1/4	1 1/16	
1 1/2 x 3/4 x 1	32952	5	50	0.591	27/32	1 5/16	1 1/16	
1 1/2 x 3/4 x 3/4	32954	5	50	0.583	11/64	1 1/32	31/32	
1 1/2 x 3/4 x 1/2	32956	5	50	0.460	9/16	15/16	31/32	
1 1/2 x 1/2 x 1 1/2	32960	5	50	0.680	1 5/32	1 31/64	1 5/32	
** 1 1/2 x 1/2 x 1 1/4	36814	5	50	0.750	-	-	-	
** 2 x 2 x 3	36825	-	8	3.110	-	-	-	
2 x 2 x 2 1/2	32972	1	10	1.961	2	2	1 11/16	
2 x 2 x 1 1/2	32974	5	40	0.893	3/4	3/4	1 3/32	
2 x 2 x 1 1/4	32976	5	40	0.742	11/16	11/16	1 1/8	
2 x 2 x 1	32978	5	40	0.673	1/2	1/2	1 3/32	
2 x 2 x 3/4	32980	5	40	0.624	7/16	7/16	1 5/32	
2 x 2 x 1/2	32982	5	40	0.551	5/16	5/16	1 1/8	
2 x 1 1/2 x 2	32984	5	40	1.352	1 3/8	1 37/64	1 3/8	
2 x 1 1/2 x 1 1/2	32986	5	40	1.097	1 1/32	1 19/64	1 11/32	
2 x 1 1/2 x 1 1/4	32988	5	40	1.013	31/32	1 3/16	1 3/8	
2 x 1 1/2 x 1	32990	5	40	1.023	13/16	1 1/16	1 5/16	
2 x 1 1/2 x 3/4	32992	5	40	0.960	11/16	1 1/16	1 1/4	
2 x 1 1/2 x 1/2	32994	5	40	0.850	5/8	15/16	1 1/4	
2 x 1 1/4 x 2	32998	5	40	1.352	1 3/8	1 25/32	1 3/8	
2 x 1 1/4 x 1 1/2	33000	5	40	1.097	1 1/32	1 3/8	1 11/32	
2 x 1 1/4 x 1 1/4	33002	5	40	1.013	31/32	1 3/16	1 3/8	
2 x 1 1/4 x 1	33004	5	40	1.023	13/16	1 9/32	1 5/16	
2 x 1 1/4 x 3/4	33006	5	40	0.960	11/16	1 5/32	1 1/4	
2 x 1 1/4 x 1/2	33008	5	40	0.850	5/8	1 5/64	1 1/4	
2 x 1 x 2	33012	5	40	1.352	1 3/8	1 25/32	1 3/8	
** 2 x 1 x 1 1/2	36852	-	25	1.150	-	-	-	
2 x 1 x 1	33016	5	40	1.023	27/32	1 9/32	1 11/32	
2 x 3/4 x 2	33020	5	40	1.352	1 3/8	1 3/4	1 3/8	
2 x 3/4 x 3/4	36862	-	50	0.890	-	-	-	
2 x 1/2 x 2	33024	5	40	1.352	1 3/8	1 7/8	1 3/8	
2 1/2 x 2 1/2 x 3	33032	1	10	2.744	2 5/8	2 5/8	1 7/8	
2 1/2 x 2 1/2 x 2	33034	1	10	1.673	1 7/16	1 7/16	1 11/16	
2 1/2 x 2 1/2 x 1 1/2	33036	1	10	1.460	1 3/16	1 3/16	1 19/32	
2 1/2 x 2 1/2 x 1 1/4	33038	1	10	1.341	1	1	1 39/64	
2 1/2 x 2 1/2 x 1	33040	1	10	1.356	7/8	7/8	1 5/8	
2 1/2 x 2 1/2 x 3/4	33042	1	10	1.258	3/4	3/4	1 31/64	
2 1/2 x 2 1/2 x 1/2	33044	1	10	1.081	1/2	1/2	1 1/2	
2 1/2 x 2 x 2 1/2	33046	1	10	1.961	1 21/32	2	1 11/16	
2 1/2 x 2 x 2	33048	1	10	1.673	1 7/16	2 3/64	1 11/16	
2 1/2 x 2 x 1 1/2	33050	1	10	1.460	1 3/16	1 3/4	1 19/32	
2 1/2 x 2 x 1 1/4	33052	1	10	1.341	1	1 11/16	1 39/64	
2 1/2 x 2 x 1	33054	1	10	1.356	7/8	1 9/16	1 5/8	
2 1/2 x 2 x 3/4	33056	1	10	1.258	3/4	1 3/8	1 31/64	
2 1/2 x 2 x 1/2	33058	1	10	1.081	1/2	1 11/32	1 1/2	
2 1/2 x 1 1/2 x 2 1/2	33062	1	10	1.961	1 21/32	2 21/32	1 11/16	
2 1/2 x 1 1/2 x 2	33064	1	10	1.673	1 7/16	2 15/32	1 11/16	

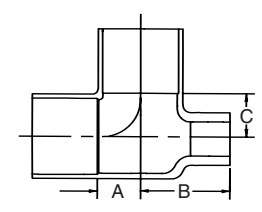
WROT 111		Tee-cont. Copper to Copper to Copper					CAST 4711	
Nominal Size In Inches	Part Number	Box Quantity	Master Pack	Approx. Net Wt.	Dim. A	Dim. B	Dim. C	
2 1/2 x 1 1/2 x 1 1/2	33066	1	10	1.460	1 3/16	2 19/64	1 19/32	
2 1/2 x 1 1/2 x 1 1/4	33068	1	10	1.341	1	2 3/16	1 39/64	
2 1/2 x 1 1/4 x 2 1/2	33076	1	10	1.961	1 21/32	2 31/32	1 11/16	
2 1/2 x 1 1/4 x 2	33078	1	10	1.673	1 7/16	2 45/64	1 11/16	
2 1/2 x 1 x 2 1/2	33092	1	10	1.961	1 21/32	3 7/32	1 11/16	
2 1/2 x 3/4 x 2 1/2	33108	1	10	1.961	1 21/32	3 7/16	1 11/16	
** 2 1/2 x 1/2 x 2 1/2	36916	10	20	2.460	-	-	-	
3 x 3 x 4	33126	1	8	6.396	3 21/32	3 21/32	2 9/16	
3 x 3 x 2 1/2	33128	1	10	2.351	1 11/16	1 11/16	1 31/32	
3 x 3 x 2	33130	1	10	2.270	1 7/16	1 7/16	1 31/32	
3 x 3 x 1 1/2	33132	1	10	2.024	1 3/16	1 3/16	1 29/32	
3 x 3 x 1 1/4	33134	1	10	1.939	31/32	31/32	1 59/64	
3 x 3 x 1	33136	1	10	1.757	7/8	7/8	1 59/64	
3 x 3 x 3/4	33138	1	10	1.691	3/4	3/4	1 13/16	
3 x 3 x 1/2	33140	1	10	1.542	9/16	9/16	1 11/16	
3 x 2 1/2 x 3	33144	1	10	2.744	1 7/8	2 5/8	1 7/8	
3 x 2 1/2 x 2 1/2	33146	1	10	2.351	1 11/16	2 13/32	1 31/32	
3 x 2 1/2 x 2	33148	1	10	2.270	1 7/16	2 1/8	1 31/32	
3 x 2 1/2 x 1 1/2	33150	1	10	2.024	1 3/16	1 7/8	1 29/32	
3 x 2 1/2 x 1 1/4	33152	1	10	1.939	31/32	1 3/4	1 59/64	
3 x 2 1/2 x 1	33154	1	10	1.757	7/8	1 5/8	1 59/64	
3 x 2 1/2 x 3/4	33156	1	10	1.691	3/4	1 17/32	1 13/16	
3 x 2 x 3	33162	1	10	2.744	1 7/8	3 1/16	1 7/8	
3 x 2 x 2 1/2	33164	1	10	2.351	1 11/16	2 23/32	1 31/32	
3 x 2 x 2	33166	1	10	2.270	1 7/16	2 9/16	1 31/32	
3 x 2 x 1 1/2	33168	1	10	2.024	1 3/16	2 5/16	1 29/32	
* 3 x 2 x 1 1/4	33170	1	10	1.939	31/32	2 3/16	1 59/64	
* 3 x 2 x 1	33172	1	10	1.757	7/8	2	1 59/64	
3 x 1 1/2 x 3	33180	1	10	2.744	1 7/8	3 9/16	1 7/8	
* 3 x 1 1/2 x 2 1/2	33182	1	10	2.351	1 11/16	3 5/16	1 31/32	
* 3 x 1 1/2 x 2	33184	1	10	2.270	1 7/16	3 1/8	1 31/32	
3 x 1 1/2 x 1 1/2	33186	1	10	2.024	1 3/16	2 25/32	1 29/32	
* 3 x 1 1/4 x 3	33196	1	10	2.744	1 7/8	3 23/32	1 7/8	
3 x 1 x 3	33214	1	10	2.744	1 7/8	3 29/32	1 7/8	
3 x 3/4 x 3	33232	1	10	2.744	1 7/8	4 1/32	1 7/8	
4 x 4 x 3	33262	1	8	5.714	2 1/32	2 1/32	2 1/2	
4 x 4 x 2 1/2	33264	1	8	5.361	1 25/32	1 25/32	2 19/32	
4 x 4 x 2	33266	1	8	4.880	1 1/2	1 1/2	2 7/16	
4 x 4 x 1 1/2	33268	1	8	4.985	1 3/16	1 3/16	2 9/16	
4 x 4 x 1 1/4	33270	1	8	4.715	1 3/32	1 3/32	2 1/2	
4 x 4 x 1	33272	1	8	4.502	15/16	15/16	2 5/16	
4 x 4 x 3/4	33274	1	16	2.393	13/32	13/32	2 5/16	
4 x 4 x 1/2	33276	1	16	2.296	1/2	1/2	2 5/16	
4 x 3 x 4	33280	1	8	6.396	2 13/32	3 21/32	2 35/64	
4 x 3 x 3	33282	1	8	5.714	2 1/32	3 1/32	2 1/2	
4 x 3 x 2 1/2	33284	1	8	5.361	1 25/32	2 29/32	2 19/32	
4 x 3 x 2	33286	1	8	4.880	1 1/2	2 23/32	2 7/16	
4 x 2 1/2 x 4	33300	1	8	6.396	2 13/32	4 1/16	2 35/64	
4 x 2 1/2 x 2 1/2	33304	1	8	5.361	1 25/32	3 5/16	2 19/32	
4 x 2 x 4	33320	1	8	6.396	2 13/32	4 1/2	2 35/64	
4 x 2 x 2	33326	1	8	4.880	1 1/2	3 17/32	2 7/16	
4 x 1 1/2 x 4	33340	1	8	6.396	2 13/32	4 29/32	2 35/64	
4 x 1 x 4	33380	1	8	6.396	2 13/32	5 9/32	2 25/64	
* 5 x 5 x 4	33404	1	6	6.950	2 7/64	2 7/64	2 15/16	
* 5 x 5 x 3	33406	1	6	5.604	1 9/16	1 9/16	2 15/16	
* 5 x 5 x 2 1/2	33408	1	6	5.511	1 13/32	1 13/32	2 15/16	
* 5 x 5 x 2	33410	1	6	4.824	1 5/64	1 5/64	2 7/8	

Wrot & Cast Pressure Fittings Tees & Plugs



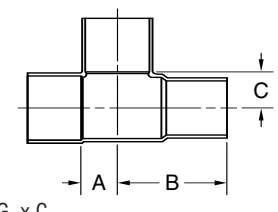
WROT 111		Tee-cont. Copper to Copper to Copper			CAST 4711		
Nominal Size In Inches	Part Number	Box Quantity	Master Pack	Approx. Net Wt.	Dim. A	Dim. B	Dim. C
* 5 x 5 x 1 1/2	33412	1	6	4.479	27/32	27/32	2 7/8
* 5 x 5 x 1 1/4	33414	1	6	4.276	3/4	3/4	2 7/8
* 5 x 5 x 1	33416	1	6	4.050	21/32	21/32	2 7/8
* 5 x 5 x 3/4	33418	1	6	3.841	5/8	5/8	2 7/8
* 5 x 4 x 5	33398	1	1	10.087	2 37/64	4 1/8	29/32
* 5 x 4 x 4	33399	1	1	8.101	2 1/8	3 29/64	2 15/16
* 6 x 6 x 5	33424	1	1	11.580	2 45/64	2 45/64	3 7/16
* 6 x 6 x 4	33426	1	1	10.132	2 13/64	2 13/64	3 7/16
* 6 x 6 x 3	33428	1	1	8.093	1 11/16	1 11/16	3 7/16
* 6 x 6 x 2 1/2	33430	1	1	7.663	1 7/16	1 7/16	3 7/16
* 6 x 6 x 2	33432	1	1	7.132	1 17/32	1 17/32	3 7/16
* 6 x 6 x 1 1/2	33434	1	6	6.716	15/16	15/16	3 7/16
* 6 x 6 x 1 1/4	33436	1	6	6.454	13/16	13/16	3 7/16
* 6 x 6 x 1	33438	1	6	6.168	11/16	11/16	3 7/16
* 6 x 6 x 3/4	33440	1	6	5.885	5/8	5/8	3 7/16
* 6 x 6 x 1/2	33441	1	6	5.668	11/32	11/32	3 11/32
* 6 x 4 x 6	33443	1	1	13.252	3 1/8	4 23/32	3 11/16
* 6 x 4 x 4	33446	1	1	10.103	2 13/64	4 3/16	3 7/16
* 8 x 8 x 6	33456	1	1	26.140	3 1/16	3 1/16	4 1/2
* 8 x 8 x 5	33458	1	1	23.380	2 9/16	2 9/16	4 1/2
* 8 x 8 x 4	33460	1	1	20.706	2 1/16	2 1/16	4 9/16
* 8 x 8 x 3	33462	1	1	18.308	1 1/2	1 1/2	4 1/2
* 8 x 8 x 2 1/2	33464	1	1	17.650	1 23/64	1 23/64	4 9/16
* 8 x 8 x 2	33466	1	1	17.199	1 1/16	1 1/16	4 1/2
* 8 x 6 x 6	33468	1	1	25.984	3 1/16	4 1/2	4 1/2

WROT		Baseboard Tee Copper to Female N.P.T. to Copper			CAST 4714-B		
Nominal Size In Inches	Part Number	Box Quantity	Master Pack	Approx. Net Wt.	Dim. A	Dim. B	Dim. C
** 1/2 x 1/8 x 1/2	37852	40	320	0.110	-	-	-
** 1/2 x 1/8 x 3/4	37850	20	160	0.170	-	-	-
** 3/4 x 1/8 x 3/4	37855	35	210	0.186	-	-	-
** 1 x 1/8 x 1	37857	15	90	0.300	-	-	-
** 1 1/4 x 1/8 x 1 1/4	37858	-	45	0.501	-	-	-



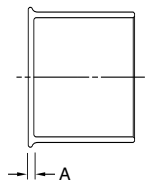
C x F x C

WROT 111-2		Street Tee Copper to Fitting to Copper			CAST		
Nominal Size In Inches	Part Number	Box Quantity	Master Pack	Approx. Net Wt.	Dim. A	Dim. B	Dim. C
1/2	33506	50	500	0.069	3/8	1 1/32	3/8
3/4	33508	25	250	0.147	1/2	1 7/16	15/32



C x FTG. x C

WROT 116		Fitting End Plug For Fitting			CAST	
Nominal Size In Inches	Part Number	Box Quantity	Master Pack	Approx. Net Wt.	Dim. A	
* 3/8	32020	50	1000	0.010	1/16	
1/2	32022	100	1000	0.016	3/32	
3/4	32026	50	500	0.036	1/8	
1	32028	25	250	0.059	5/32	



** Cast Bronze Only

*Factory Option—consult factory for price and delivery information.