

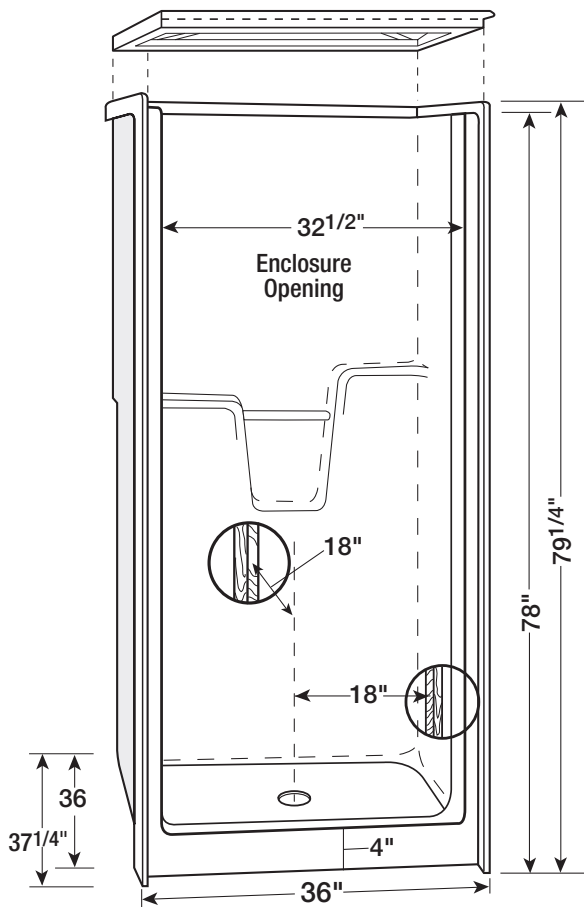
STANDARD FEATURES

1. Seamless extra-heavy-duty construction
2. Composite supporting plate
3. Never leaks or rusts; chip-resistant
4. Stain-resistant gel-coated finish that cleans like magic
5. Warm to the touch
6. Ready-to-plumb construction makes installation easy and quick
7. Anti-slip floor (meets ASTM -462)
8. Acrylic grab bar
9. Target weight = 120±10 pounds

A one-piece shower stall with optional top includes acrylic grab bar and soap ledges across the back wall. Specify with or without top.



Model 36



OPTIONAL FEATURES

- Factory-installed through-bolted curtain rod
- Factory-installed and pre-plumbed pressure-balancing mixing valve
- Additional factory-installed through-bolted flangeless grab bar(s)
- Tempered glass enclosures
- Wide selection of contemporary colors
- Fold-down seat
- Fiber glass top available