



STANDARD FEATURES

1. Meets Federal **ADA** and **ANSI 117** requirements.
2. One-piece construction allows for easy installation
3. Sandwich-Wall Construction
4. Sanitary Ware Gel Coat
5. Full-width soap and shampoo ledge across the back wall
6. Anti-slip floor provides added safety (meets ASTM -462)
7. Clear floor space is 36" x 36"
8. Target weight for 38BF=145±10 pounds

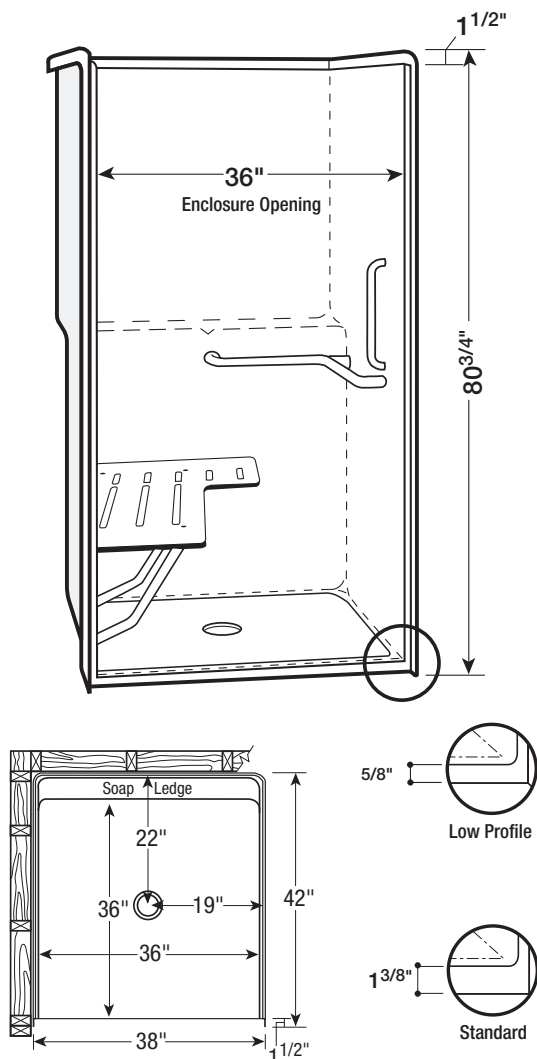
OPTIONAL FEATURES

- Low Profile bottom
- Pre-installed through-bolted curtain rod
- Pre-plumbed and installed pressure-balancing mixing valve with slide bar and hand-held spray
- Removable threshold
- Pre-installed through-bolted flangeless grab bar(s)
- Pre-installed four-legged fold-down seat
- Barrier-free ramp
- Barrier-free splash guard

This **ADA** and **ANSI 117** compliant shower stall is designed for assisted living applications and is specifically suited for apartments, condominium projects, and retirement centers, as well as residential applications.



Model 38H1



Model 38H1: Is **ADA** and **ANSI 117** compliant and features a fold-down phenolic seat with stainless steel support tubing, as well as a 1 1/4" diameter "L" shaped stainless steel grab bar and 18" vertical bar as shown above. Please specify Left- or Right- hand plumbing.*

* Because the 38H1 is a transfer shower, the ADA guidelines allow a half-inch threshold.

Model 38BF: Is **ADA** ready, but it does not include a seat or bar. The seat and bar can be added at a later time for **ADA** compliance.**

** Revised **ADA** guidelines allow the installation of a barrier-free shower (no seat and no bar) provided the seat and grab bar can be added later. The two-legged or the four-legged fold-down seat may be installed after the initial construction. Additional backing is required for the fold-down seat; the backing may be added upon request during initial construction or reinforcement may be added after construction.

Low Profile Option: This option brings the threshold height on the 38" transfer shower to 1/2" after the installation of flooring. **However, a 14"X14" area must be blocked out around the drain to allow the drain to sit below the subfloor.**