

MODEL 100H



ADA COMPLIANT

STANDARD FEATURES

1. One-piece construction allows for easy installation
2. Sandwich-Wall Construction
3. Sanitary Ware Gel Coat
4. Anti-slip floor provides added safety (meets ASTM -462)
5. Pre-installed through-bolted flangeless grab bar(s)
6. Pre-installed fold-down seat
7. 44 gallon capacity
8. Floor space is 44½" x 21"
9. Target weight for 100BF=152±10 pounds

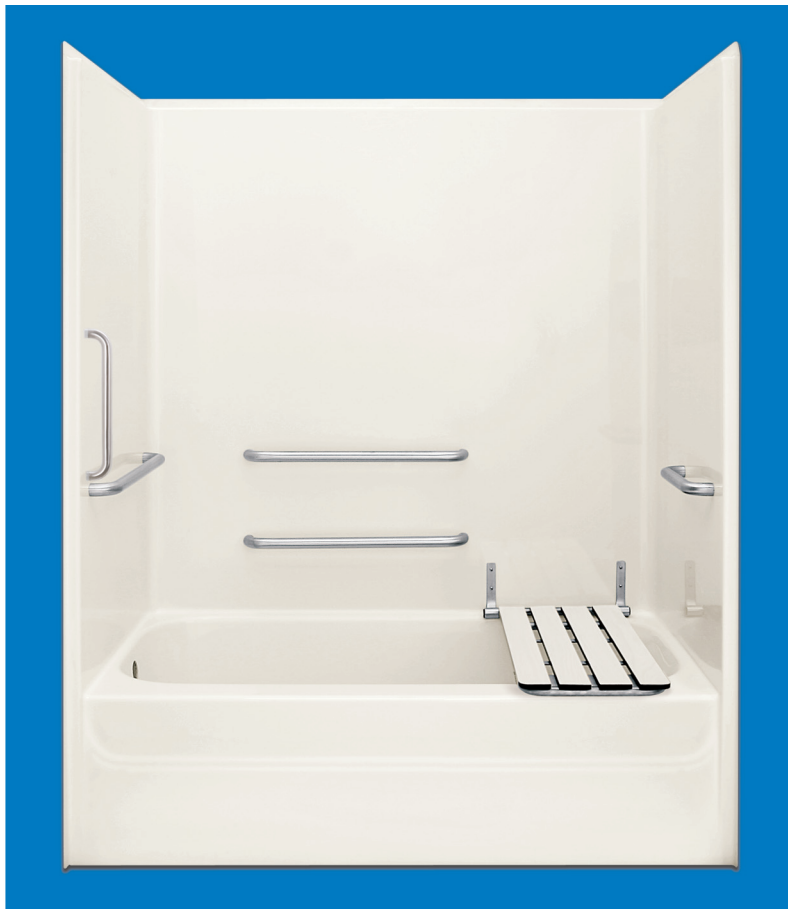
OPTIONAL FEATURES

- Pre-installed through-bolted curtain rod
- Pre-plumbed and installed pressure-balancing mixing valve with slide bar and hand-held spray

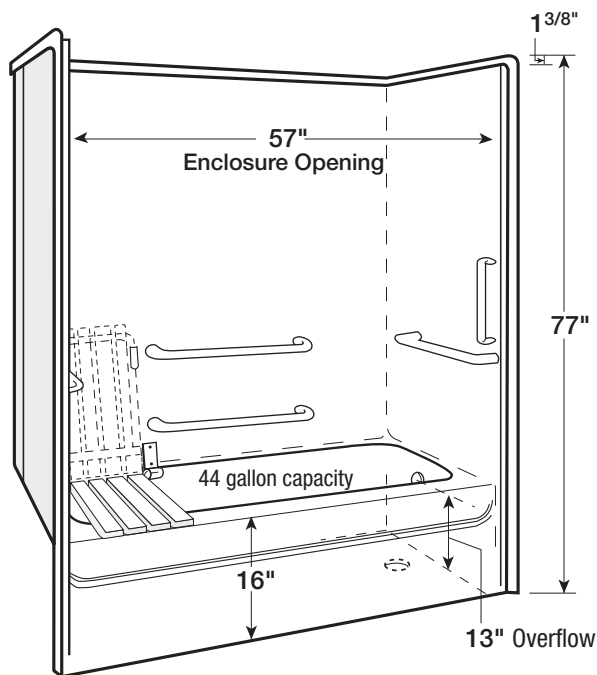
Model 100H includes a fold-down phenolic seat with stainless steel support tubing, as well as five 1¼" diameter stainless steel grab bars. Please specify Left- or Right-hand plumbing.*

* Revised ADA guidelines allow the installation of a barrier-free tub (no seat and no bars) provided the seat and grab bars can be added later.

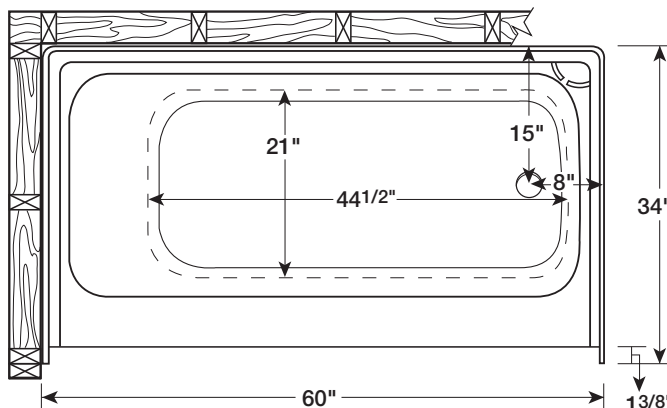
This ADA and ANSI-117 Compliant one-piece handicap tub/shower is designed for assisted living units, apartments, condominium projects and retirement centers.



Model 100H



Also available in 60"x 32" size. Call factory rep for details.



Printed using 100% new wind energy.