

STANDARD FEATURES

This Deluxe, 44-gallon combination tub/shower features a gently sloped backrest for reclining comfort and a clear acrylic safety grab bar for showering.

Extra soap and shampoo ledges are molded in at elbow height when standing in tub, as well as a large soap and shampoo ledge at tub level. An anti-slip floor is included for added safety (Meets ASTM-462).

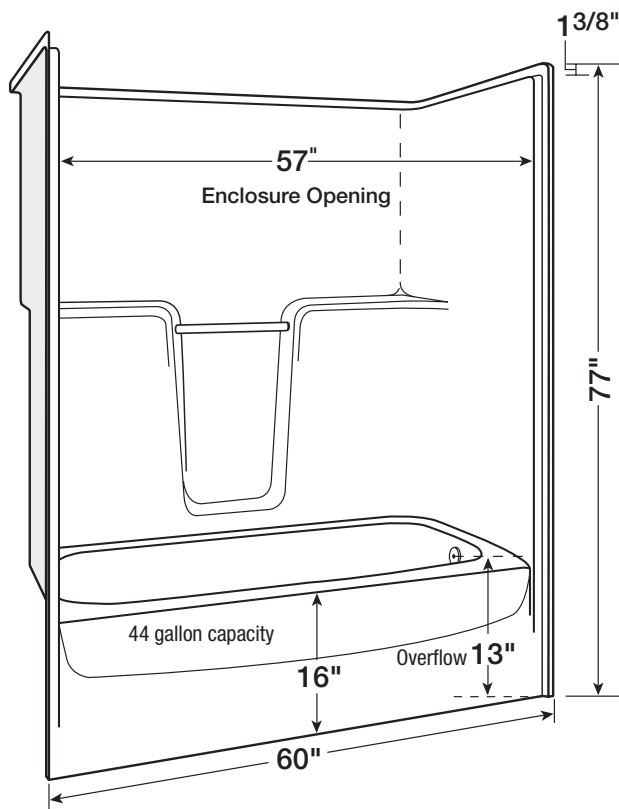
A unique composite support plate is laminated to the bottom for added strength eliminating "flex" or "sponging". Select Left- or Right-hand plumbing.

OPTIONAL FEATURES

- Factory-installed hydro-massage spa package
- Factory-installed through-bolted curtain rod
- Factory-installed and pre-plumbed pressure-balancing mixing valve
- Additional factory-installed through-bolted flangeless grab bar(s)
- Tempered glass enclosures
- Wide selection of contemporary colors



Model 101



NOMINAL DIMENSIONS:

60"W x 36"D x 77"H
 Target Weight: 153 ± 10 lbs.

