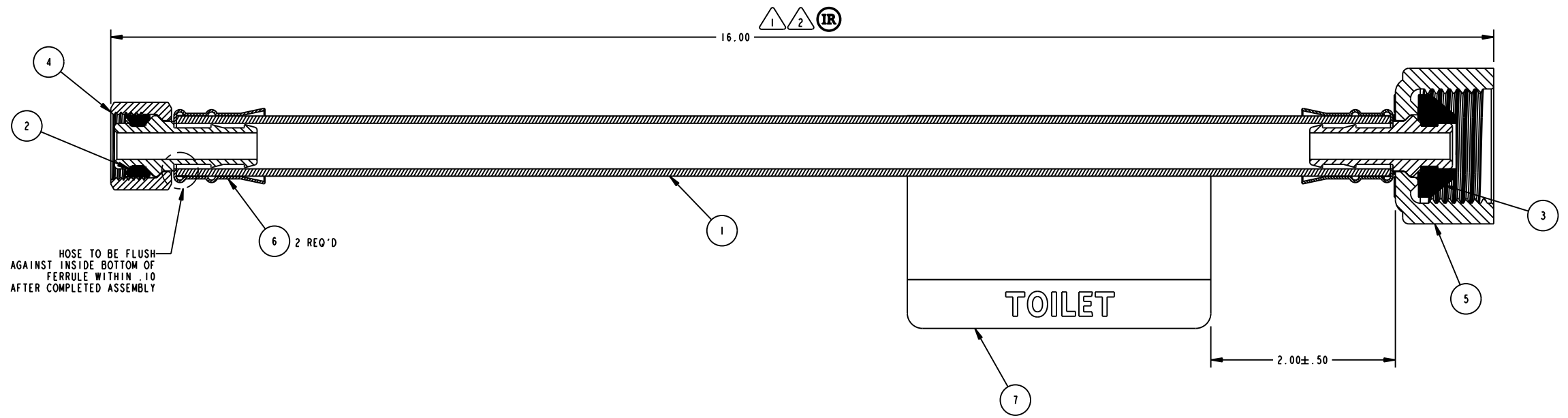


ITEM	QTY	PART NO.	DESCRIPTION
1	1	11000400	HOSE, BRAIDED
2	1	11001800	NIPPLE/WASHER - ASSY.
3	1	11002100	NIPPLE/WASHER - ASSY.
4	1	1-323	NUT, HEX
5	1	1-304	NUT, PLASTIC
6	2	1-306	FERRULE
7	1	IDLABEL_T	LABEL (TOILET)
8	2/25	120F5BIT16	LABEL, 1 2 OF 5
9	1/25	LBIT16	LABEL, SHIPPING
10	1/25	1-917	CARTON, MASTER
11	A/R	TAPE	TAPE

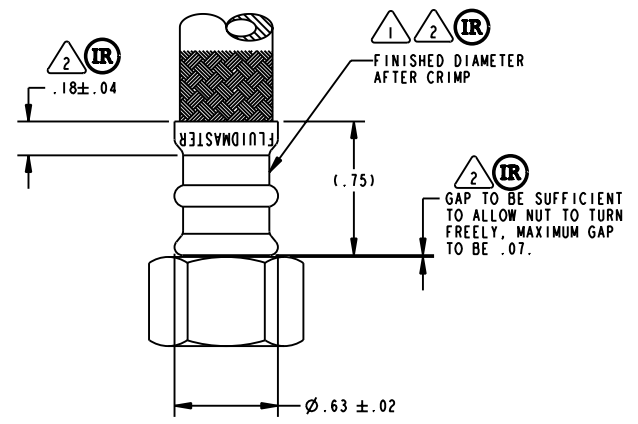
NOTES: UNLESS OTHERWISE SPECIFIED

1 PERFORMANCE, TEST, CRIMP, HOSE CUT LENGTH, AND FINISHED CONNECTOR LENGTH REQUIREMENTS PER FLUIDMASTER SPECIFICATION NUMBER 3 ENG-5135.

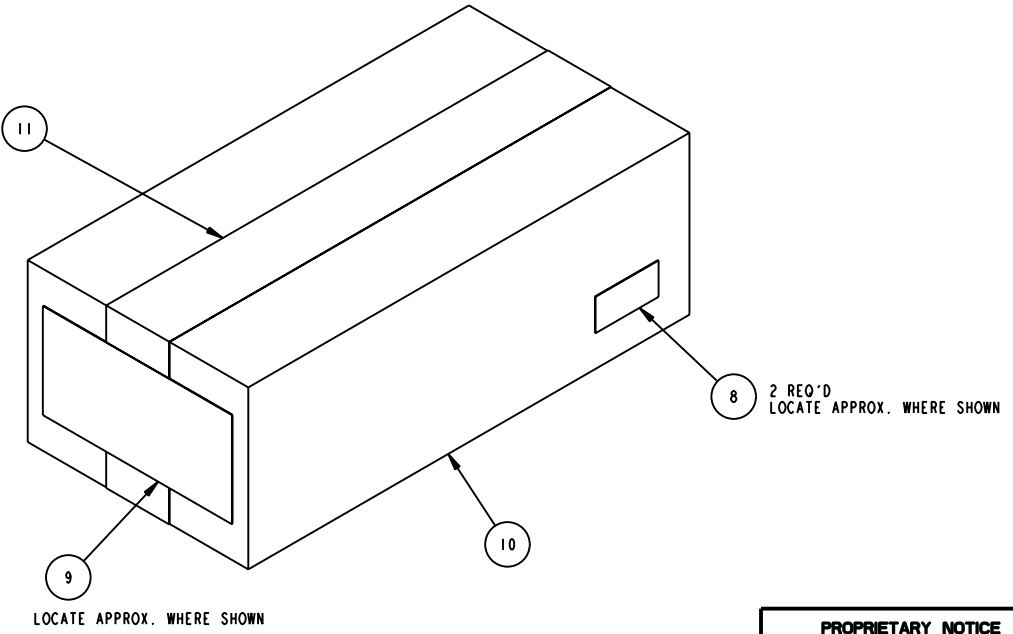
2 INDICATES "PROCESS CONTROL" DIMENSION.



HOSE TO BE FLUSH AGAINST INSIDE BOTTOM OF FERRULE WITHIN .10 AFTER COMPLETED ASSEMBLY



CRIMP DETAIL



REV	ZONE	BY	CHK	APVD	DESCRIPTION	DATE
1		GEH	KG	KG	PRODUCTION RELEASE	09/06/05

DESIGN:	09/06/05	MATERIAL:	SEE DETAIL DRAWINGS AND B.O.M.
ENGINEER:	09/06/05	TITLE:	TOILET CONN. - 16 INCH 7/8" BC X 3/8" COMP (25 PACK)
USED ON:		WEIGHT (g):	D
NEXT ASSY:		SIZE:	BIT16
		DWG NO.:	BIT16
		SCALE:	NONE
		FILE:	BIT16-1
		SHEET:	1 OF 1

PROPRIETARY NOTICE
ALL INFORMATION CONTAINED IN OR DISCLOSED BY THIS DOCUMENT IS CONSIDERED THE PROPERTY OF, AND PROPRIETARY TO, FLUIDMASTER, INC. ALL DESIGNS, USES, REPRODUCTIONS, AND RIGHTS RELATING TO THIS INFORMATION EXPRESSLY RESERVED. COMMUNICATION OF THIS INFORMATION TO OTHERS IS STRICTLY PROHIBITED WITHOUT PRIOR WRITTEN CONSENT.

UNLESS OTHERWISE SPECIFIED ALL DIMENSIONS ARE IN INCHES INTERPRET DIM AND TOL PER ASME Y14.5M DO NOT SCALE DRAWING
THIRD ANGLE PROJECTION

